



**Have a Question?**  
 Chat with a Product Information Specialist

What can we help you find?

[Products](#) | 
 [Industries](#) | 
 [Resources](#) | 
 [About TE](#) | 
 [My Account](#) | 
 [Innovation](#) | 
 [Support Center](#)

## 203618-1 Product Details

[Share](#) | 
 [Print](#) | 
 [Email](#)



**203618-1**

TE Internal Number: 203618-1

Active

View 3D PDF

### M Series Connectors

Always EU RoHS/ELV Compliant (Statement of Compliance)

#### Product Highlights:

- Product Series = M Series
- Hardware
- Hardware Type = Jackscrew Kit
- Jackscrew Type = Turnable
- Jackscrew Style = Short

[View all Features](#)

### Quick Links

- ▶ [Pricing & Availability](#)
- ▶ [Search for Tooling](#)
- ▶ [Product Feature Selector](#)
- ▶ [Contact Us About This Product](#)

[Add to My Part List](#) | 
 [Request Sample](#) | 
 [Find Similar Products](#) | 
 [Buy Product](#)

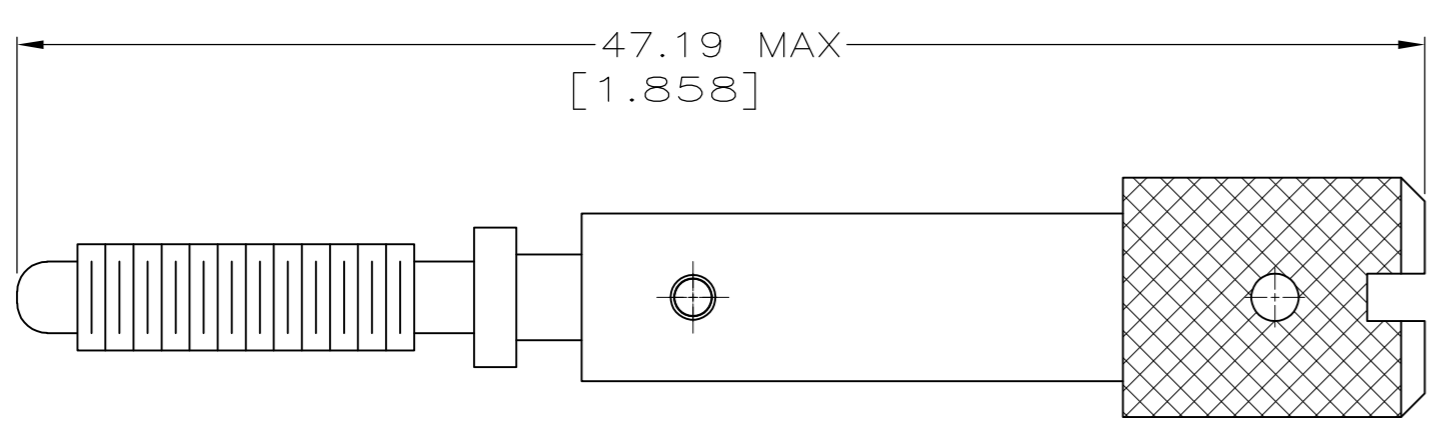
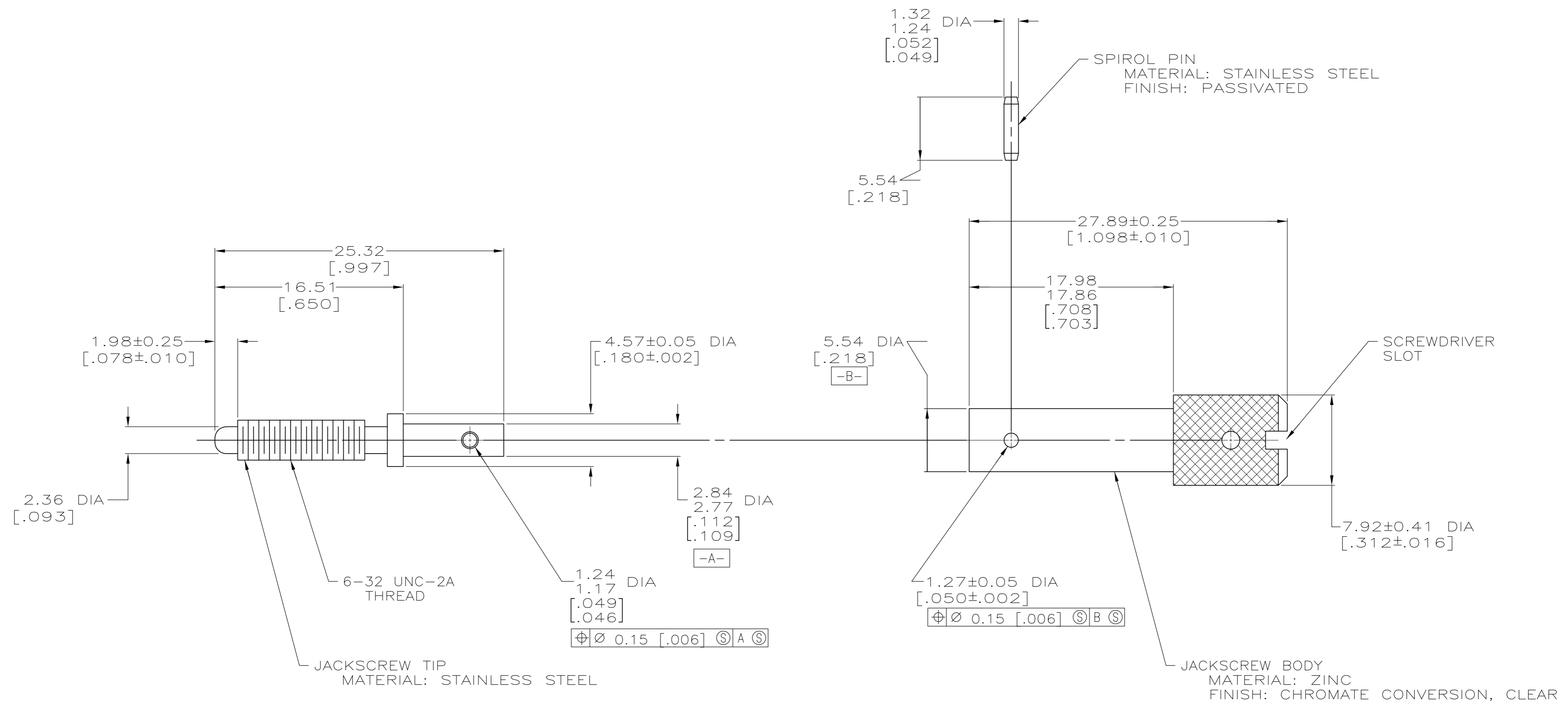
Documentation & Additional Information	
<p><b>Product Drawings:</b></p> <ul style="list-style-type: none"> <li>• <a href="#">MALE JACKSCREW KIT, UNASSEMBLED, SHORT FOR GROUNDING...</a> (PDF, English)</li> </ul> <p><b>Catalog Pages/Data Sheets:</b></p> <ul style="list-style-type: none"> <li>• <a href="#">M_SERIES_PIN_AND_SOCKET_CONNECTORS</a> (PDF, English)</li> </ul> <p><b>Product Specifications:</b></p> <ul style="list-style-type: none"> <li>• None Available</li> </ul> <p><b>Application Specifications:</b></p> <ul style="list-style-type: none"> <li>• None Available</li> </ul> <p><b>Instruction Sheets:</b></p> <ul style="list-style-type: none"> <li>• None Available</li> </ul> <p><b>CAD Files:</b> (<a href="#">CAD Format &amp; Compression Information</a>)</p> <ul style="list-style-type: none"> <li>• <a href="#">2D Drawing</a> (DXF, Version E)</li> <li>• <a href="#">3D Model</a> (IGES, Version E)</li> <li>• <a href="#">3D Model</a> (STEP, Version E)</li> </ul>	<p><b>Additional Information:</b></p> <ul style="list-style-type: none"> <li>• <a href="#">Product Line Information</a></li> </ul> <p><b>Related Products:</b></p> <ul style="list-style-type: none"> <li>• <a href="#">Tooling</a></li> </ul>

[List all Documents](#)

Product Features (Please use the Product Drawing for all design activity)	
<p><b>Product Type Features:</b></p> <ul style="list-style-type: none"> <li>• Product Series = M Series</li> <li>• <a href="#">Product Type</a> = Hardware</li> <li>• <a href="#">Jackscrew Type</a> = Turnable</li> <li>• Thread Size = 6-32 [M3.5 x 0.6]</li> <li>• Strain Relief = Without</li> <li>• Sealed = No</li> </ul> <p><b>Mechanical Attachment:</b></p> <ul style="list-style-type: none"> <li>• Hardware Type = Jackscrew Kit</li> <li>• <a href="#">Mounting Hardware</a> = Jackscrew Tip Male and Spirol Pin</li> </ul> <p><b>Dimensions:</b></p> <ul style="list-style-type: none"> <li>• Length (X-Axis) (mm [in]) = 47.19 [1.858]</li> <li>• Width (Z-Axis) (mm [in]) = 7.92 [0.312]</li> <li>• Profile Height (Y-Axis) (mm [in]) = 7.92 [0.312]</li> </ul> <p><b>Body Features:</b></p> <ul style="list-style-type: none"> <li>• Jackscrew Style = Short</li> <li>• Mating Retention = Without</li> <li>• Jackscrew Material = Zinc Alloy</li> <li>• Jackscrew Coating = Clear Chromate</li> </ul>	<p><b>Housing Features:</b></p> <ul style="list-style-type: none"> <li>• Mating Alignment = Without</li> </ul> <p><b>Industry Standards:</b></p> <ul style="list-style-type: none"> <li>• <a href="#">RoHS/ELV Compliance</a> = RoHS compliant, ELV compliant</li> <li>• <a href="#">Lead Free Solder Processes</a> = Not relevant for lead free process</li> <li>• RoHS/ELV Compliance History = Always was RoHS compliant</li> </ul> <p><b>Conditions for Usage:</b></p> <ul style="list-style-type: none"> <li>• For Use With = Female Jackscrew Assembly</li> </ul> <p><b>Packaging Features:</b></p> <ul style="list-style-type: none"> <li>• Packaging Method = Bag</li> <li>• Packaging Quantity = 100</li> </ul> <p><b>Other:</b></p> <ul style="list-style-type: none"> <li>• Brand = AMP</li> <li>• Comment = Two required.; Use turnable jackscrews on mating housings when mating to grounding block.</li> </ul>

THIS DRAWING IS UNPUBLISHED. RELEASED FOR PUBLICATION  
 © COPYRIGHT BY TYCO ELECTRONICS CORPORATION. ALL INTERNATIONAL RIGHTS RESERVED.

LOC	DIST	REVISIONS					
BD	36	P	LTR	DESCRIPTION	DATE	DWN	APVD
		F		REV PER ECO 09-024542	03NOV09	JR	GS



ASSEMBLED VIEW

ASSEMBLY	203618-2
BULK	203618-1
PACKAGING	PART NUMBER

THIS DRAWING IS A CONTROLLED DOCUMENT.		DWN	06 DEC 95	Tyco Electronics Corporation Harrisburg, PA 17105-3608							
DIMENSIONS: MM [INCHES]		CHK	15 DEC 95								
TOLERANCES UNLESS OTHERWISE SPECIFIED:		APVD	18 JAN 96								
0 PLC ± - 1 PLC ± - 2 PLC ± 0.13 [.005] 3 PLC ± - 4 PLC ± - ANGLES ± - FINISH -		NAME	G.STEINHAUER								
MATERIAL		PRODUCT SPEC		MALE JACKSCREW KIT, UNASSEMBLED, SHORT FOR GROUNDING CONN, M SERIES							
		APPLICATION SPEC									
		WEIGHT	-	SIZE	A2	CAGE CODE	00779	DRAWING NO	C=203618	RESTRICTED TO	-
		CUSTOMER DRAWING		SCALE	4:1	SHEET	1 of 1	REV	F		