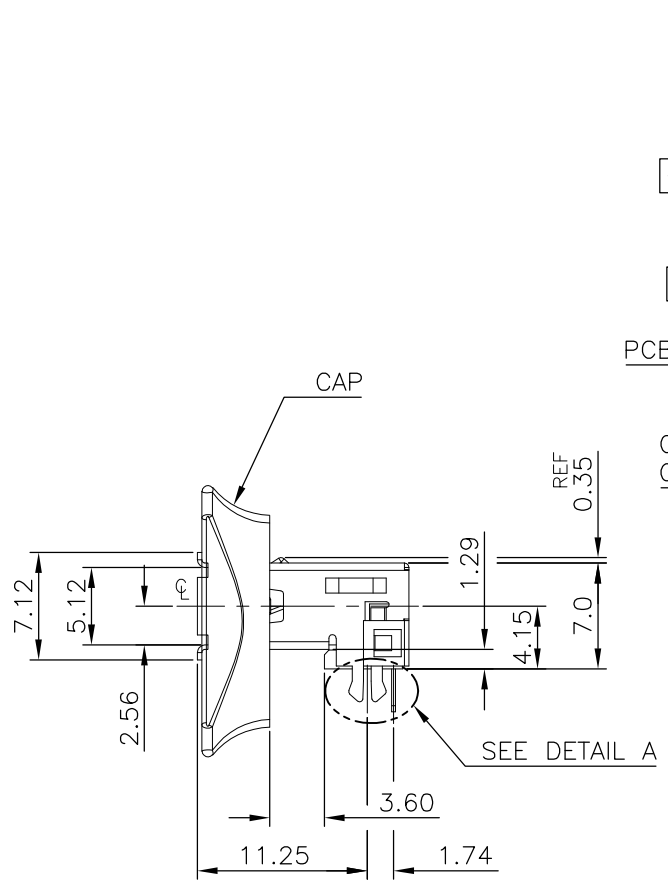
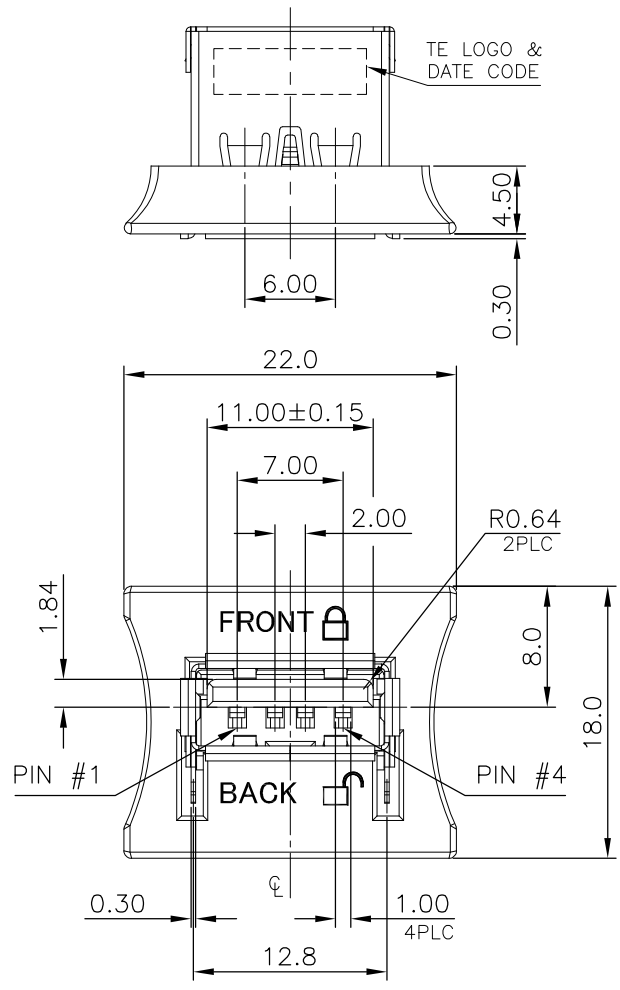
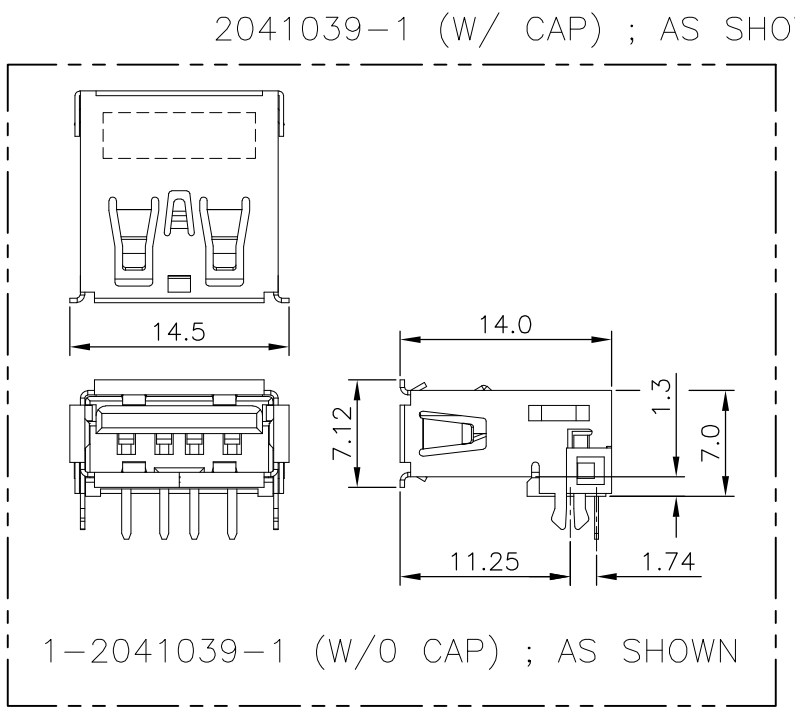


THIS DRAWING IS UNPUBLISHED. RELEASED FOR PUBLICATION  
 © COPYRIGHT - BY - ALL RIGHTS RESERVED.

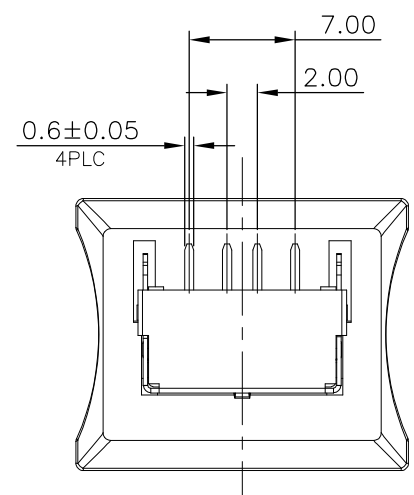
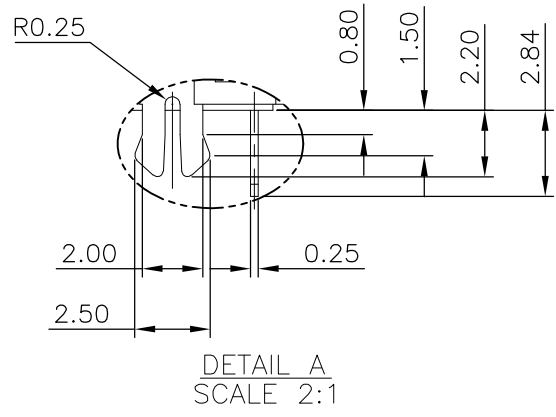
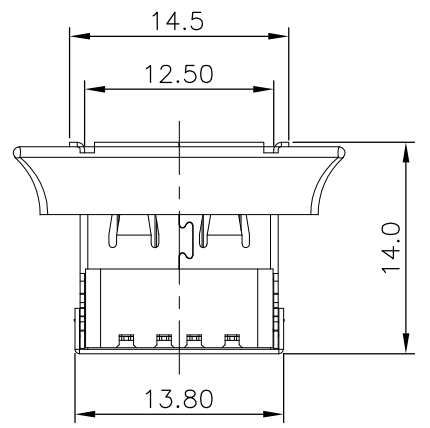
LOC	DIST	REVISIONS					
DW		P	LTR	DESCRIPTION	DATE	DWN	APVD
			B2	REVISED PER ECO-11-005301	11APR11	RK	HMR



RECOMMENDED P.C.B LAYOUT  
 TOP VIEW, TOLERANCE: ±0.05



- NOTES:
- MATERIAL:  
 HOUSING: THERMOPALASTIC (PA6T), HIGH TEMP, UL94 V-0, COLOR: BLACK(426C)  
 CAP(OPTION): THERMOPALASTIC (PA66), HIGH TEMP, UL94 V-0, COLOR: BLUE(661C)  
 CONTACTS: PHOSPHOR BRONZE  
 SHELL: BRASS
  - FINISH:  
 CONTACTS: GOLD PLATED (SEE TABLE) ON CONTACT AREA  
 2.54µm [100µ"] MIN. BRIGHT-TIN PLATED ON SOLDER TAILS  
 1.27µm [50µ"] MIN. NICKEL UNDERPLATED OVERALL  
 SHELL: 1.27µm [50µ"] MIN. NICKEL PLATED OVERALL
  - RECOMMENDED PCB THICKNESS: 1.6mm
  - WAVE SOLDER CAPABLE TO 265° PER TE CONNECTIVITY SPEC. 109-202, CONDITION B



2.1 g	W/O	0.381µm [15µ"]	1-2041039-1
2.7 g	W/	0.762µm [30µ"]	2041039-2
2.7 g	W/	0.381µm [15µ"]	2041039-1
WEIGHT	CAP	GOLD PLATING	PART NUMBER

THIS DRAWING IS A CONTROLLED DOCUMENT.		DWN	B. HSING	24NOV2009
DIMENSIONS: MM		CHK	S. CHIEN	24NOV2009
TOLERANCES UNLESS OTHERWISE SPECIFIED:		APVD	W. KODAMA	24NOV2009
0 PLC	± -	NAME		
1 PLC	± 0.3	PRODUCT SPEC		
2 PLC	± 0.2	108-57519		
3 PLC	± 0.15	APPLICATION SPEC		
4 PLC	± -	WEIGHT		
ANGLES	± 3°	SEE TABLE		
MATERIAL	FINISH	CUSTOMER DRAWING		
SEE NOTE	SEE NOTE	SCALE		

**OBSOLETE** TE Connectivity

USB CONNECTOR, A TYPE  
 RECEPTACLE ASSEMBLY, RIGHT ANGLE, DIP TYPE

**NOT the LATEST REVISION**

SIZE	CAGE CODE	DRAWING NO	RESTRICTED TO
A3	00779	C=2041039	
SCALE		SHEET	REV
-		1 OF 2	B2

4

3

2

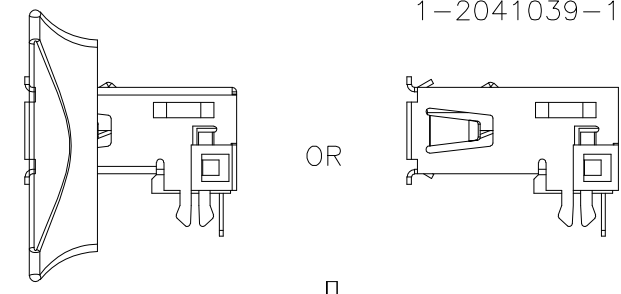
1

THIS DRAWING IS UNPUBLISHED. RELEASED FOR PUBLICATION  
 © COPYRIGHT - BY - ALL RIGHTS RESERVED.

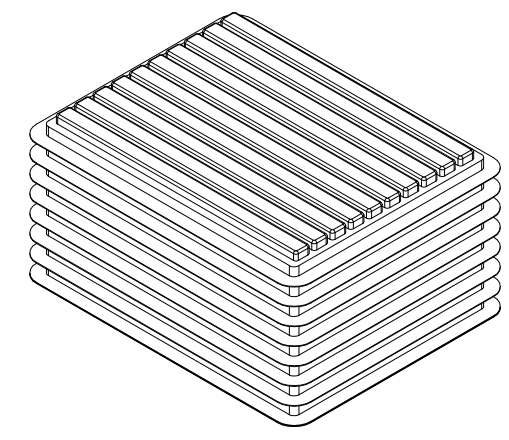
LOC		DIST		REVISIONS				
P	LTR	DESCRIPTION			DATE	DWN	APVD	
		SEE SHEET 1.						

W/ CAP  
 2041039-1  
 2041039-2

(W/O CAP)  
 1-2041039-1

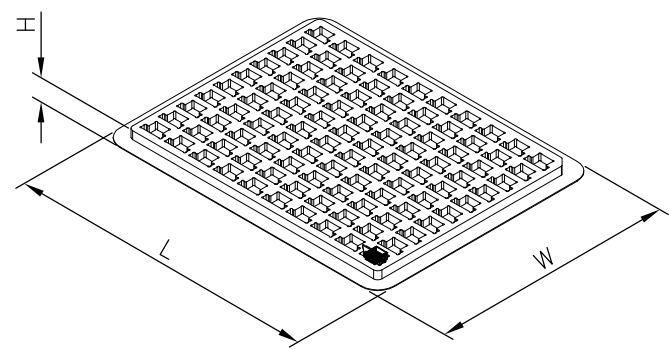


OR

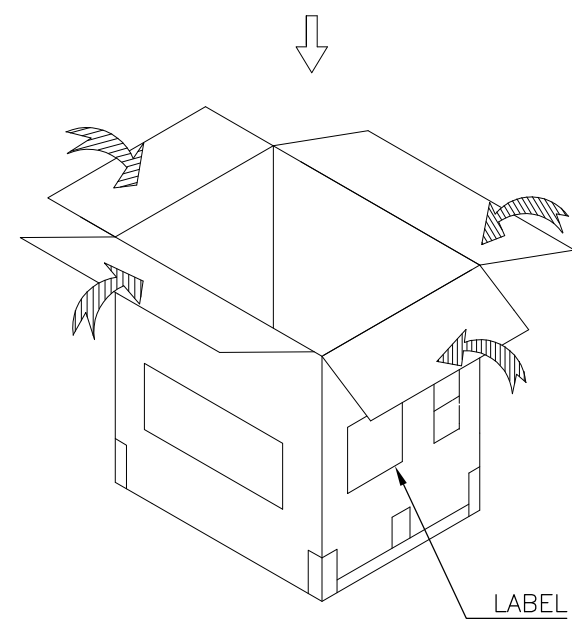


NOTES:

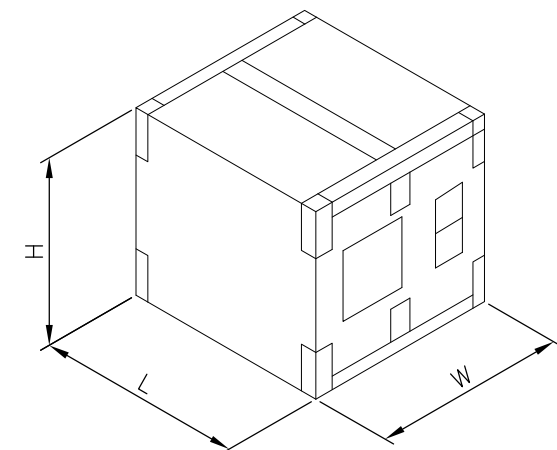
- MATERIAL:  
 TRAY: PVC  
 SHIPPING CARTON: CORRUGATED FIBERBOARD
- DIMENSION:  
 TRAY: L=320, W=250, H=18.  
 SHIPPING BOX: L=330, W=260, H=165.
- QUANTITY: SEE TABLE
- SHIPPING BOX WEIGHT: SEE TABLE



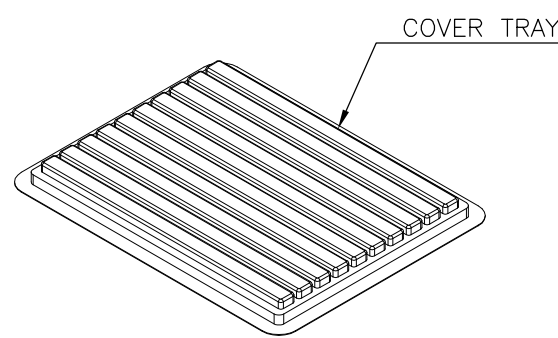
TRAY



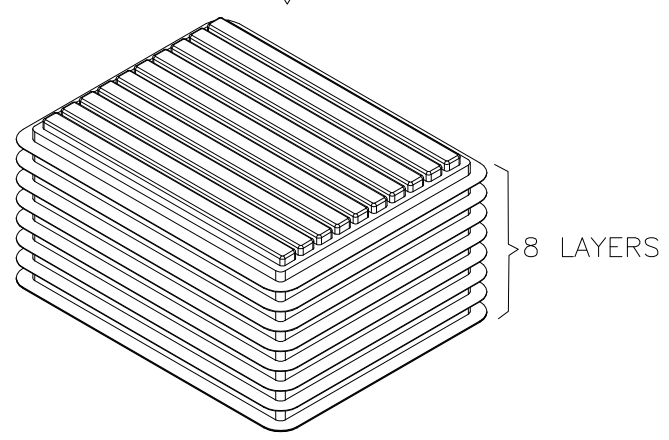
SHIPPING BOX



SHIPPING BOX



COVER TRAY



8 LAYERS

W/O CAP	2.68KG	1.68KG	100	8	800	1-2041039-1
W/ CAP	3.16KG	2.16KG				2041039-2
						2041039-1
NOTE	GROSS WEIGHT	NET WEIGHT	PCS /TRAY	TRAY /BOX	PCS /BOX	PART NUMBER

THIS DRAWING IS A CONTROLLED DOCUMENT.		DWN	TE Connectivity			
DIMENSIONS: MM		CHK				
TOLERANCES UNLESS OTHERWISE SPECIFIED: 0 PLC ± - 1 PLC ± - 2 PLC ± - 3 PLC ± - 4 PLC ± - ANGLES ± -		APVD	USB CONNECTOR, A TYPE RECEPTACLE ASSEMBLY, RIGHT ANGLE, DIP TYPE			
MATERIAL		PRODUCT SPEC	SIZE	CAGE CODE	DRAWING NO	RESTRICTED TO
FINISH		APPLICATION SPEC	A3	00779	C=2041039	-
		WEIGHT	CUSTOMER DRAWING		SCALE	SHEET 2 OF 2
						REV B2