

THIS DRAWING IS UNPUBLISHED.

RELEASED FOR PUBLICATION

© COPYRIGHT 2010 BY TYCO ELECTRONICS CORPORATION. ALL RIGHTS RESERVED.

LOC DW DIST

REVISIONS

P	LTR	DESCRIPTION	DATE	DWN	APVD
B	(ECR-10-024953)		11JAN'11	E.L.	W.K.

NOTE:

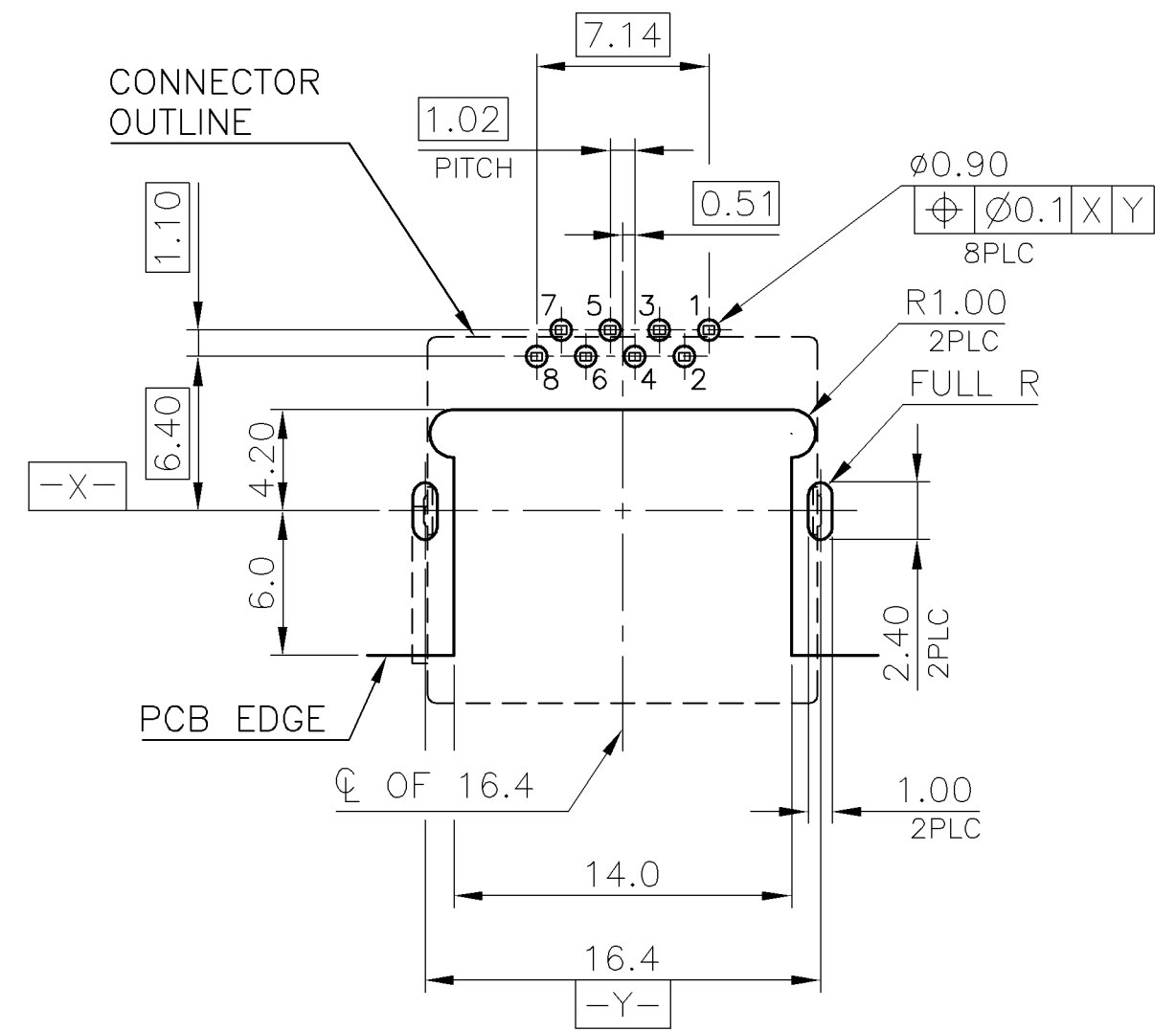
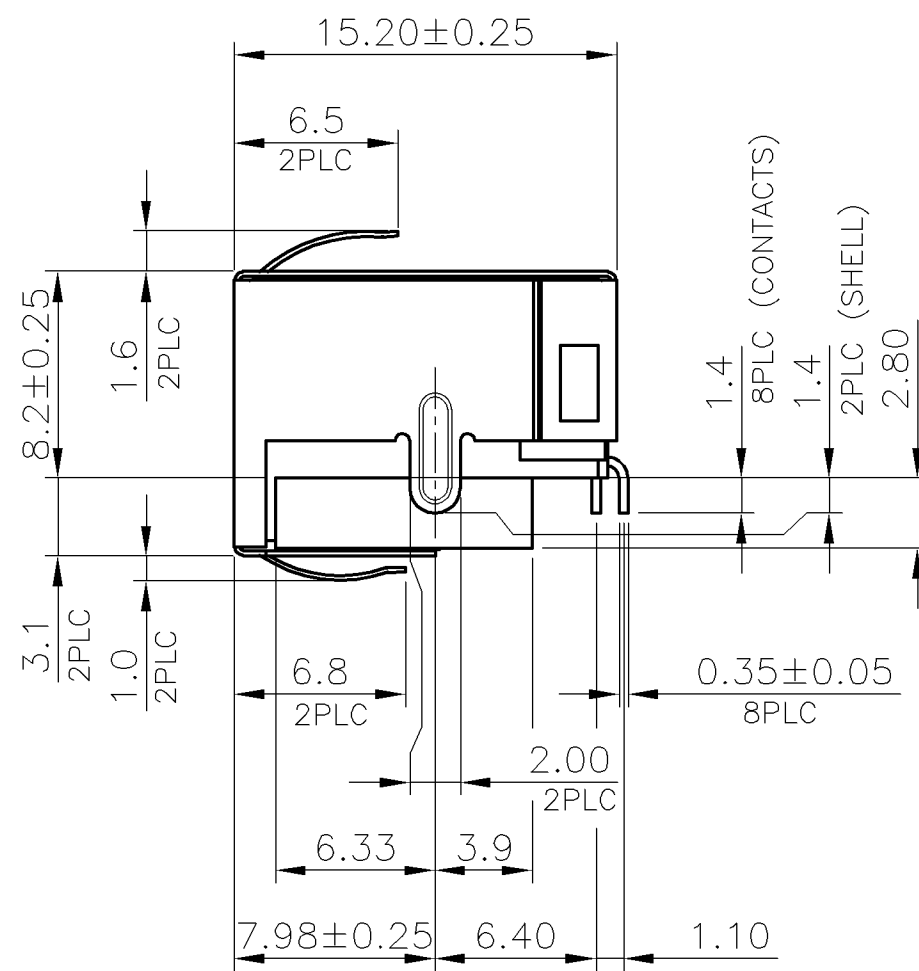
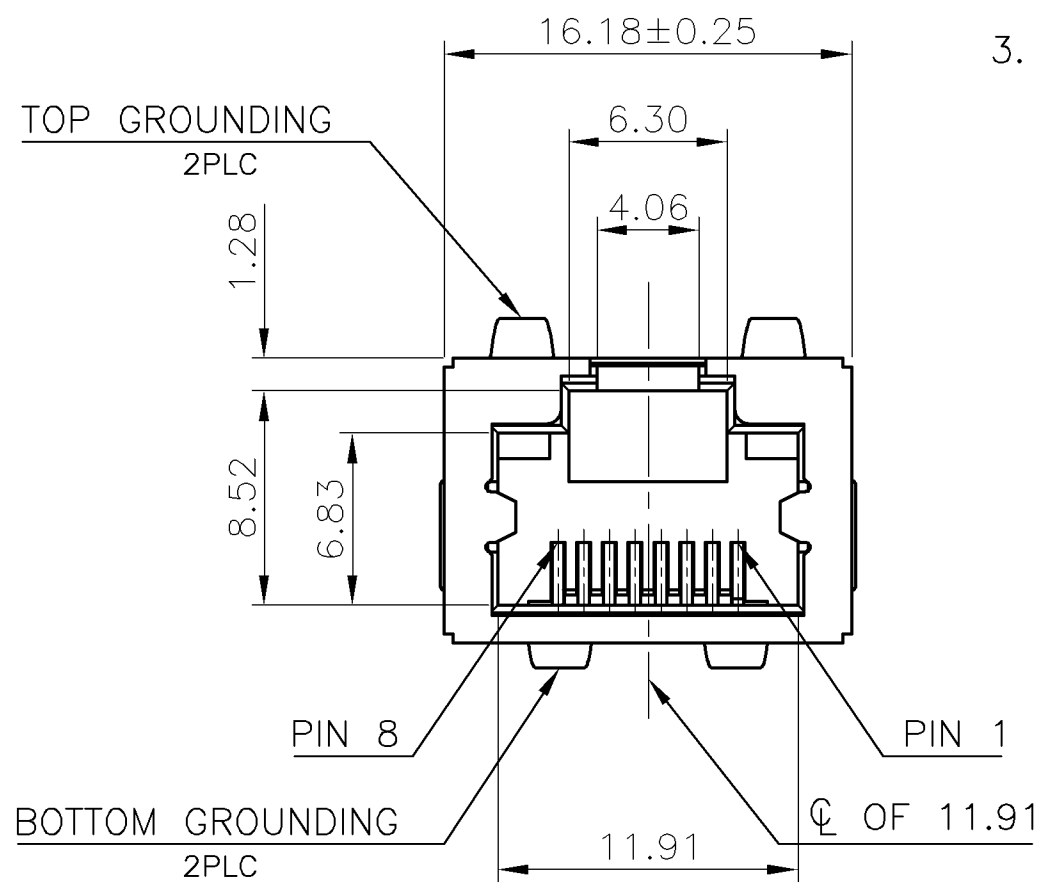
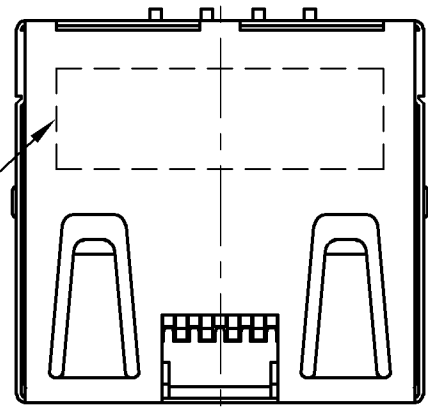
1. MATERIAL:

- 1.1 HOUSING: PA9T WITH 30% GF, UL94 V-0, COLOR: BLACK.
- 1.2 INSERT HOUSING: PA9T WITH 30% GF, UL94 V-0, COLOR: BLACK.
- 1.3 CONTACTS: PHOSPHOR BRONZE.
- 1.4 SHELL: BRASS.
- 1.5 MYLAR: PI, THICKNESS=0.07mm, COLOR: YELLOW

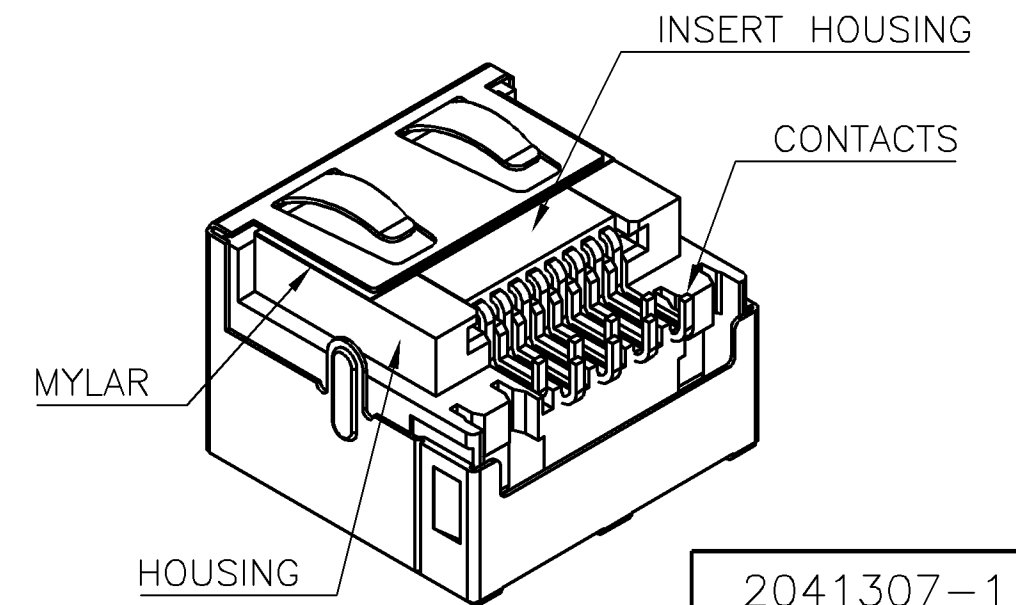
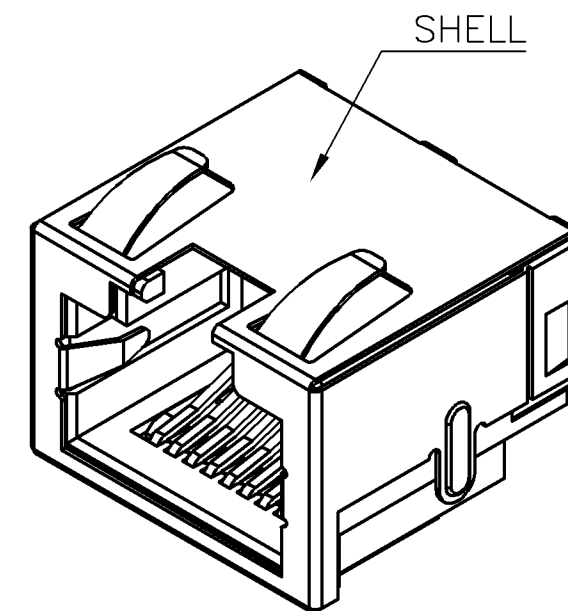
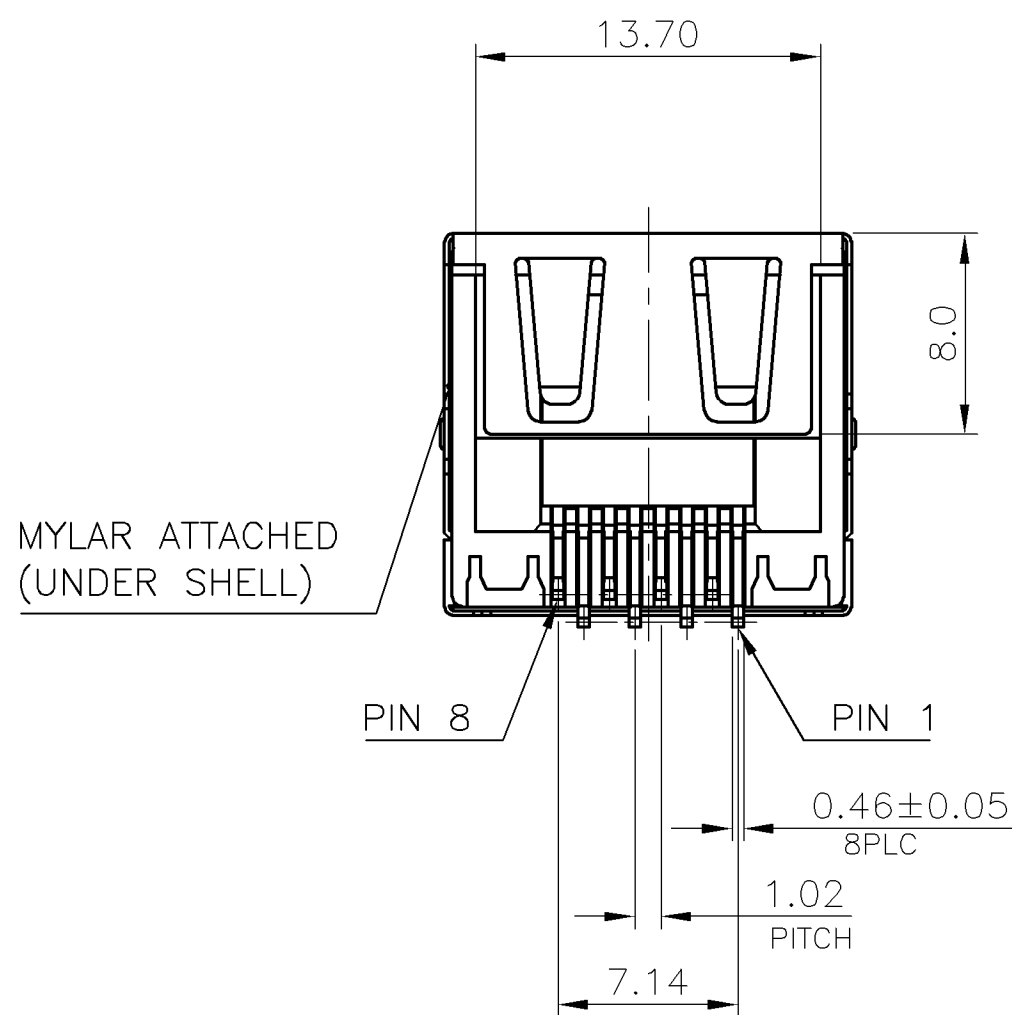
2. FINISH:

- 2.1 CONTACTS: 0.152um [6u"] MIN. GOLD PLATED ON CONTACT AREA.
GOLD FLASH ON SOLDER TAIL.
1.27um [50u"] MIN. NICKEL UNDERPLATED OVERALL.
 - 2.2 SHELL: 0.508um [20u"] MIN. NICKEL PLATED OVERALL.
3. WAVE SOLDER CAPABLE TO 265°C PER TE SPEC 109-202, CONDITION B.

TE LOGO & DATE CODE



RECOMMENDED PCB LAYOUT (COMPONENT SIDE)
TOLERANCE: ±0.05
PCB THICKNESS: 1.2mm



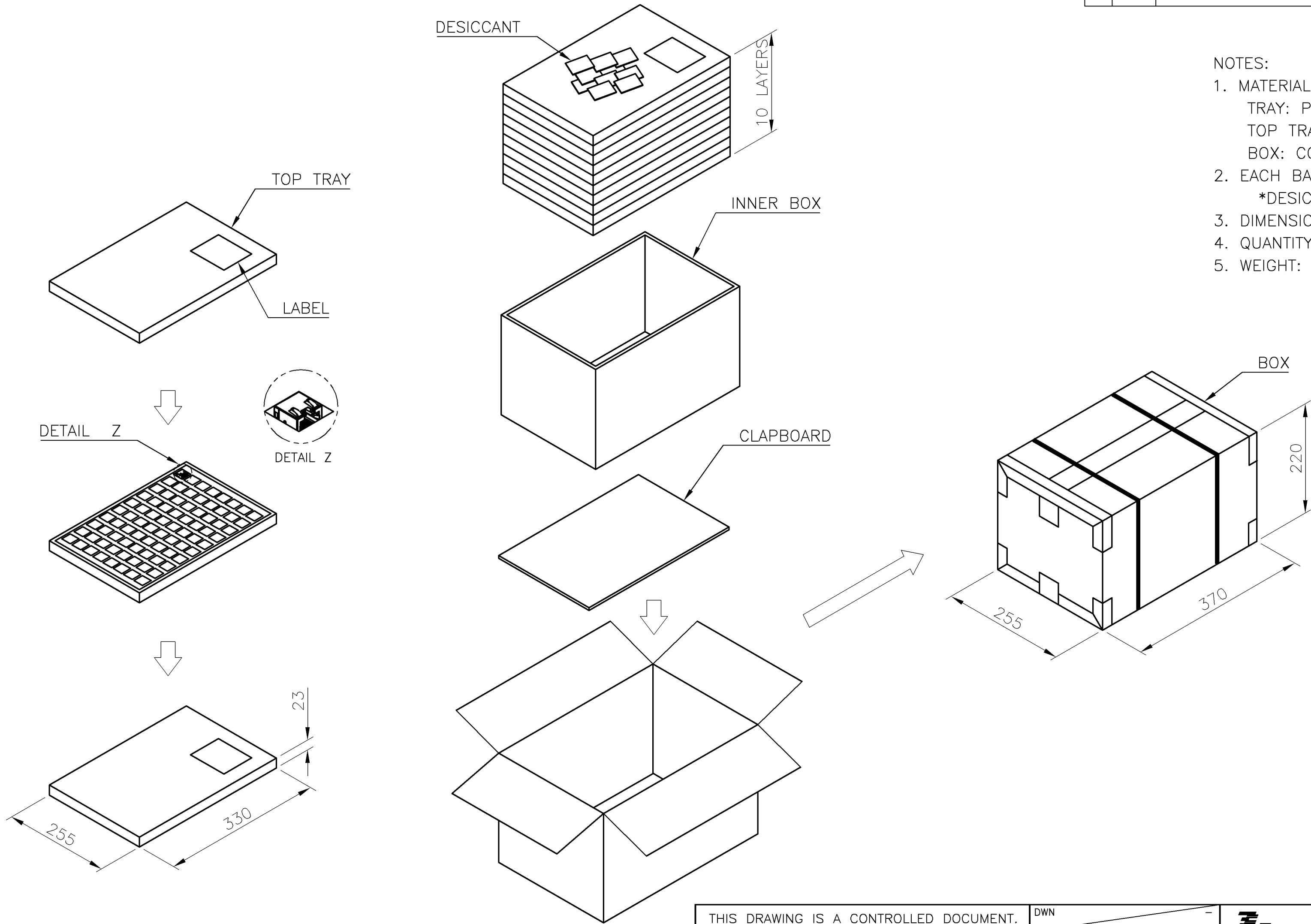
2041307-1
PART NUMBER

THIS DRAWING IS A CONTROLLED DOCUMENT.		DWN E. LIU 10JAN2011	Tyco Electronics Corporation Taipei, Taiwan	
DIMENSIONS: mm		CHK S. CHIEN 10JAN2011	NAME	
TOLERANCES UNLESS OTHERWISE SPECIFIED:		APVD W. KODAMA 10JAN2011	PRODUCT SPEC	
0 PLC ± -		108-57847		
1 PLC ± 0.3		APPLICATION SPEC		
2 PLC ± 0.2		SIZE CAGE CODE DRAWING NO RESTRICTED TO		
3 PLC ± 0.15		A3 00779 C=2041307		
4 PLC ± -		SCALE SHEET 1 OF 2 REV B		
ANGLES ± 3'		CUSTOMER DRAWING		
MATERIAL SEE NOTE		FINISH SEE NOTE		
WEIGHT 2.91 GRAMS		SCALE SHEET 1 OF 2 REV B		

THIS DRAWING IS UNPUBLISHED. RELEASED FOR PUBLICATION
 © COPYRIGHT 2010 BY TYCO ELECTRONICS CORPORATION. ALL RIGHTS RESERVED.

LOC	DIST	REVISIONS				
P	LTR	DESCRIPTION	DATE	DWN	APVD	
		SEE SHEET 1.				

- NOTES:
- MATERIAL:
 TRAY: PET
 TOP TRAY: PET
 BOX: CORRUGATED FIBER.
 - EACH BAG SHALL BE INCLUDED:
 *DESICCANT
 - DIMENSION: SEE DRAWING
 - QUANTITY: SEE TABLE
 - WEIGHT: SEE TABLE



4.97 Kg	2.33 Kg	80	10	800
GROSS WEIGHT	NET WEIGHT	PCS/TRAY	TRAY/BOX	PCS/BOX

THIS DRAWING IS A CONTROLLED DOCUMENT.		DWN	Tyco Electronics Corporation Taipei, Taiwan		
DIMENSIONS: mm		CHK	NAME		
TOLERANCES UNLESS OTHERWISE SPECIFIED:		APVD	MODULAR JACK CONNECTOR RJ45 WITHOUT LED, TAB UP, SIDE ENTRY OFFSET, DIP TYPE, H=8.2mm		
0 PLC ± -		PRODUCT SPEC	SIZE	CAGE CODE	DRAWING NO
1 PLC ± 0.3		APPLICATION SPEC	A3	00779	C=2041307
2 PLC ± 0.2		WEIGHT	RESTRICTED TO		
3 PLC ± 0.15		CUSTOMER DRAWING	SCALE	SHEET	REV
4 PLC ± -			-	2 OF 2	B
ANGLES ± 3°					
MATERIAL					
FINISH					