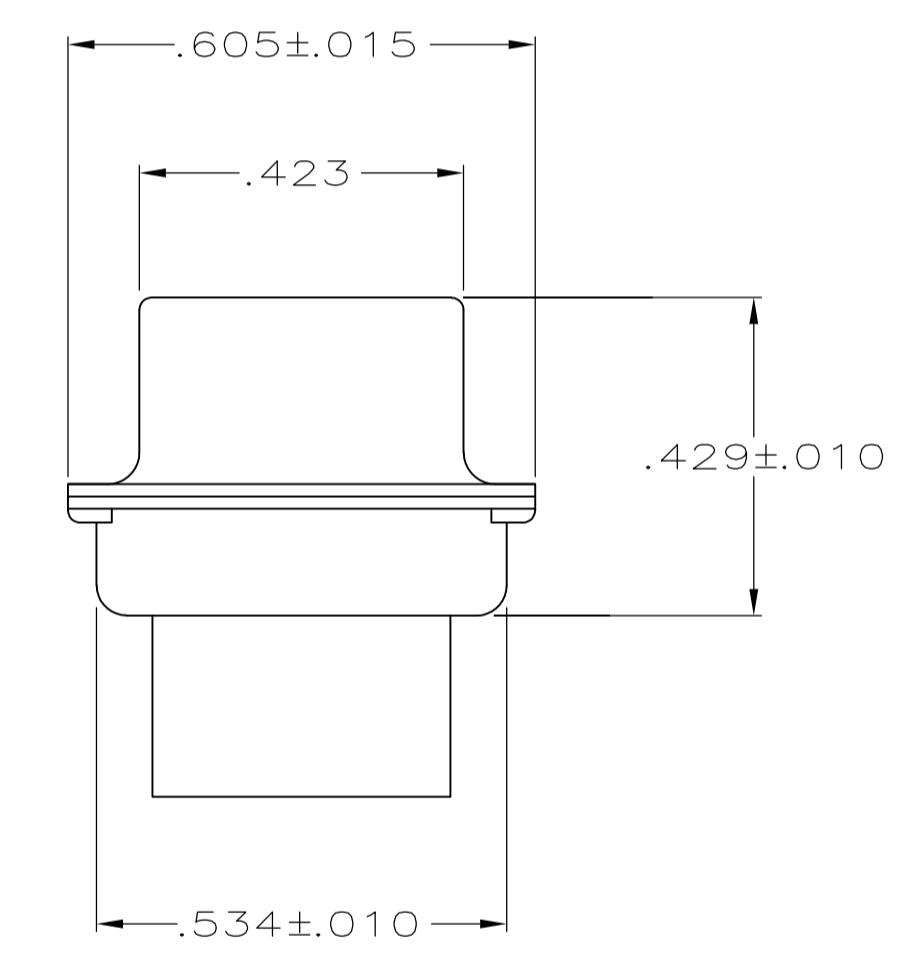
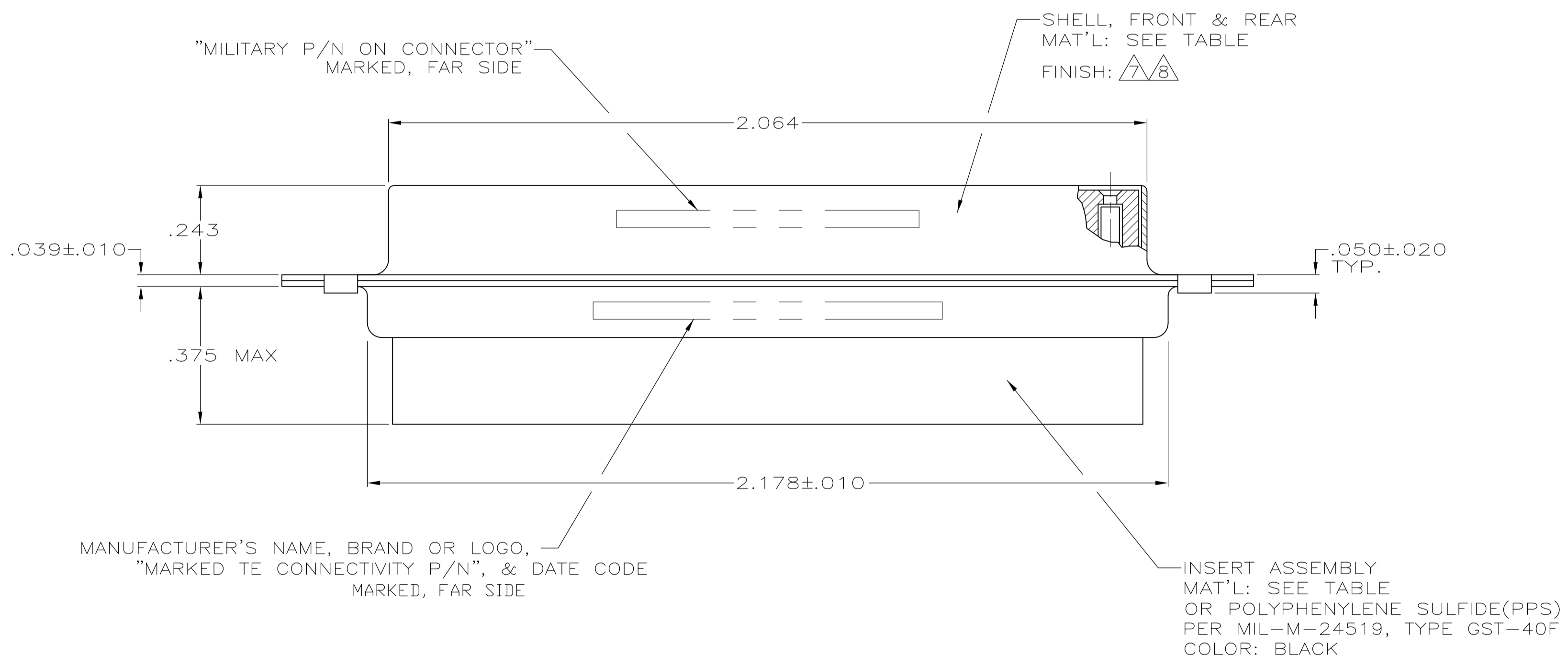
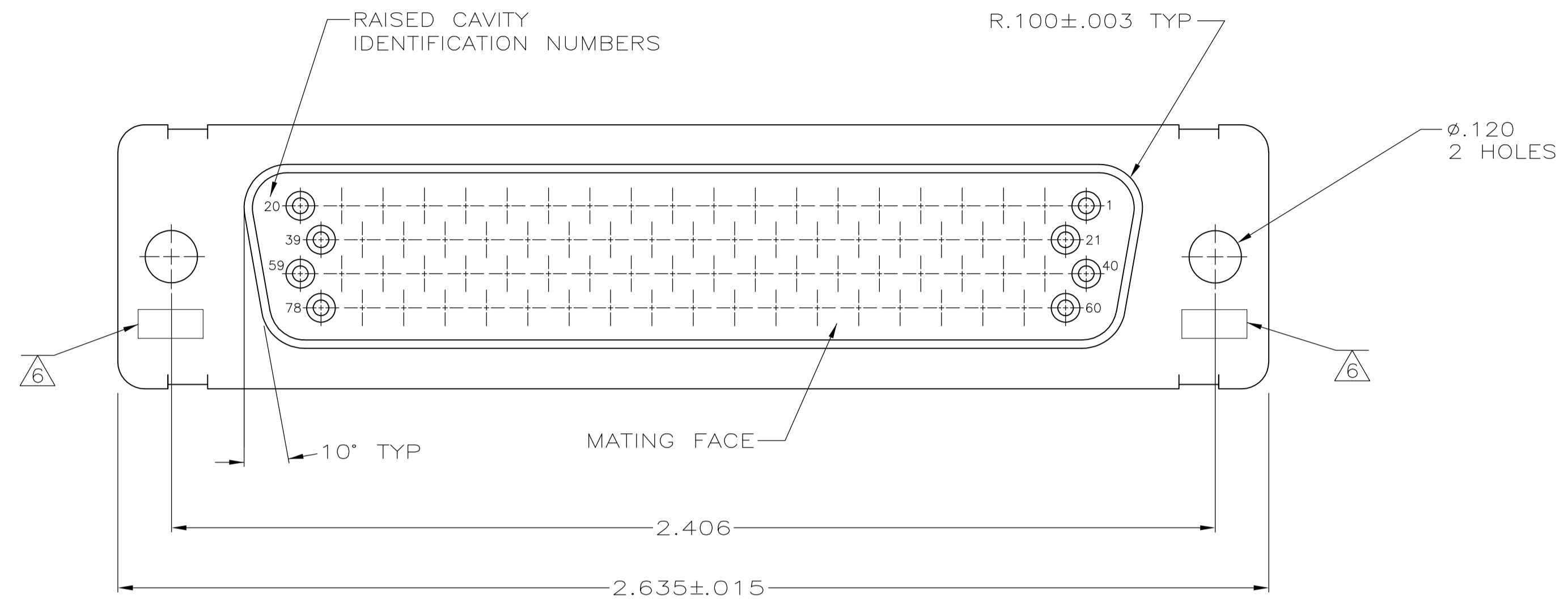


LOC	DIST	REVISIONS			
DF	DO	REV	DESCRIPTION	DATE	BY
T		1	REVISED PER ECO-11-017604	10NOV11	PY RL

- THIS RCPT. IS DESIGNED TO CONFORM TO THE LATEST ISSUE OF MIL-C-24308.
  - MAX WIRE INSUL TO BE USED WITH THIS RCPT IS .054 DIA.
  - METAL RETENTION CLIPS ARE INCLUDED IN INSERTS.
  - THIS RCPT. WILL ACCEPT SIZE 22 SOCKET CONTACT M39029/57-354 OR ANY TYCO HDD-22 SOCKET CONTACT. CONTACTS ORDERED SEPARATELY.
- ⑤ MFG'S PART NO. MARKED ON CONNECTOR REPRESENTS KIT NUMBER WITH CONTACTS.
  - ⑥ UL/CSA DESIGNATION STAMPED IN THIS AREA, OPTIONAL.
  - ⑦ FINISH: CADMIUM PER QQ-P-416.
  - ⑧ FINISH: BRIGHT TIN PER ASTM-B-545 .000400-.000550 THK OVER COPPER PER AMS2418 .000050 MIN THK.



MILITARY P/N ON PACKAGE	MILITARY P/N ON CONNECTOR	MFG'S P/N ON CONNECTOR	REMARKS	SHELL FINISH	SHELL MAT'L	INSERT MAT'L	PART NO.
-	-	204508-5	-	⑧	STEEL, CLASS G	POLYPHENYLENE SULFIDE(PPS) PER MIL-M-24519, TYPE GST-40F COLOR: BLACK	204508-5
SUPSD BY 204508-1	-	-	-	-	STEEL, CLASS G	PHENOLIC COLOR: BLACK	204508-3
SUPSD BY 206505-4	-	-	-	-	BRASS	DIALLYL PATHALATE COLOR: BLUE	204508-2
M24308/2-290F	M24308/2-15F	204520-2	⑤	⑦	STEEL, CLASS G	POLYPHENYLENE SULFIDE(PPS) PER MIL-M-24519, TYPE GST-40F COLOR: BLACK	204508-1

THIS DRAWING IS A CONTROLLED DOCUMENT.

DIMENSIONS: INCHES 0 PLC ± - 1 PLC ± - 2 PLC ± - 3 PLC ± .005 4 PLC ± - ANGLES ± 0'30"	TOLERANCES UNLESS OTHERWISE SPECIFIED: 0 PLC ± - 1 PLC ± - 2 PLC ± - 3 PLC ± .005 4 PLC ± - ANGLES ± 0'30"	DWG: C.C.THOMAS 01-DEC-87 CHK: F.C.BALLEW 25-JAN-88 APVD: F.C.BALLEW 25-JAN-88 NAME: AMPLIMITE RCPT FOR SOCKET CONTACTS HI-DENSITY D CONNECTOR SIZE 5 (78 POSN) SERIES 90 SIZE: A1 CAGE CODE: 00779 DRAWING NO: 204508 WEIGHT: - CUSTOMER DRAWING	DATE: 01-DEC-87 DATE: 25-JAN-88 DATE: 25-JAN-88 NAME: AMPLIMITE RCPT FOR SOCKET CONTACTS HI-DENSITY D CONNECTOR SIZE 5 (78 POSN) SERIES 90 SIZE: A1 CAGE CODE: 00779 DRAWING NO: 204508 WEIGHT: - CUSTOMER DRAWING	SCALE: 4:1 SHEET: 1 OF 1 REV: T
--	--	---	--	---------------------------------------