



Have a Question?
Chat with a Product
Information Specialist

What can we help you find?

Products Industries Resources About TE My Account Innovation Support Center

204510-1 Product Details

Share Print Email



204510-1

TE Internal Number: 204510-1

Active

View 3D PDF

Subminiature D Pins/Sockets for MIL-C-24308 and MIL-C-39029

Not EU RoHS or ELV Compliant (Find RoHS Compliant Alternates)

Product Highlights:

- Connector
- Product Series = 90
- Connector Style = Receptacle
- Accepts Contact Gender = Socket
- Density = High

View all Features

Quick Links

- ▶ Pricing & Availability
- ▶ Search for Tooling
- ▶ Product Feature Selector
- ▶ Contact Us About This Product

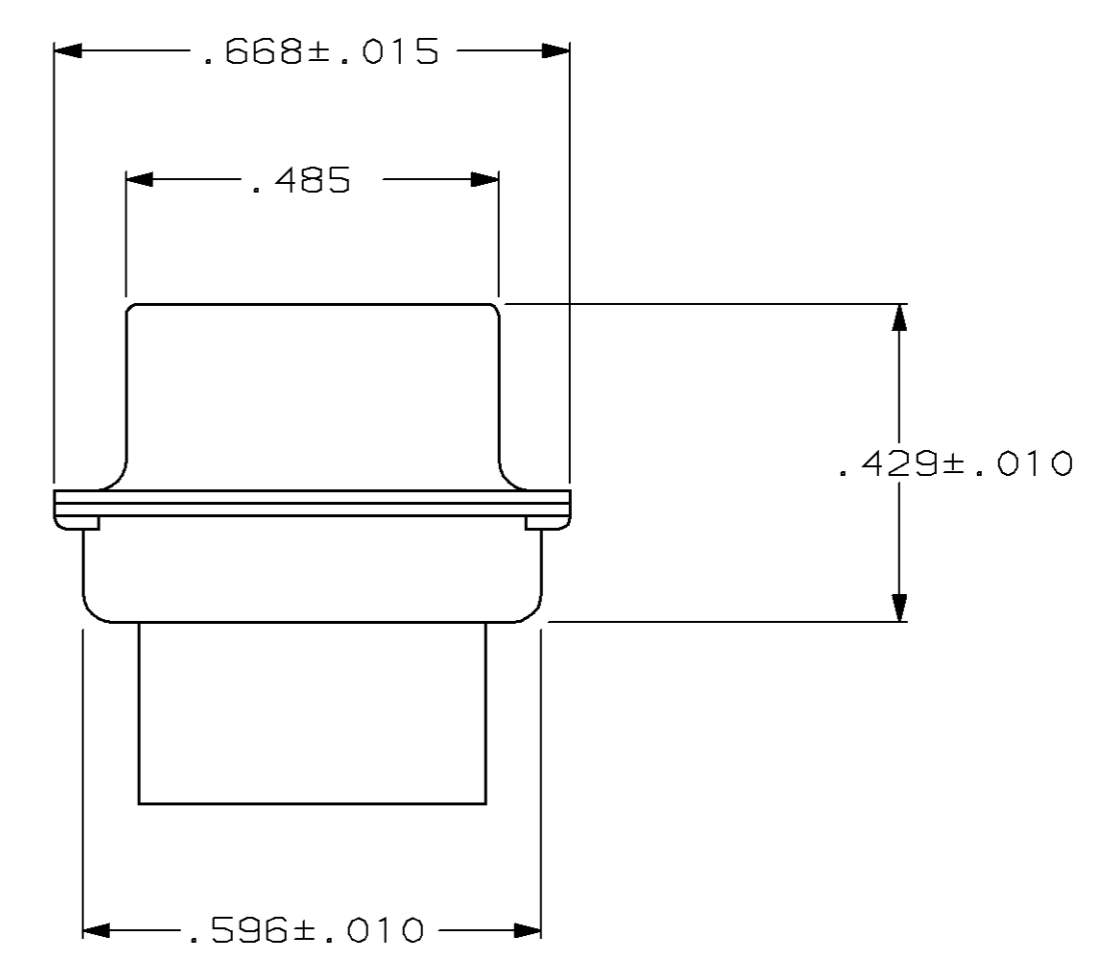
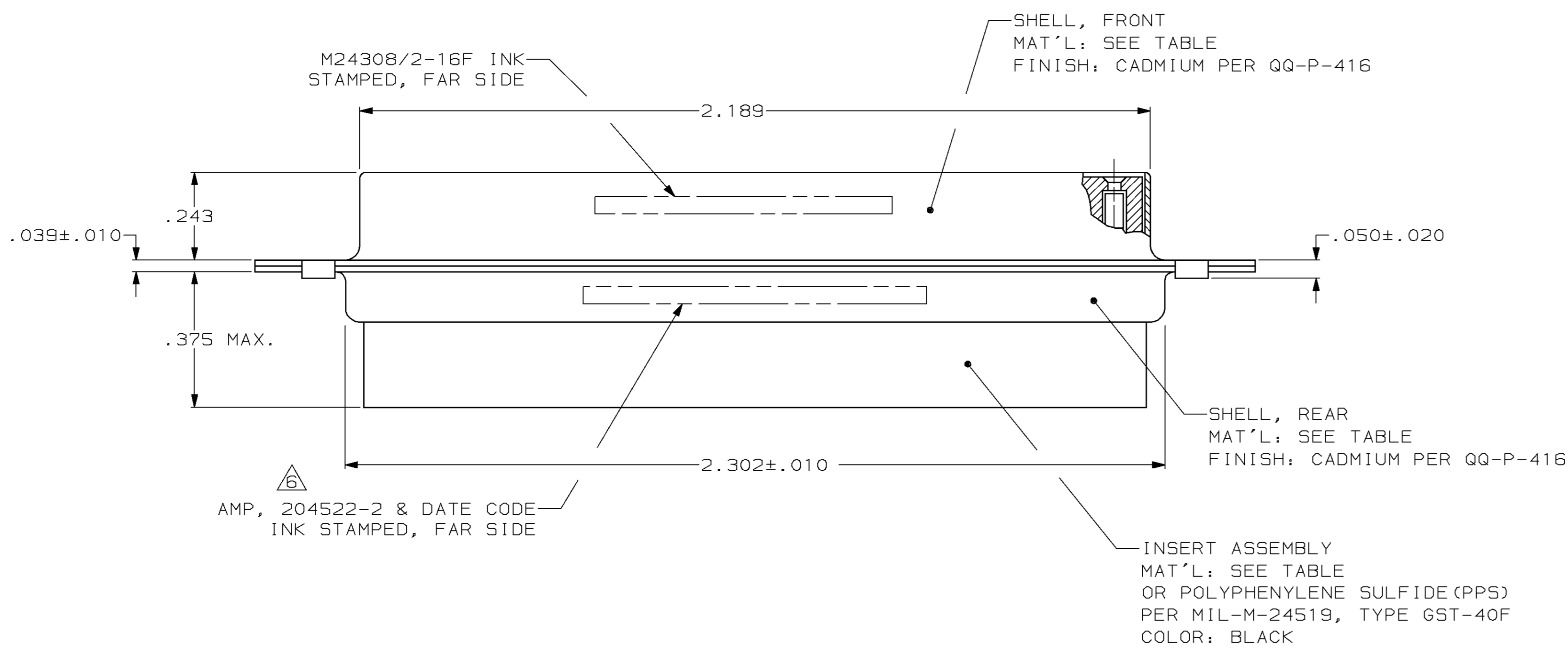
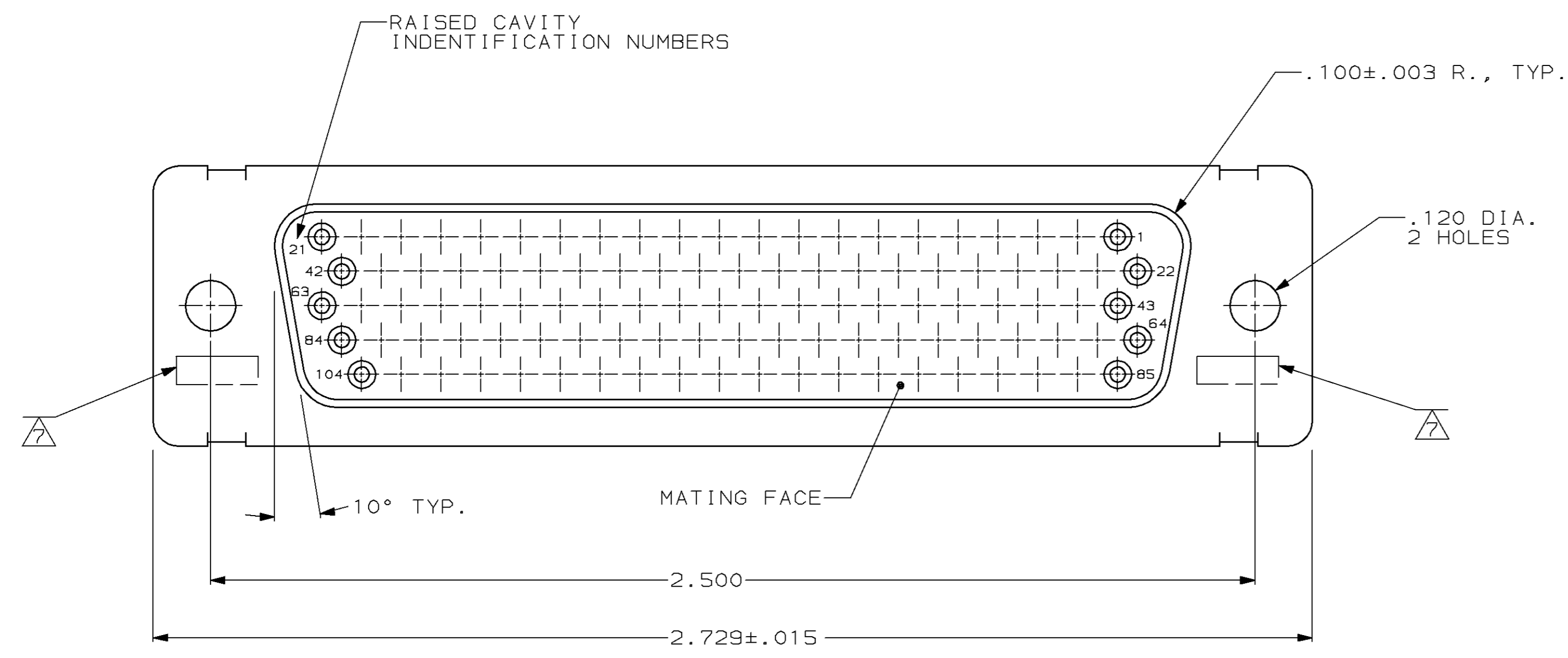
Add to My Part List Request Sample Find Similar Products Buy Product

Documentation & Additional Information	
<p>Product Drawings:</p> <ul style="list-style-type: none"> • AMPLIMITE RCPT. FOR SOCKET CONTACTS (PDF, English) <p>Catalog Pages/Data Sheets:</p> <ul style="list-style-type: none"> • None Available <p>Product Specifications:</p> <ul style="list-style-type: none"> • None Available <p>Application Specifications:</p> <ul style="list-style-type: none"> • None Available <p>Instruction Sheets:</p> <ul style="list-style-type: none"> • AMPLIMITE High Density 22 (HD-22) Connectors (PDF, English) <p>CAD Files: (CAD Format & Compression Information)</p> <ul style="list-style-type: none"> • 2D Drawing (DXF, Version P) • 3D Model (IGES, Version P) • 3D Model (STEP, Version P) 	<p>Additional Information:</p> <ul style="list-style-type: none"> • Product Line Information <p>Additional Product Images:</p> <ul style="list-style-type: none"> • Insert Arrangement <p>Related Products:</p> <ul style="list-style-type: none"> • Tooling

List all Documents

Product Features (Please use the Product Drawing for all design activity)	
<p>Product Type Features:</p> <ul style="list-style-type: none"> • Product Type = Connector • Product Series = 90 • Shell Size = 6 • Shell Material = Steel • Termination Method to Wire/Cable = Crimp • Mounting Hole Diameter (mm [in]) = 3.05 [.120] <p>Body Features:</p> <ul style="list-style-type: none"> • Blindmate = No • Non-Magnetic = No • Rear Grommet = No • Power/Signal/Coax Combination = No • Shell Plating = Cadmium • Mount Style = Mounting Holes • Retention Clip Material = Stainless Steel <p>Contact Features:</p> <ul style="list-style-type: none"> • Accepts Contact Gender = Socket • Contact Size = 22 • Contact Style = Crimp Snap-in 	<p>Housing Features:</p> <ul style="list-style-type: none"> • Connector Style = Receptacle <p>Configuration Features:</p> <ul style="list-style-type: none"> • Density = High • Number of Positions = 104 <p>Industry Standards:</p> <ul style="list-style-type: none"> • Government/Industry Qualification = Yes • Government/Industry Part Number = M24308/2-291F • RoHS/ELV Compliance = Not ELV/RoHS compliant • Lead Free Solder Processes = Wave solder capable to 240°C, Wave solder capable to 260°C, Wave solder capable to 265°C, Reflow solder capable to 245°C, Reflow solder capable to 260°C, Pin-in-Paste capable to 245°C, Pin-in-Paste capable to 260°C • NASA Qualification = No <p>Conditions for Usage:</p> <ul style="list-style-type: none"> • Applies To = Wire/Cable <p>Other:</p> <ul style="list-style-type: none"> • Brand = AMP • Comment = Size 22 sockets supplied with receptacles are loose piece.; "F" is stamped on connectors following M24308 part number as required. "F" designates cadmium shell plating.

PROD 5066 CODE	LOC DF	DIST D0	P	F	ZONE	LTR	REVISIONS			
							DESCRIPTION	DATE	APPD	
							P	REV PER 0600-6687-97 JY	8-19-98	JN



- THIS RCPT. IS DESIGNED TO CONFORM TO THE LATEST ISSUE OF MIL-C-24308
 - MAX WIRE INSUL TO BE USED WITH THIS RCPT IS .054 DIA
 - METAL RETENTION CLIPS ARE INCLUDED IN INSERTS
 - PACKAGE STAMPED M 24308/2-291F
 - THIS RCPT. WILL ACCEPT SIZE 22 SOCKET CONTACT M 39029/57-354 OR ANY AMP HDD-22 SOCKET CONTACT
- AMP PART NO. STAMPED ON CONNECTOR REPRESENTS KIT NUMBER WITH CONTACTS
 UL/CSA DESIGNATION STAMPED IN THIS AREA, OPTIONAL

SUPSD BY 204510-1	STEEL, CLASS G	PHENOLIC COLOR: BLACK	204510-3
SUPSD BY 206065-4	BRASS	DIALYL PATHALATE COLOR: BLUE	204510-2
	STEEL, CLASS G	DIALYL PATHALATE COLOR: BLUE	204510-1
	SHELL MAT'L	INSERT MAT'L	PART NO

DO NOT SCALE PRINT. UNLESS SPECIFIED DIMENSIONS IN INCHES TOLERANCES ON: 2 PLC DEC ± - 3 PLC DEC ± .005 ANGLES ± 0°30'	DR 12-2-87 C.C. THOMAS	AMP INCORPORATED Harrisburg, Pa. 17105	
	CHK 1-25-88 F.C. BALLEW III		
SEE TABLE	APPD 1-25-88 F.C. BALLEW III	NAME AMPLITE RCPT. FOR SOCKET CONTACTS HI-DENSITY "D" CONNECTOR SIZE 6 (104 POSN) SERIES 90	
	APPD 1-26-88 D.J.M.	PRODUCT SPEC -	
FINISH SEE CALLOUTS	APPLICATION SPEC -	SIZE D	FSCM NO 00779
	WEIGHT -	SCALE 4:1	DRAWING NO 204510 SHEET 1 OF 1