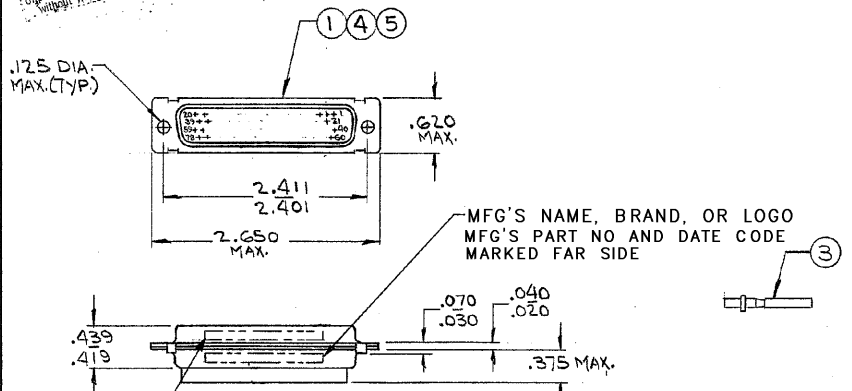


DRAWING MADE IN AMERICAN PROJECTION

© 1970 BY AMP INCORPORATED. ALL RIGHTS RESERVED. AMP PRODUCTS COVERED BY U.S. PATENTS AND/OR PATENTS PENDING.

Unpublished copy not to be distributed without written permission of AMP INCORPORATED



MARKED FAR SIDE
 M 24308/2-15F(-1, -2, -3, ... ONLY)
 M 24308/6-15F(-4, -5, -6 ONLY)
 MARKED FAR SIDE
 10DG50, LITTON IND. P/N (-7 ONLY)

MFG'S NAME, BRAND, OR LOGO
 MFG'S PART NO AND DATE CODE
 MARKED FAR SIDE

ZONE	LTR	DESCRIPTION	DATE	APPROVED
A		REV. PER ECN B-684	1/12/72	JY
B		REV. PER ECN B-948	5/1/73	JY
C		ITEM 2 W/HS SIDE 4-1 ECN C-678	9/15/74	DEK
D		REV. PER ECN J-709	9-8-82	PLC
E		REV. DF-0021 & DF 0160 & DF 370 & DF-3591 & R2670	6-2	
F		REV PER DF4250	8-8	EAM
G		REV PER 0600-6687-97	5-91	DE
H		ECO-08-023688	11-08	BW

DWG NO.	SIZE	NUMBER	NAME	REV.		
1	-	-	D 204508-4 RECP ASSY, SIZE 5 (STEEL SHELL)	5		
X	-	-	LITTON IND. P/N 10DG50 MARKED ON PACKAGE			
-	X	-	MIL No. M24308/6-15F MARKED ON PACKAGE			
-	-	X	MIL No. M24308/2-15F MARKED ON PACKAGE			
-	X	-	MIL No. M24308/6-21F MARKED ON PACKAGE			
-	-	X	MIL No. M24308/2-21F MARKED ON PACKAGE			
-	1	1	C 204508-2 RECEPTACLE ASSY, SIZE 5 (BRASS SHELL)	4		
78	78	-	B 204351-1 CONTACT, SOCKET-SIZE 22D	3		
-	1	1	B 91067-1 INSERTION/EXTRACTION TOOL	2		
1	-	1	C 204508-1 RECEPTACLE ASSY, SIZE 5 (STEEL SHELL)	1		
7	6	5	4	3	2	1

2 SUPSD BY 206505-A & (78) 206071-1

UNLESS OTHERWISE SPECIFIED DIMENSIONS ARE IN INCHES
 TOLERANCES ON:
 DECIMALS ±.005
 ANGLES ±.5°
 MATERIAL

CONTRACT NO. DR. 12/1/73

AMP INCORPORATED HARRISBURG, PENNSYLVANIA

NAME KIT, "HDD" SERIES, RECEPTACLE, SIZE 5 (78 POS.)

SIZE B CODE IDENT NO. 00779 NUMBER 204520 REV H

SCALE SHEET 1 OF 1