

Distributed by:

JAMECO[®]
ELECTRONICS

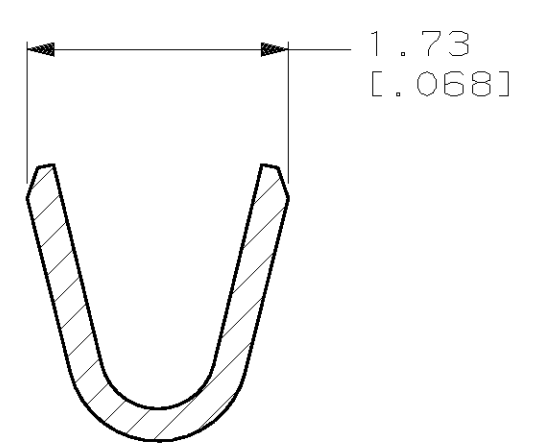
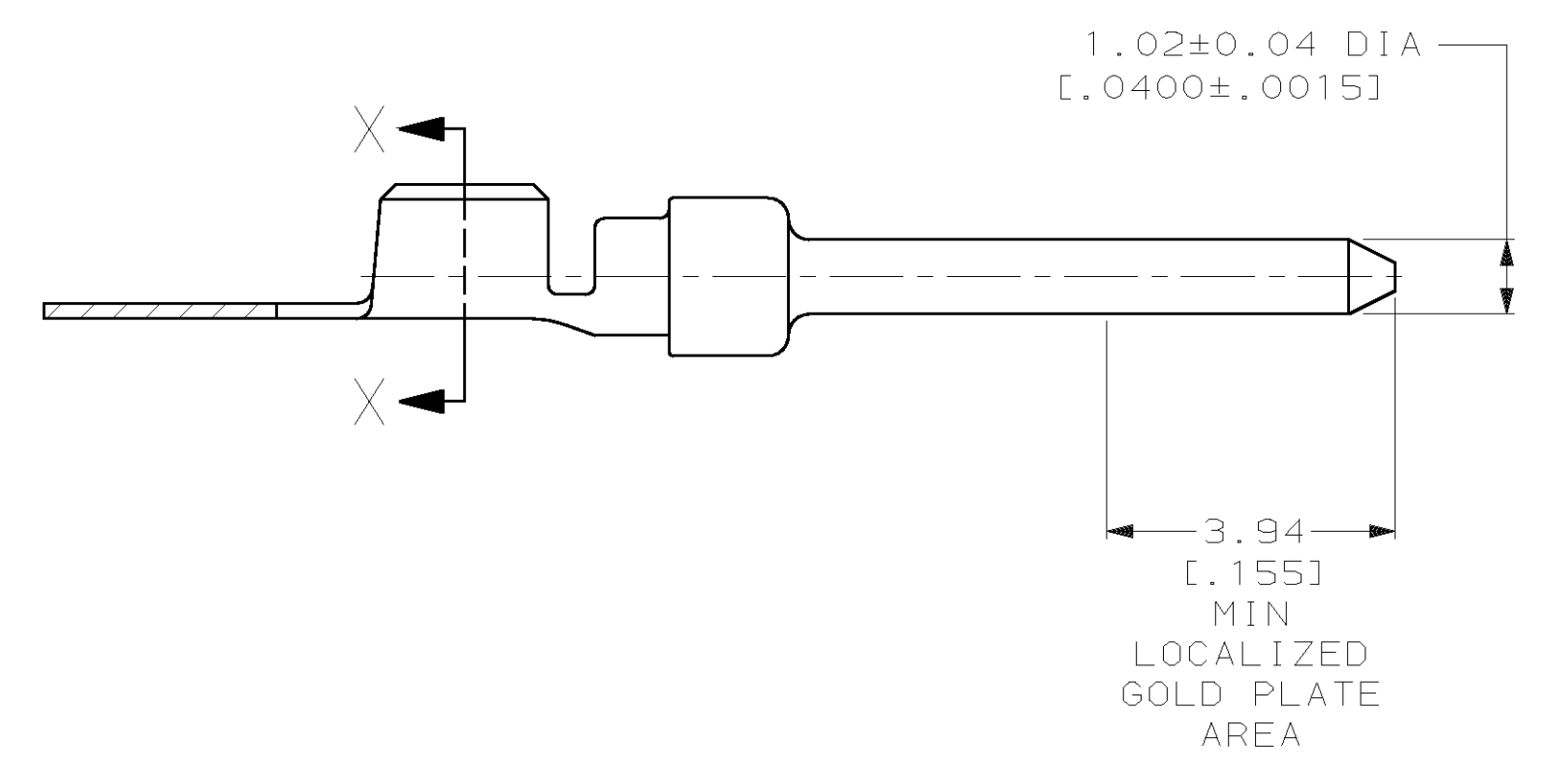
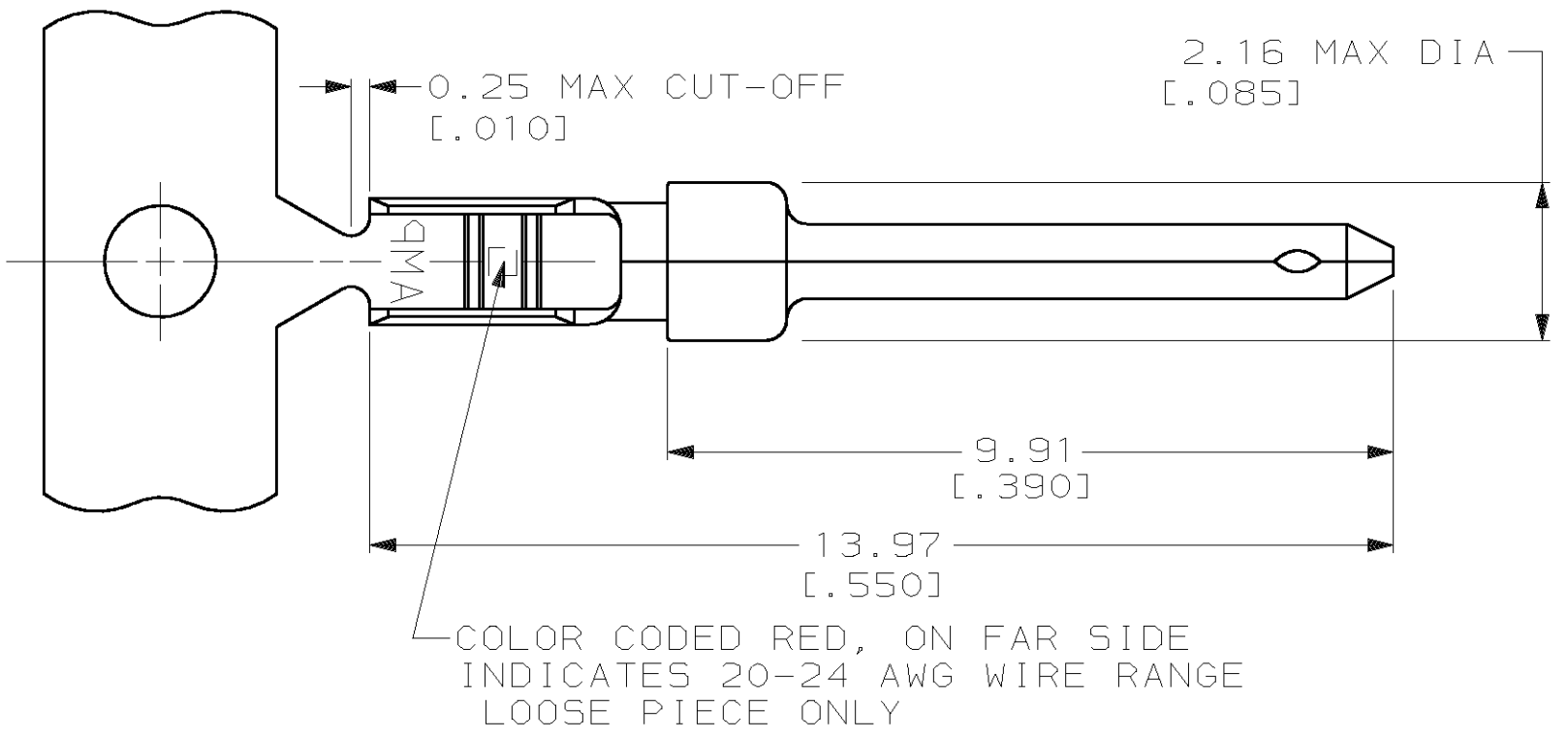
www.Jameco.com ♦ 1-800-831-4242

The content and copyrights of the attached
material are the property of its owner.

Jameco Part Number 223175

THIS DRAWING IS UNPUBLISHED. RELEASED FOR PUBLICATION
 BY AMP INCORPORATED. ALL RIGHTS RESERVED.

LOC	DIST	REVISIONS					
GP	00	P	LTR	DESCRIPTION	DATE	DWN	APVD
			W	OBSOLETE -16 & REDRAWN ON CAD PER EC 0420-143-96	28 OCT 97	TS	SB
			Y	REV PER EC 0640-441-98	18 MAR 99	DB	RT
			Z	REV PER EC 0U1D-0248-00	27 OCT 00	DB	JK
			AA	REV PER EC 0U1D-0260-00	12 SEP 01	JR	JG
			AZ	REV PER EC 0UE0-0002-01	09 JAN 02	JR	JG



SECTION X-X
 WIRE BARREL
 SCALE 20:1

- 1 FOR MINI-APPLICATOR.
- 2 FOR HAND TOOL USE ONLY.
- 3 FOR STANDARD APPLICATOR PART #566051 & #566110 ONLY.
- 4. WIRE RANGE OF 20-24 AWG, .068 MAX INSULATION DIA.
- 5. GOLD PLATING MAY NOT APPEAR ON CARRIER STRIP.
- 6 GOLD PLATING PER MIL-G-45204, NICKEL PLATING PER QQ-N-290, TIN PLATING PER MIL-T-10727.
- 7 GOLD PLATED IN LOCALIZED GOLD PLATED AREA, 0.76µm [.000030] GOLD IN MATED AREA, GOLD FLASH ON REMAINDER, OVER 1.27µm [.000050] NICKEL.
- 8 PLATED WITH GOLD FLASH OVER 0.76µm [.000030] NICKEL.
- 9 PLATED WITH 2.54µm-5.08µm [.000100-.000200] TIN.
- 10 PLATED WITH GOLD FLASH IN LOCALIZED GOLD PLATE AREA, TIN PLATED WIRE BARREL, OVER 0.76µm [.000030] NICKEL.
- 11 GOLD PLATED IN LOCALIZED GOLD PLATED AREA, 0.76µm [.000030] GOLD IN MATED AREA, TIN PLATED WIRE BARREL, OVER 1.27µm [.000050] NICKEL.

SUPERSEDED BY 205202-2	STANDARD	11	1	STRIP	2-205202-5
SUPERSEDED BY 205202-6	STANDARD	10	1	STRIP	2-205202-2
SUPERSEDED BY 205202-6	STANDARD	9	1	STRIP	1-205202-4
	STANDARD	8	2	LOOSE PIECE	205202-7
	STANDARD	8	1	STRIP	205202-6
OBSOLETE	STANDARD	7	2	LOOSE PIECE	205202-4
	STANDARD	7	1	STRIP	205202-2

PACKAGING TYPE	FINISH	USE	TYPE	PART NUMBER
----------------	--------	-----	------	-------------

THIS DRAWING IS A CONTROLLED DOCUMENT.		DWN S. WELDON 9-9-86	AMP Incorporated Harrisburg, PA 17105-3608	
DIMENSIONS: mm [INCHES]		CHK C. RICHARD 9-9-86	AMP	
TOLERANCES UNLESS OTHERWISE SPECIFIED:		APVD V. KUMAR 9-10-86	PIN CONTACT, SIZE 20 DF, 20-24 AWG, AMPLIMITE	
0 PLC ±-	1 PLC ±-	PRODUCT SPEC	SIZE	CAGE CODE
2 PLC ±0.13 [.005]	3 PLC ±-	APPLICATION SPEC	114-10000	DRAWING NO
4 PLC ±-	ANGLES -	WEIGHT	-	RESTRICTED TO
MATERIAL BRASS PER MIL-C-50	FINISH 6 SEE TABLE	CUSTOMER DRAWING	A2 00779	205202
SCALE 10:1		SHEET 1 OF 1	REV AZ	