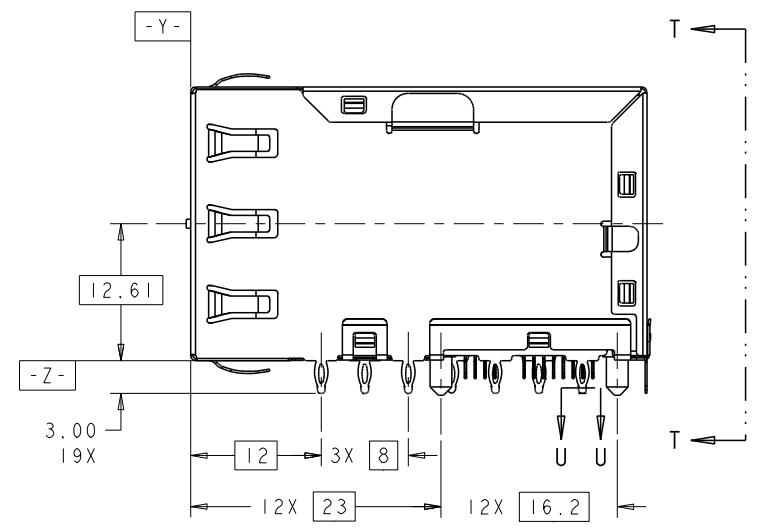
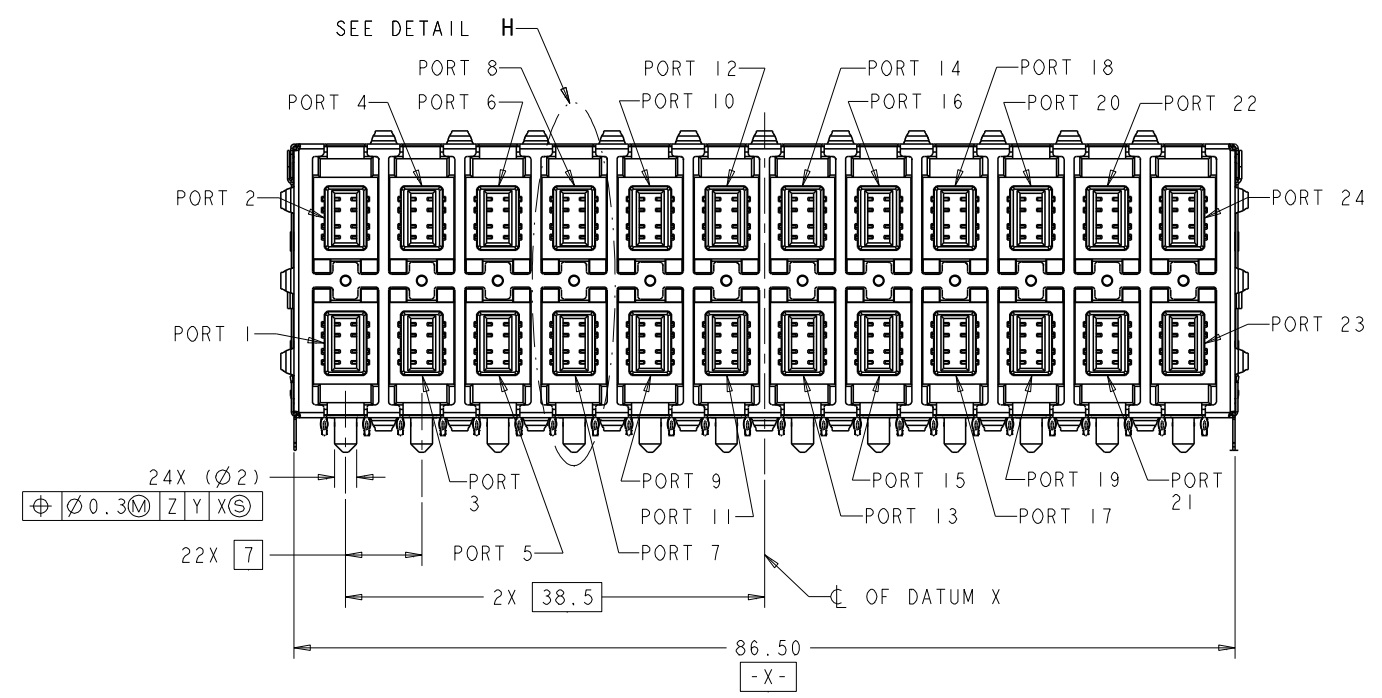
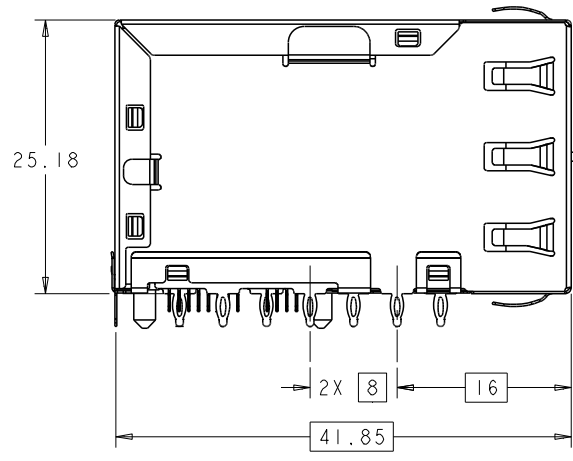
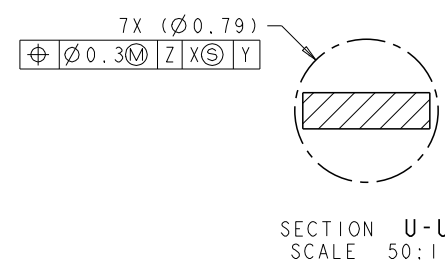
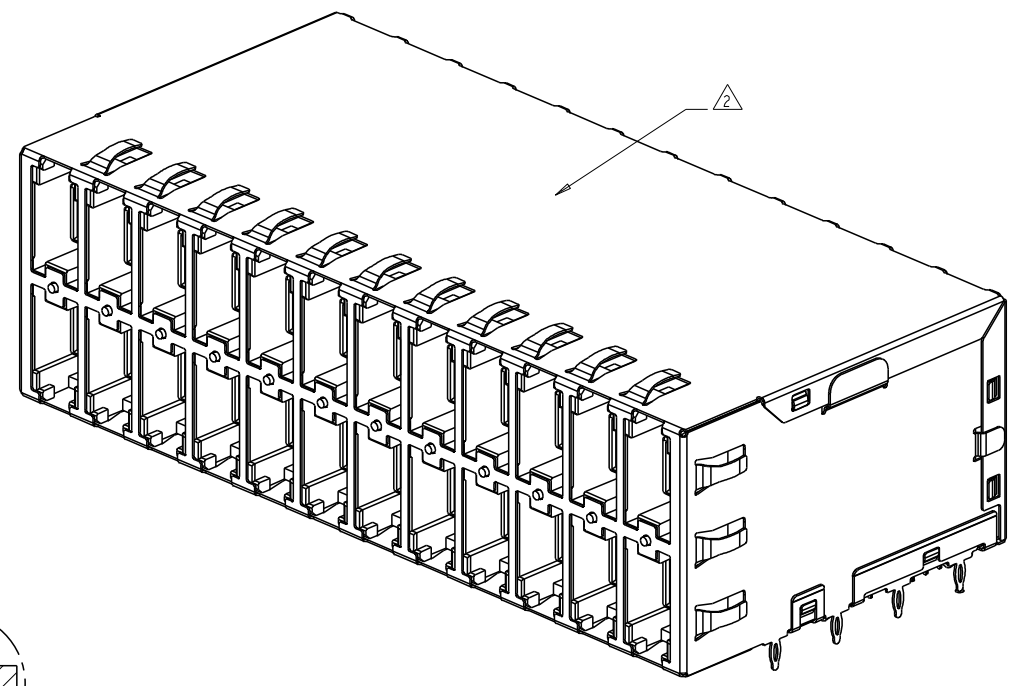


| LOC | | DIST | | REVISIONS | | | |
|-----|-----|---|-----------|-----------|------|--|--|
| P | LTN | DESCRIPTION | DATE | DWN | APPD | | |
| 9 | | REVISED NOTE 7 | 28OCT2009 | RT | RH | | |
| A | | CHANGE PART STATUS TO ACTIVE EC-1003034 | 19JUL2010 | TR | KZ | | |

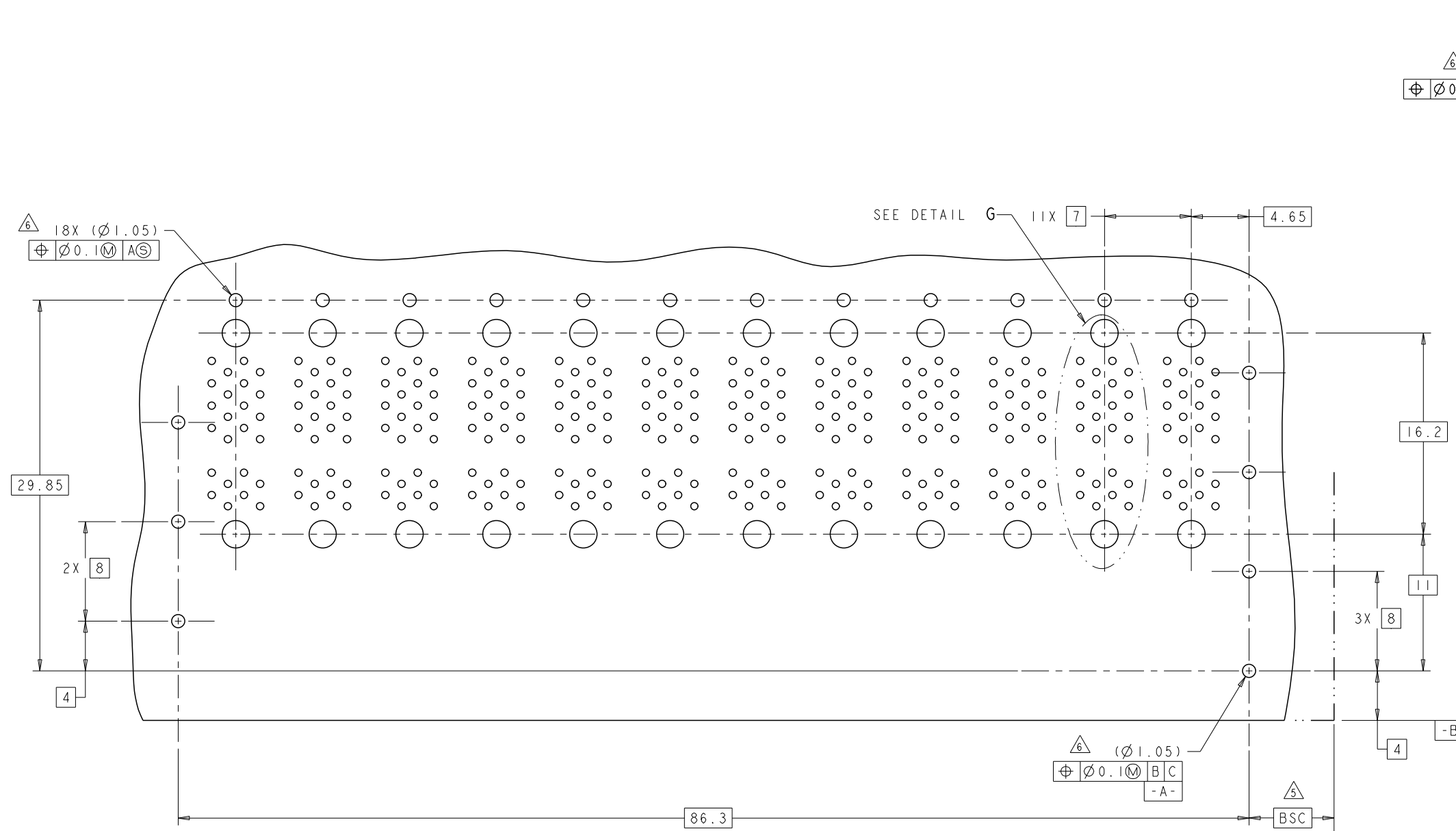
- MATERIAL:
 HOUSING: BLACK, THERMOPLASTIC, RATED UL 94V-0.
 SHIELD: COPPER ALLOY WITH NICKEL PLATING.
 CONTACTS: PHOSPHOR BRONZE.
 CONTACT PLATING: 0.05µm MIN GOLD OVER
 0.76µm MIN PALLADIUM-NICKEL, AT MATING
 INTERFACE CONTACT AREA.
- TE LOGO, PART NUMBER, DATE CODE AND
 COUNTRY OF ORIGIN, SHOWN APPROXIMATE AREA.
- LED IS DRIVEN WITH CURRENT AT APPROX 20 mA
 DOMINANT WAVELENGTH (λD): GREEN 573 nm TYP AT IF=20mA
 FORWARD VOLTAGE (VF): GREEN 2.0V TYP at IF=20mA
 DOMINANT WAVELENGTH (λD): RED 624 nm TYP AT IF=20mA
 FORWARD VOLTAGE (VF): RED 2.0V TYP at IF=20mA
 DOMINANT WAVELENGTH (λD): YELLOW 589 nm TYP AT IF=20mA
 FORWARD VOLTAGE (VF): YELLOW 2.0V TYP at IF=20mA
- RECOMMENDED MIN PCB THICKNESS 1.5mm (.062").
- DATUM AND BASIC DIMENSION ESTABLISHED BY CUSTOMER.
- FOR HOLE SIZE AND PLATINGS, SEE SHEET 4.
- APPLICATION 10/100/1000 BASE-T
 -IMPEDANCE 100 OHMS
 -PERFORMANCE:
 ALL PAIRS ARE BI-DIRECTIONAL
 TIA-568-C.2 CATEGORY 5E COMPLIANT
 INSERTION LOSS:
 1<F<6.3MHZ = .01dB (MAX)
 6.3<F<100MHZ = .04X SQRT(F)dB (MAX)
 RETURN LOSS:
 1<F<31.5MHZ = 30dB (MIN)
 31.5<F<100MHZ = 20-(20XLOG(F/100))dB (MIN)
 NEXT LOSS:
 1<F<7.9MHZ = 65dB (MIN)
 7.9<F<100MHZ = 43-(20XLOG(F/100))dB (MIN)
 NEXT LOSS:
 1<F<3.2MHZ = 65dB (MIN)
 3.2<F<100MHZ = 35.1-(20XLOG(F/100))dB (MAX)
 -ISOLATION VOLTAGE: 2250VDC(MAX) FOR 60 SECONDS WITH
 A RISE TIME OF 500V/SEC.



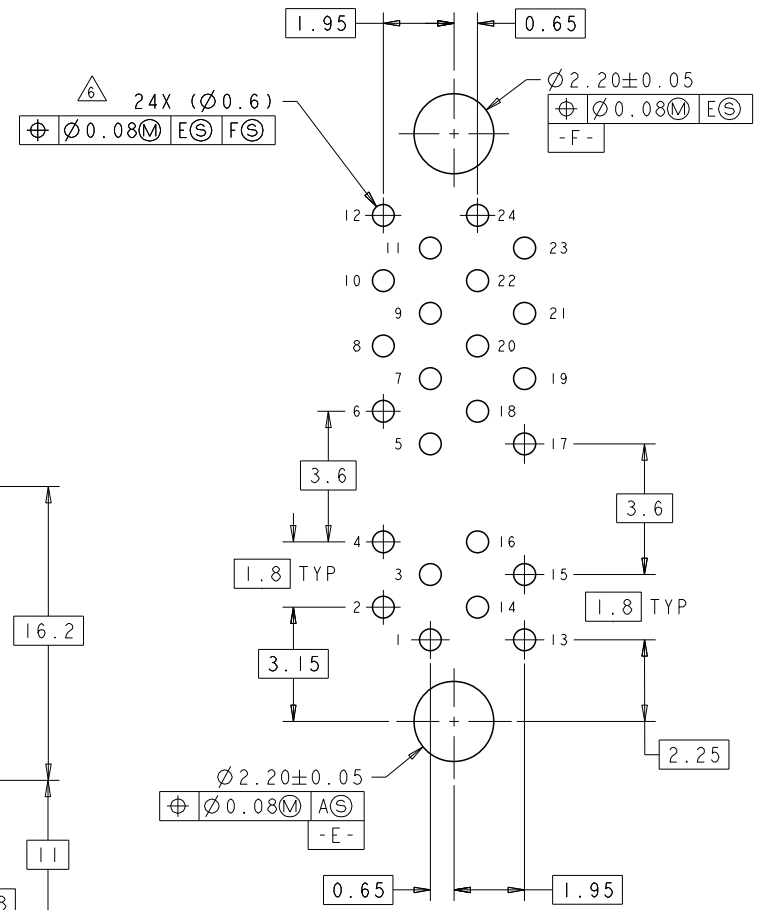
| | |
|-----------------------|-------------|
| YELLOW/GREEN BI-COLOR | 2057134-2 |
| RED/GREEN BI-COLOR | 2057134-1 |
| LED COLORS | PART NUMBER |

| | | | | | | | |
|---|--|--|--|--|--|---|--|
| DIMENSIONS: mm 0 PLC ± 1 PLC ± 2 PLC ±0.25 3 PLC ± 4 PLC ± ANGLES ±° | | TOLERANCES UNLESS OTHERWISE SPECIFIED: 0 PLC ± 1 PLC ± 2 PLC ±0.25 3 PLC ± 4 PLC ± ANGLES ±° | | DWN: M. SHIRK 08APR2008 CHK: R. HENRY 08APR2008 APPD: R. HENRY 08APR2008 | | Tyco Electronics Tyco Electronics Harrisburg, PA 17105-3608 | |
| NAME: RECEPTACLE ASSEMBLY, 2X12, NON MAGNETICS, RJ POINT FIVE | | | | SIZE: A CASE CODE: 00779 DRAWING NO: 2057134 | | RESTRICTED TO: - SCALE: 3:1 SHEET: 1 OF 5 REV: A | |
| MATERIAL: | | FINISH: | | WEIGHT: | | CUSTOMER DRAWING | |

| LOC | DIST | REVISIONS | | | |
|-----|------|-------------|------|-----|------|
| P | LTN | DESCRIPTION | DATE | DWN | APPD |
| | | SEE SHEET 1 | | | |



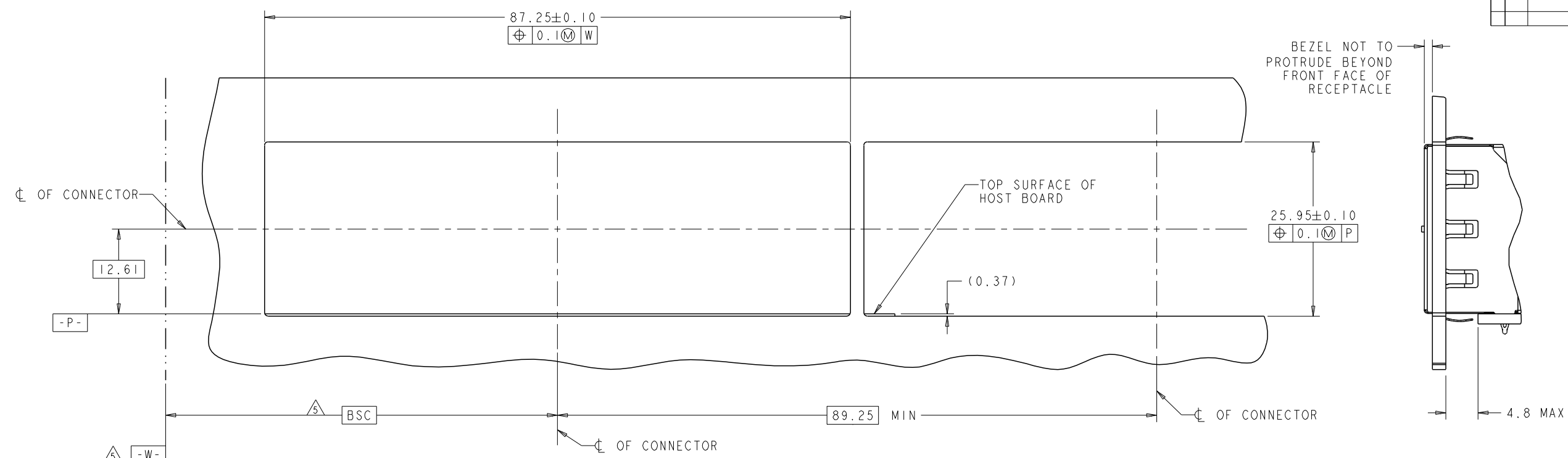
RECOMMENDED PCB LAYOUT
 SCALE 5:1



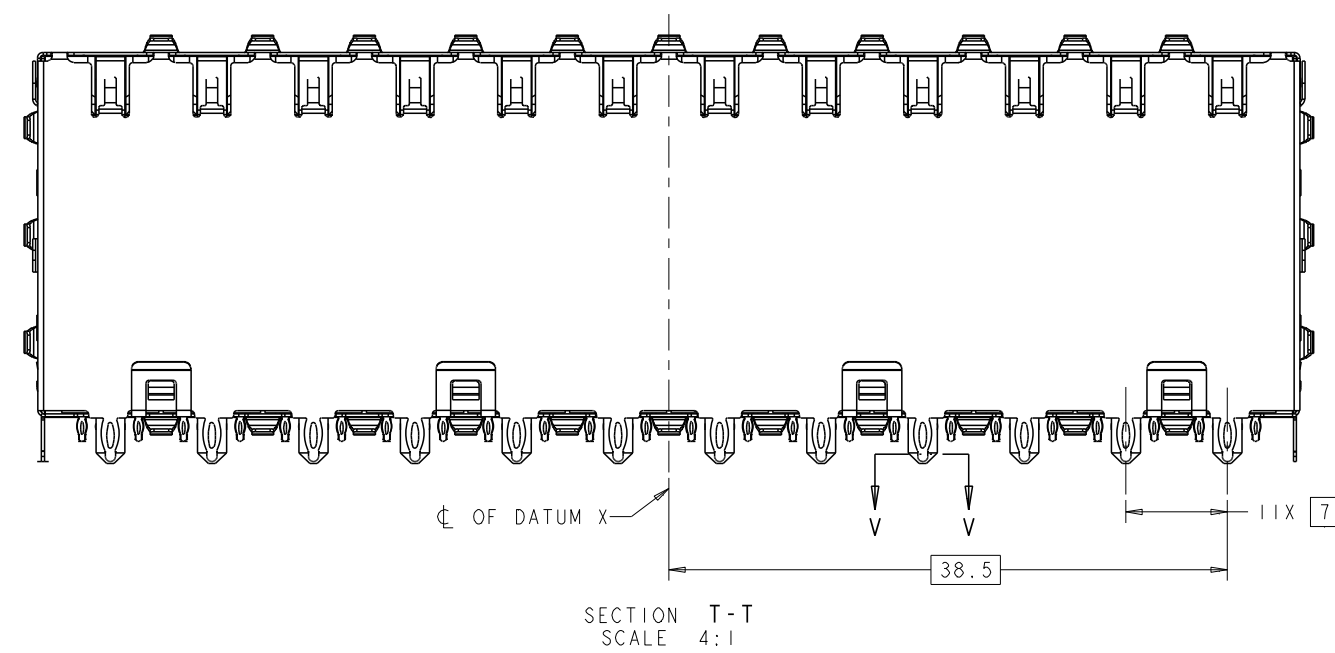
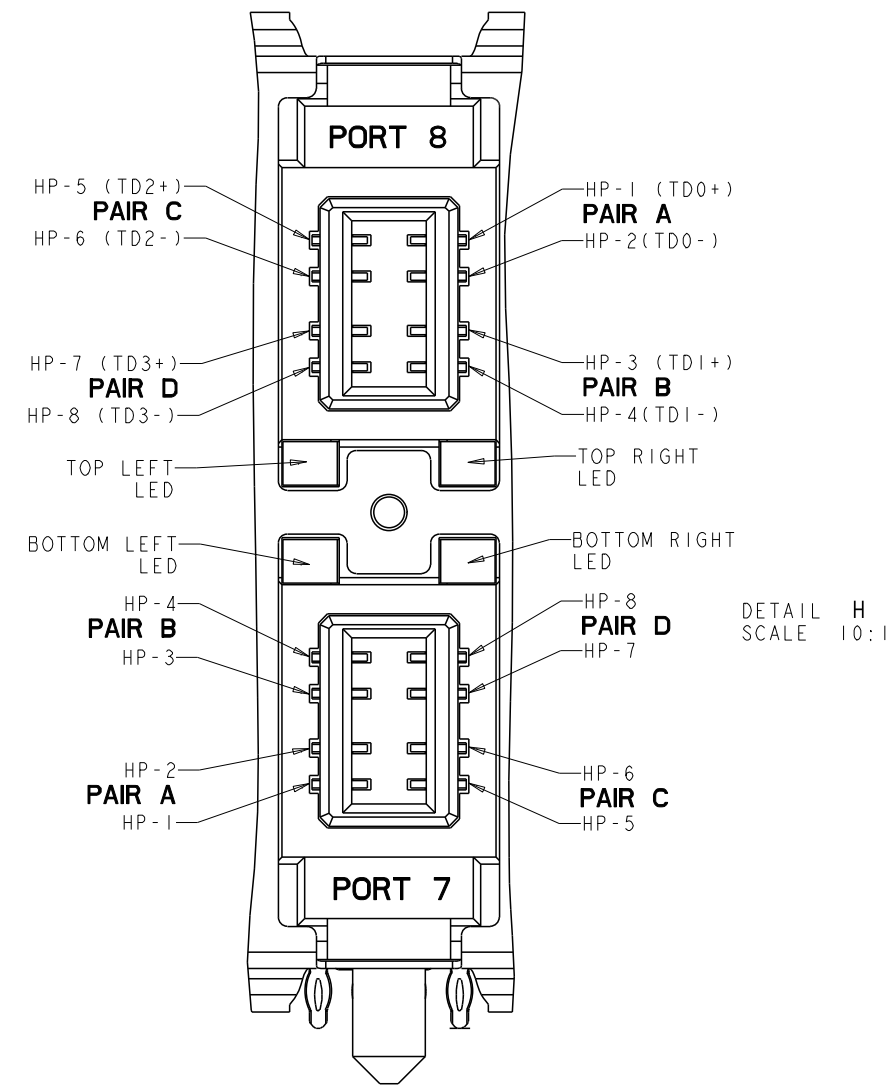
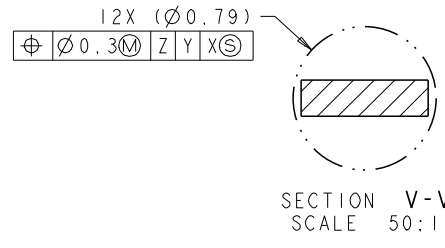
DETAIL G
 BOARD PIN IDENTIFIERS
 SCALE 10:1

| | | | |
|--|---|---|---|
| <small>THIS DRAWING IS A CONTROLLED DOCUMENT FOR TYCO ELECTRONICS CORPORATION IT IS SUBJECT TO THE TERMS AND CONDITIONS OF THE TYCO ELECTRONICS CORPORATION CONTROLLED DOCUMENTS POLICY AND IS NOT TO BE REPRODUCED OR TRANSMITTED IN ANY FORM OR BY ANY MEANS WITHOUT THE WRITTEN PERMISSION OF TYCO ELECTRONICS CORPORATION.</small> | | DWN: M. SHIRK 08APR2008 CHK: R. HENRY 08APR2008 APPD: R. HENRY 08APR2008 | Tyco Electronics Tyco Electronics Harrisburg, PA 17105-3608 |
| DIMENSIONS: mm 0 PLC ± 1 PLC ± 2 PLC ±0.25 3 PLC ± 4 PLC ± ANGLES ± FINISH | TOLERANCES UNLESS OTHERWISE SPECIFIED: 0 PLC ± 1 PLC ± 2 PLC ±0.25 3 PLC ± 4 PLC ± ANGLES ± FINISH | NAME: RECEPTACLE ASSEMBLY, 2X12, NON MAGNETICS, RJ POINT FIVE APPLICATION SPEC WEIGHT CUSTOMER DRAWING | SIZE: A CASE CODE: 00779 DRAWING NO: 2057134 SCALE: 3:1 SHEET: 2 OF 5 REV: A |

| REVISONS | | DATE | DWN | APPD |
|----------|-----|------|-----|------|
| P | LYR | | | |
| | | | | |
| | | | | |
| | | | | |
| | | | | |

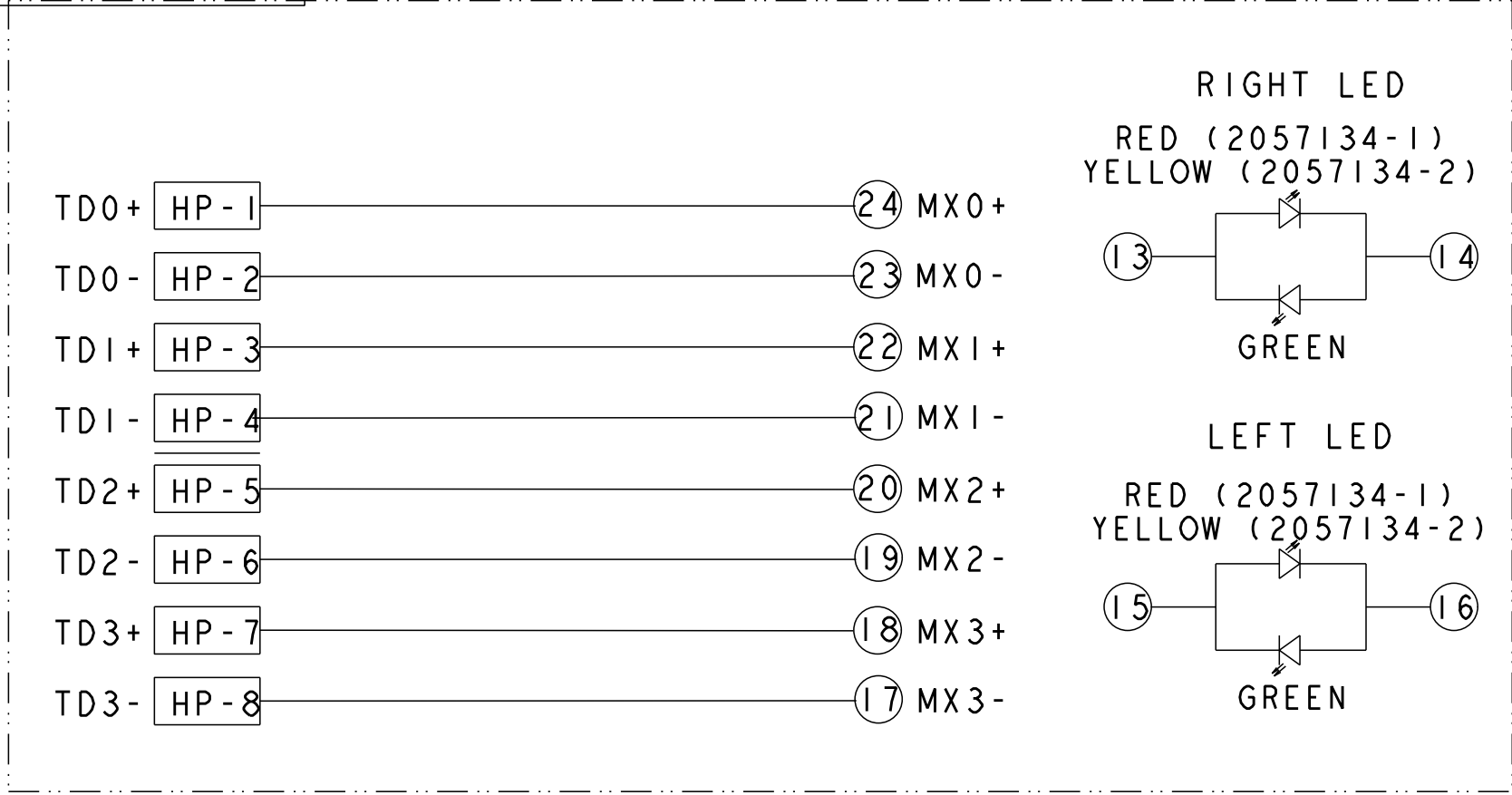


RECOMMENDED PANEL CUTOUT

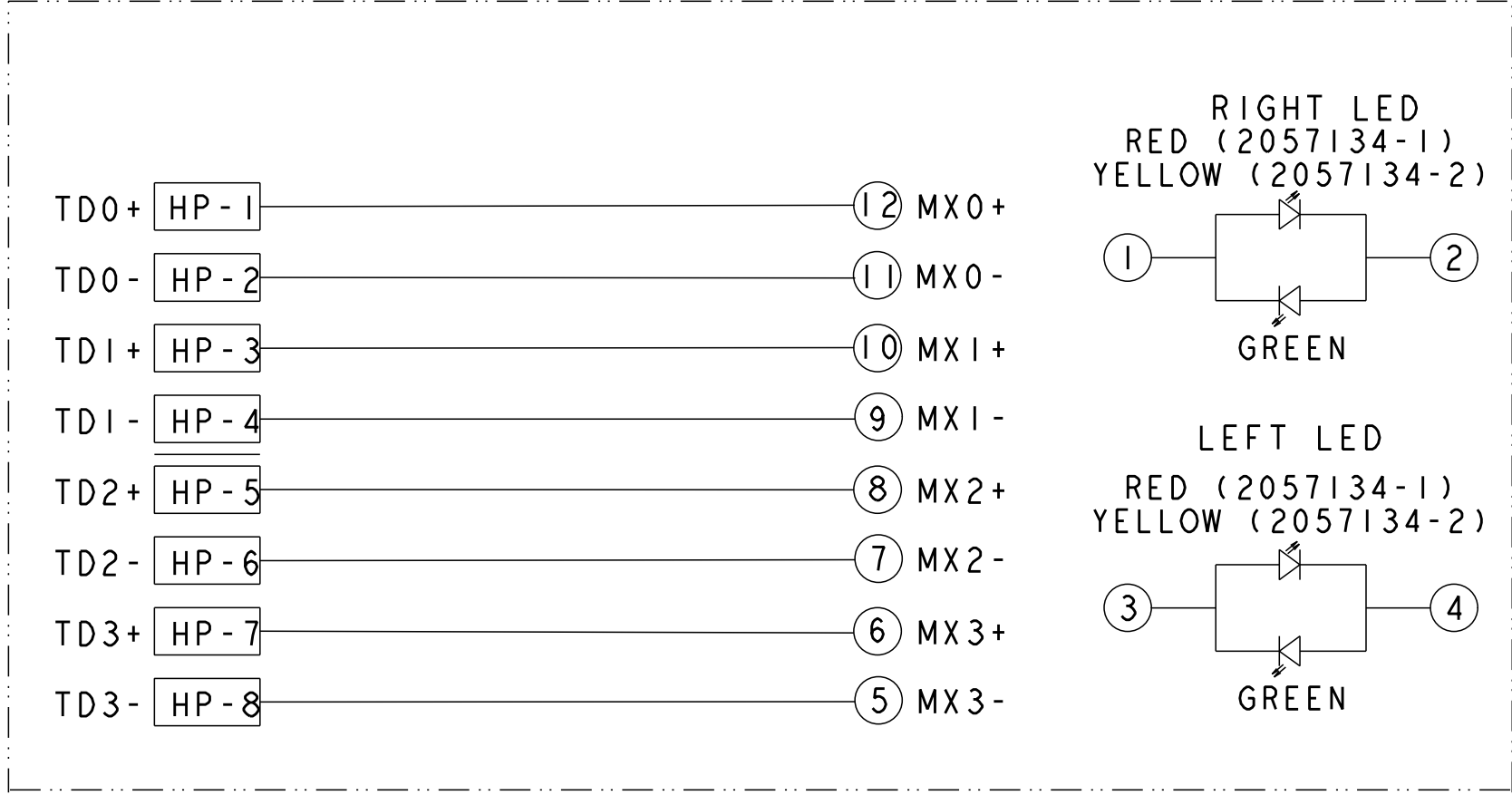


| | | | |
|---|---|---|---|
| <small>THIS DRAWING IS A CONTROLLED DOCUMENT FOR TYCO ELECTRONICS CORPORATION IT IS SUBJECT TO THE TERMS AND CONDITIONS OF THE TYCO ELECTRONICS CORPORATION QUALITY ASSURANCE PROGRAM. FOR MORE INFORMATION CONTACT TYCO ELECTRONICS CORPORATION QUALITY ASSURANCE DEPARTMENT.</small> | | DWN: M. SHIRK 08APR2008 CHK: R. HENRY 08APR2008 APPD: R. HENRY 08APR2008 | Tyco Electronics Tyco Electronics Harrisburg, PA 17105-3608 |
| DIMENSIONS: mm 0 PLC ± 1 PLC ± 2 PLC ±0.25 3 PLC ± 4 PLC ± ANGLES ±3° FINISH | TOLERANCES UNLESS OTHERWISE SPECIFIED: 0 PLC ± 1 PLC ± 2 PLC ±0.25 3 PLC ± 4 PLC ± ANGLES ±3° FINISH | NAME: RECEPTACLE ASSEMBLY, 2X12, NON MAGNETICS, RJ POINT FIVE PRODUCT SPEC APPLICATION SPEC WEIGHT | SIZE: A CASE CODE: 00779 DRAWING NO: C=2057134 RESTRICTED TO: A SCALE: 3:1 SHEET: 3 OF 5 REV: A |
| MATERIAL: . | | CUSTOMER DRAWING | |

| LOC | DIST | REVISIONS | | | |
|-----|------|-------------|------|-----|------|
| P | LYR | DESCRIPTION | DATE | DWN | APVD |
| AG | 00 | SEE SHEET 1 | | | |
| | | | | | |
| | | | | | |



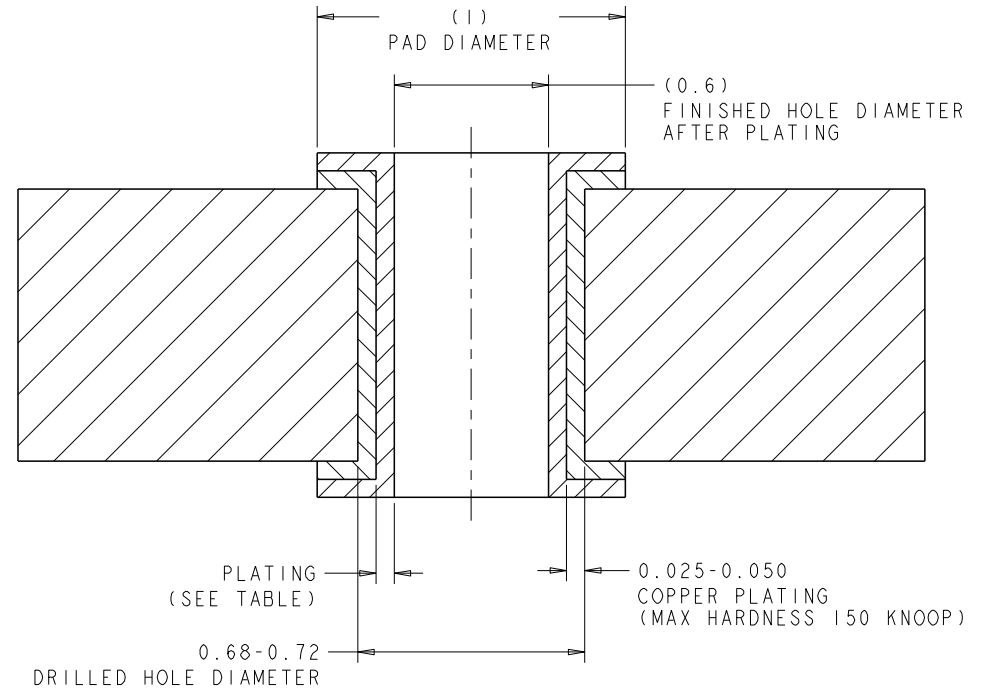
TOP PORT



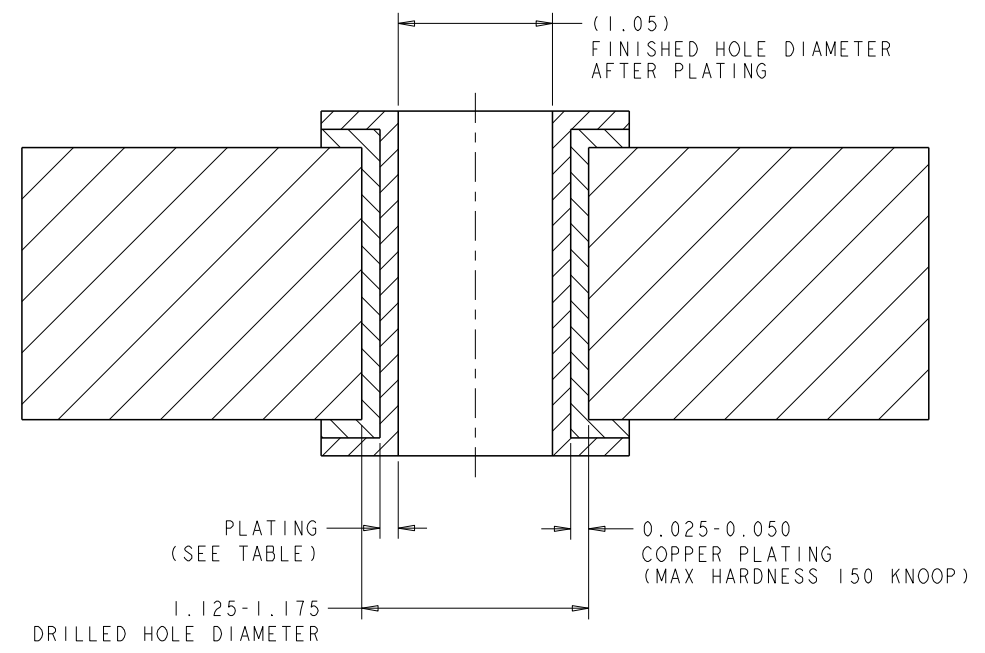
BOTTOM PORT

| | | | |
|--|---|--|--|
| <small>THIS DRAWING IS UNPUBLISHED. RELEASED FOR PUBLICATION. ALL RIGHTS RESERVED.</small> | | DWN: M. SHIRK 08APR2008 CHK: R. HENRY 08APR2008 APVD: R. HENRY 08APR2008 | Tyco Electronics Harrisburg, PA 17105-3608 |
| DIMENSIONS: mm | TOLERANCES UNLESS OTHERWISE SPECIFIED: 0 PLC ± 1 PLC ± 2 PLC ±0.25 3 PLC ± 4 PLC ± ANGLES ±1° | NAME: RECEPTACLE ASSEMBLY, 2X12, NON MAGNETICS, RJ POINT FIVE APPLICATION SPEC: | SIZE: A CASE CODE: 00779 DRAWING NO: 2057134 RESTRICTED TO: |
| MATERIAL: | FINISH: | WEIGHT: | SCALE: 3:1 SHEET 4 OF 5 REV A |
| CUSTOMER DRAWING | | | |

| LOC | DIST | REVISIONS | | | |
|-----|------|-------------|------|-----|------|
| P | LYR | DESCRIPTION | DATE | DWN | APVD |
| AG | 00 | SEE SHEET 1 | - | - | - |
| | | | | | |
| | | | | | |



RECOMMENDED HOLE DIMENSIONS FOR SIGNAL CONTACTS



RECOMMENDED HOLE DIMENSIONS FOR SHIELD PINS

| THICKNESS | PLATING |
|-----------------------------------|---|
| 0.004-0.010 | HOT AIR SOLDER LEVELING (HASL) TIN-LEAD (Sn Pb) |
| 0.0005-0.001 | IMMERSION TIN (Sn) |
| 0.0002-0.0005 | ORGANIC SOLDERABILITY PRESERVATIVE (OSP) |
| 0.0001-0.0005 Au, 0.004-0.0076 Ni | IMMERSION GOLD (Au) OVER NICKEL (Ni) (ENIG) |
| 0.010-0.025 | TIN LEAD PLATING (Sn Pb) |
| 0.0001-0.00015 | IMMERSION SILVER (Ag) |

| | | | |
|---|---|---|---|
| <small>THIS DRAWING IS A CONTROLLED DOCUMENT FOR TYCO ELECTRONICS CORPORATION IT IS SUBJECT TO THE PROTECTIVE ORDER OF THE PATENT AND TRADEMARK OFFICE WHICH IS CONTROLLED BY THE PATENT AND TRADEMARK OFFICE</small> | | DWN: M. SHIRK 08APR2008 CHK: R. HENRY 08APR2008 APVD: R. HENRY 08APR2008 | Tyco Electronics Harrisburg, PA 17105-3608 |
| DIMENSIONS: mm | TOLERANCES UNLESS OTHERWISE SPECIFIED: 0 PLC ± 1 PLC ± 2 PLC ±0.25 3 PLC ± 4 PLC ± ANGLES ±1° FINISH : | NAME: RECEPTACLE ASSEMBLY, 2X12, NON MAGNETICS, RJ POINT FIVE APPLICATION SPEC : WEIGHT : CUSTOMER DRAWING | SIZE: A CASE CODE: 00779 DRAWING NO: 2057134 RESTRICTED TO: - SCALE: 3:1 SHEET: 5 OF 5 REV: A |