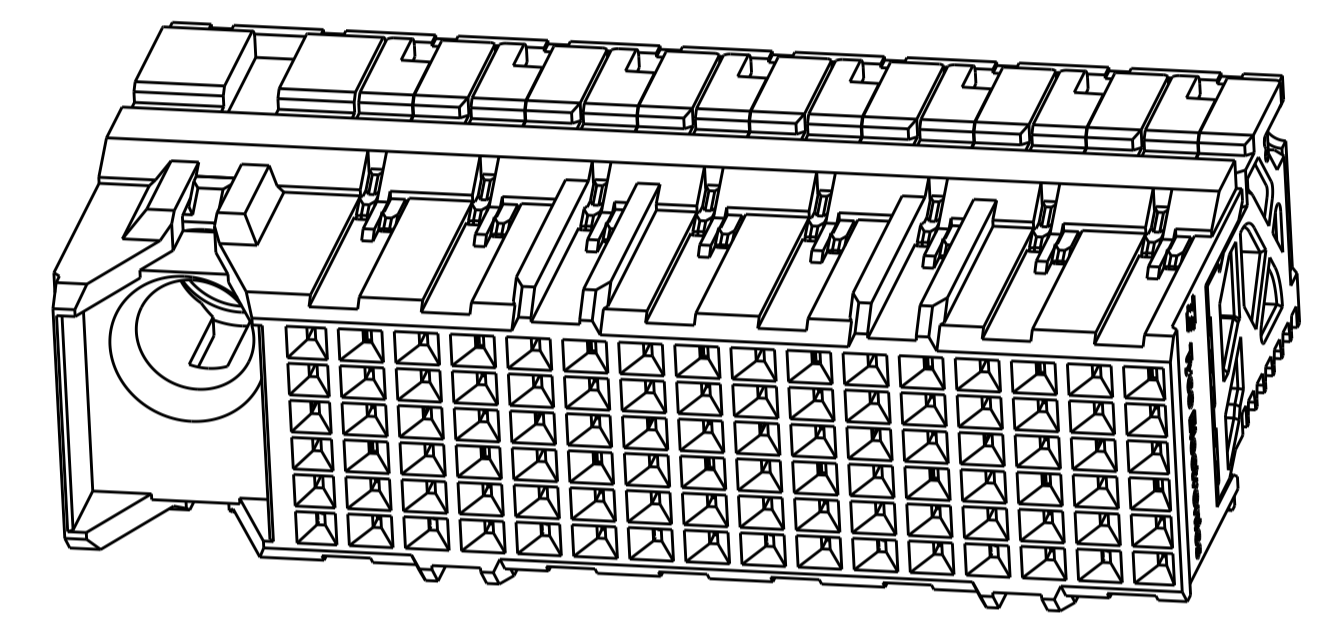
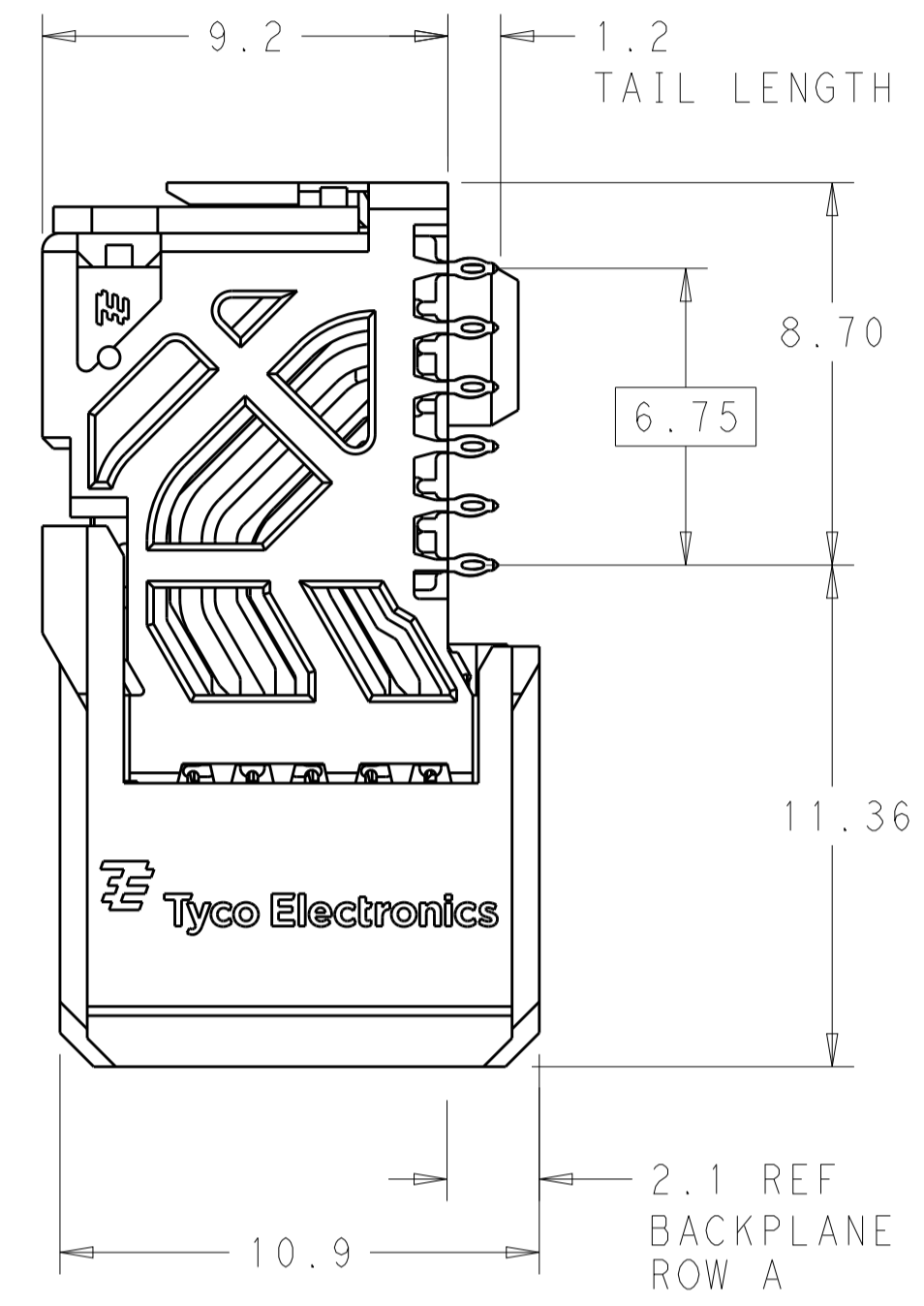
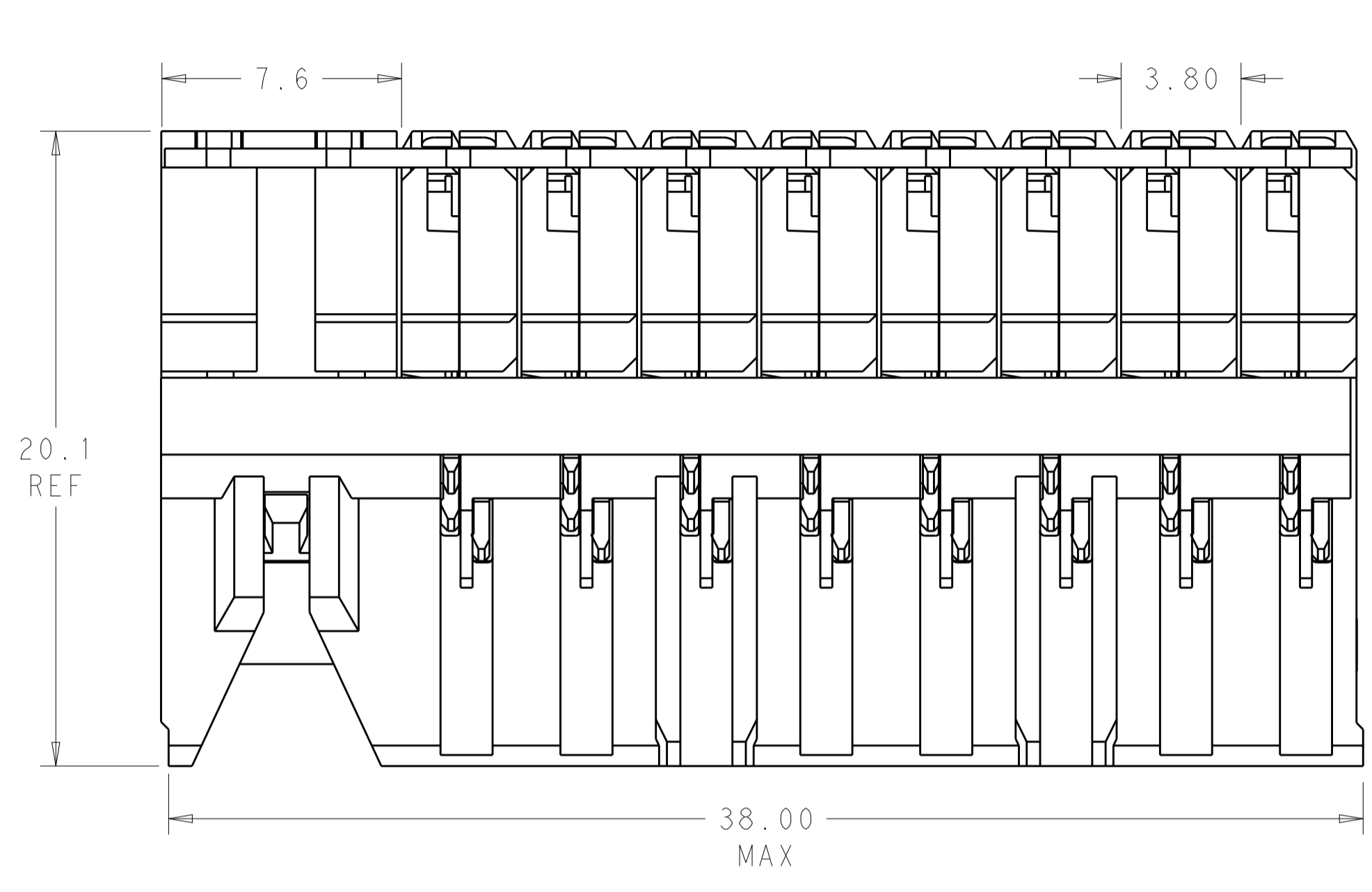


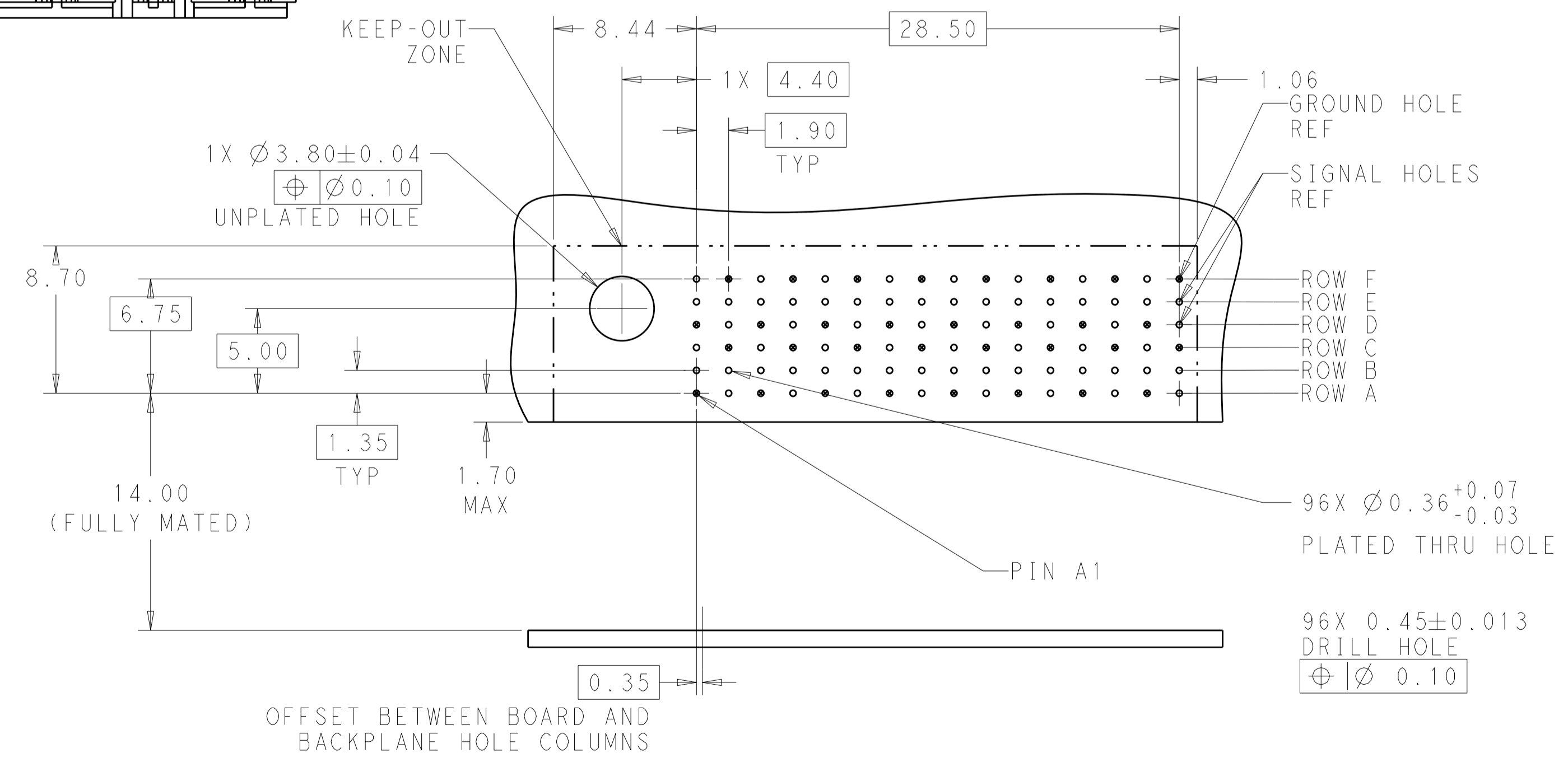
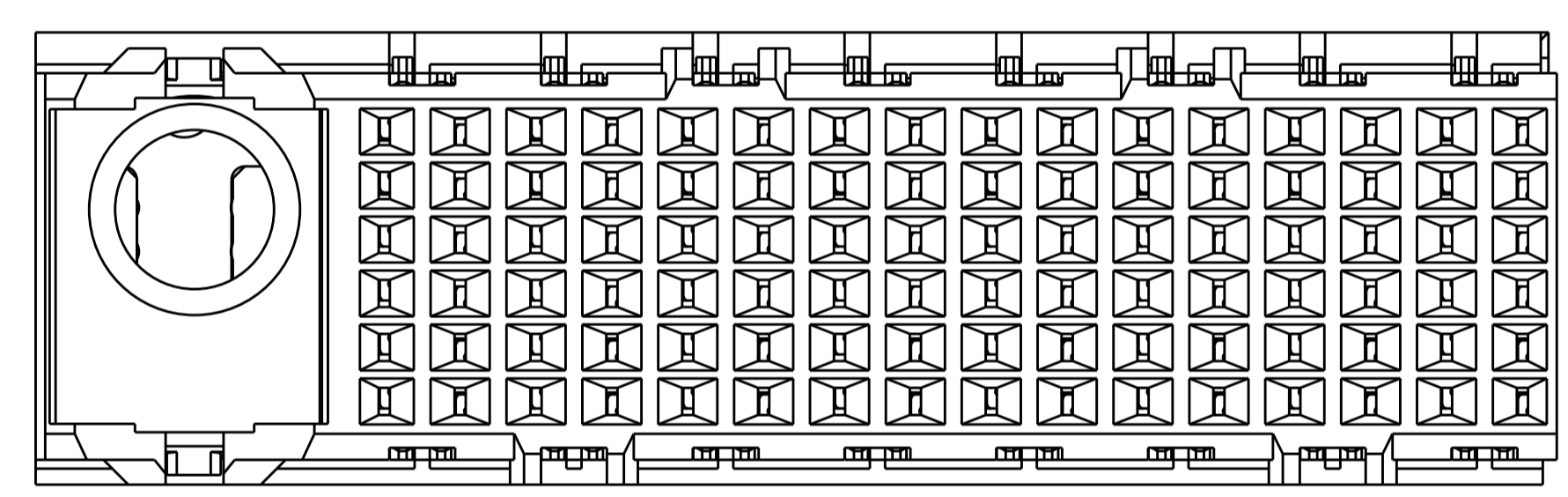
REVISIONS				
P.	LTN.	DESCRIPTION	DATE	DWN. APVD.
B2		REVISED PER ECO-14-017984	02DEC2014	AP DD

- ⚠ MATERIAL:  
HOUSING: LCP, GLASS FILLED, UL94V-0.  
TERMINALS: HIGH PERFORMANCE COPPER ALLOY.
- ⚠ FINISH:  
30µ" SELECTIVE GOLD IN CONTACT AREA. SELECTIVE TIN ON PCB TAILS, NICKEL OVERALL.
- 3. CONNECTORS SUPPLIED WITH MOUNTING SCREW.



SCALE 4:1

REFER TO WWW.TE.COM FOR PRODUCT AVAILABILITY



RECOMMENDED PCB LAYOUT  
MIN BOARD THICKNESS 1.6

NONE	⚠	2057409-1
KEY POSITION	FINISH	PART NUMBER

THIS DRAWING IS A CONTROLLED DOCUMENT.		DWN. Z. MILLER 19AUG2010	TE Connectivity
DIMENSIONS: mm		CHK. D. DIXON 19AUG2010	
TOLERANCES UNLESS OTHERWISE SPECIFIED:		APVD. D. DIXON 19AUG2010	
0 PLC ± 1 PLC ±0.2 2 PLC ±0.10 3 PLC ± 4 PLC ± ANGLES ±		NAME: IMPACT, STD, R/A, 2 PAIR, 16 COLUMN, DAUGHTERCARD, LEFT GUIDED SIGNAL MODULE, 0.36 EYELET PRODUCT SPEC APPLICATION SPEC SIZE CAGE CODE DRAWING NO WEIGHT RESTRICTED TO	
MATERIAL: SEE TABLE		Customer Drawing	A100779C=2057409 SCALE 6:1 SHEET 1 OF 1 REV B2