

## 2057631-1 Product Details

[Share](#) [Print](#) [Email](#)



**2057631-1**

TE Internal Number: 2057631-1  
✔ Active

[View 3D PDF](#)

### Pluggable Connectors, Cages & Accessories

✔ Always EU RoHS/ELV Compliant (Statement of Compliance)

#### Product Highlights:

- CFP Product Line
- Accessory
- CFP Application
- Accessory Type = Receptacle Cover
- For Use With CFP Assembly

[View all Features](#)

### Quick Links

- ▶ [Pricing & Availability](#)
- ▶ [Search for Tooling](#)
- ▶ [Product Feature Selector](#)
- ▶ [Contact Us About This Product](#)

[Add to My Part List](#) [Request Sample](#) [Find Similar Products](#) [Buy Product](#)

### Documentation & Additional Information

#### Product Drawings:

- [COVER ASSEMBLY, HOST CONNECTOR, 100 GIG, CFP \(PDF, English\)](#)

#### Catalog Pages/Data Sheets:

- [1-1773717-7\\_PLUGGABLE\\_IO\\_QRG\\_CN \(PDF, English\)](#)
- [1-1773717-8\\_PLUGGABLEIO\\_QRG\\_TCN \(PDF, English\)](#)
- [1-1773717-9\\_HIGH\\_SPEED\\_IO\\_QRG\\_JA \(PDF, English\)](#)
- [CFP\\_40G\\_100G\\_ETHERNET\\_CONNECTORS \(PDF, English\)](#)
- [4-1773455-2 - Quick Reference Guide Pluggable I/O So... \(PDF, English\)](#)

#### Product Specifications:

- [CFP 100 Gigabit Pluggable Host Connector and Transce... \(PDF, English\)](#)

#### Application Specifications:

- [CFP Host Board Assembly \(PDF, English\)](#)

#### Instruction Sheets:

- [CFP Host Board Assembly \(PDF, English\)](#)

#### CAD Files: (CAD Format & Compression Information)

- [2D Drawing \(DXF, Version B\)](#)
- [3D Model \(IGES, Version B\)](#)
- [3D Model \(STEP, Version B\)](#)

[List all Documents](#)

#### Related Products:

- [Tooling](#)

### Product Features (Please use the Product Drawing for all design activity)

#### Product Type Features:

- Product Line = CFP
- Product Type = Accessory
- Accessory Type = Receptacle Cover

#### Electrical Characteristics:

- Data Signal Rate (Gb/s) = Up to 100

#### Dimensions:

- PCB Thickness, Recommended (mm [in]) = 2.00 [0.079]

#### Industry Standards:

- [RoHS/ELV Compliance](#) = RoHS compliant, ELV compliant
- [Lead Free Solder Processes](#) = Not relevant for lead free process
- [RoHS/ELV Compliance History](#) = Always was RoHS compliant

#### Conditions for Usage:

- [For Use With](#) = CFP Assembly

#### Operation/Application:

- [Application](#) = CFP

#### Packaging Features:

- [Packaging Method](#) = Tray

#### Other:

- [Brand](#) = TE Connectivity

### Corporate Information

[About TE](#)  
[Investors](#)  
[News Room](#)  
[Supplier Portal](#)  
[Careers](#)

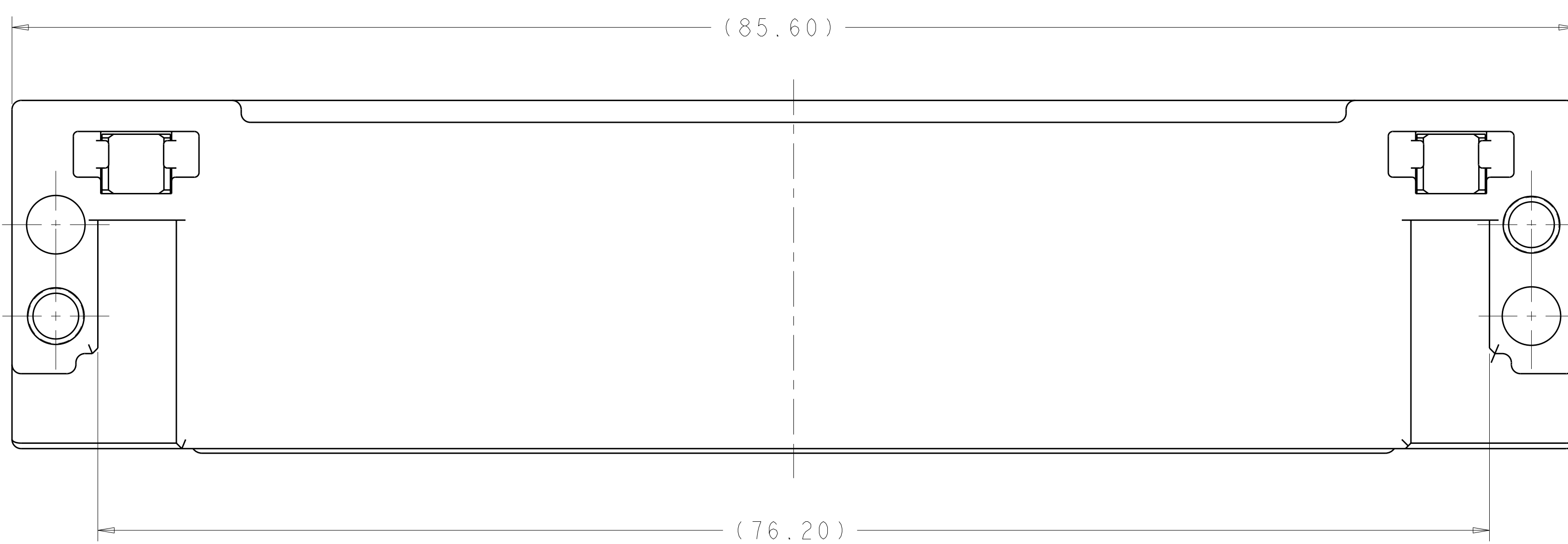
### Quick Links

[Distributor Inventory](#)  
[Product Cross Reference](#)  
[Documents & Drawings](#)  
[Product Compliance Support Center](#)  
[Site Map](#)

### Customer Support

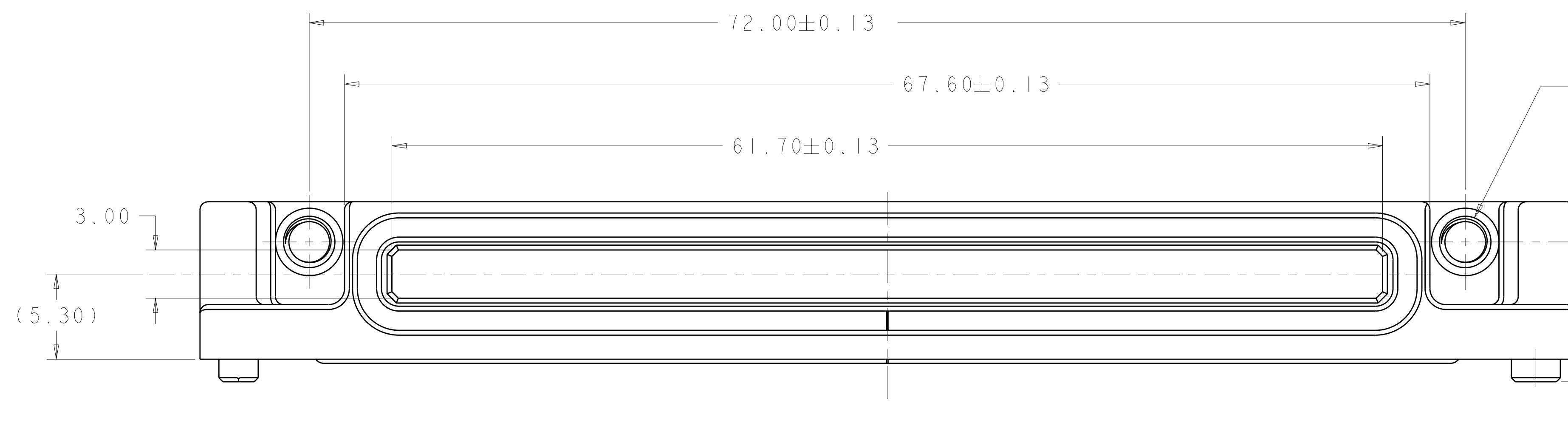
[Email or Chat With Us](#)  
[Find a Phone Number](#)  
[Knowledge Base](#)  
[Manage Your Account](#)

LOC		DIST		REVISIONS			
GP	00	REV	DATE	BY	CHK	APPV	
		A	14MAY2012	CJV	MRS		



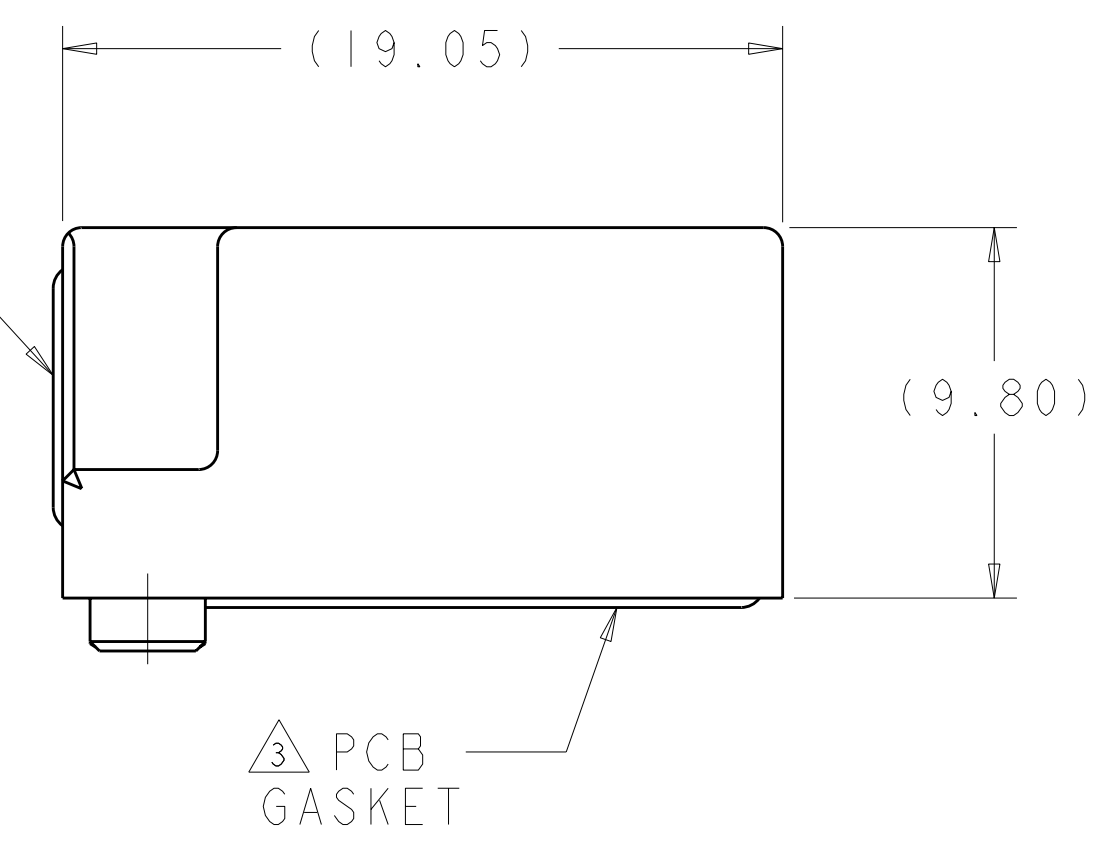
- △ ZINC ALLOY PER ASTM-B-86, ALLOY AG40A.
- △ NICKEL PLATE PER QQ-N-290.
- △ CHO SEAL 1273 SILVER PLATED COPPER IN SILICONE.
- △ STAINLESS STEEL PER ASTM-A-582, TYPE 303.
- △ ONE-PART SILICONE ADHESIVE.

RECEPTACLE COVER  
 △△



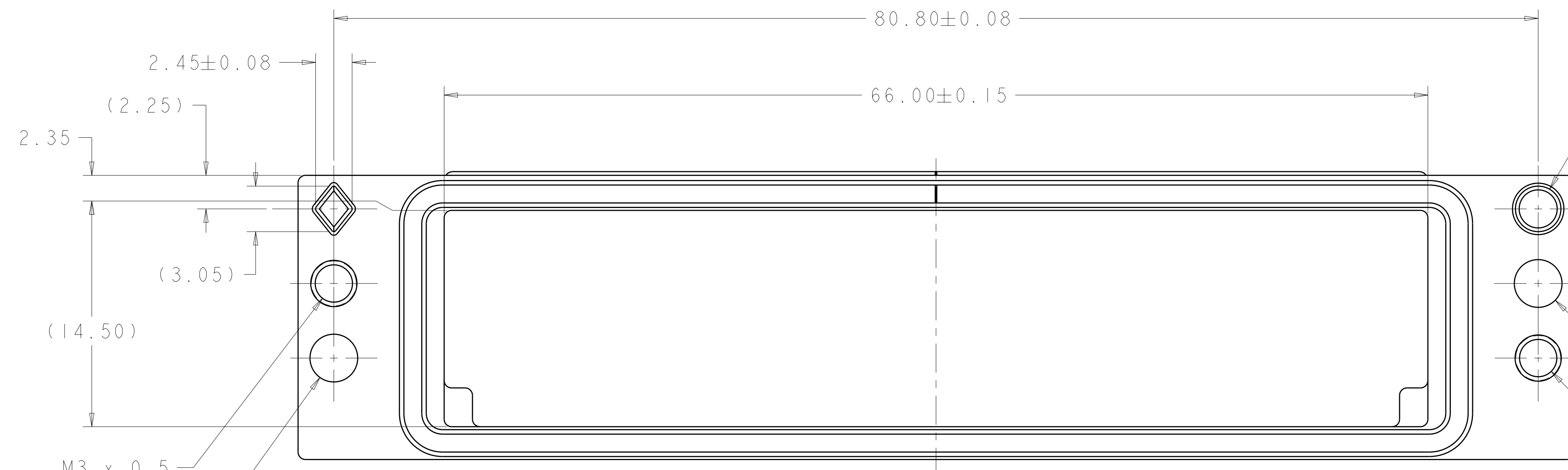
△4  
 THREADED INSERT

△△3  
 INTERFACE GASKET



△ PCB GASKET

2X 1.40



Ø3.05±0.05

(2.25)

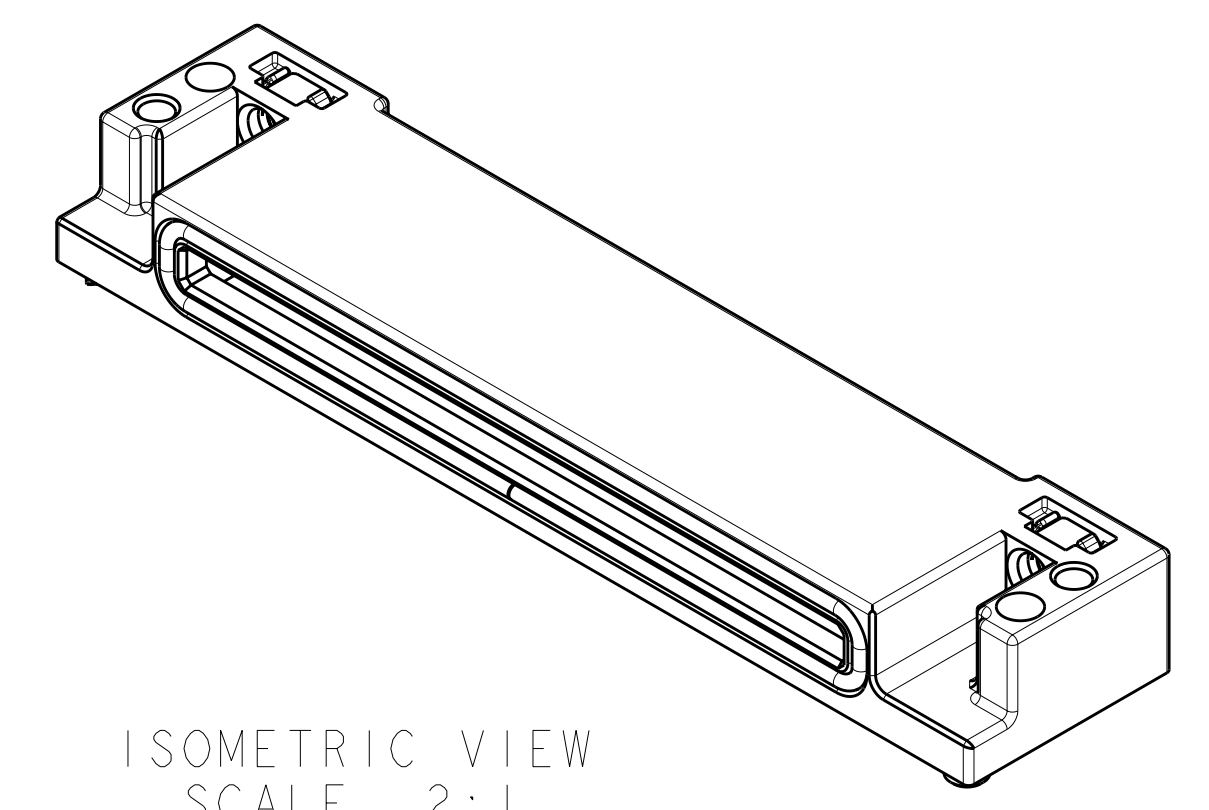
(5.00) 2X

(10.00) 2X

(Ø3.20)

M3x0.5 TAPPED HOLE

M3 x 0.5 TAPPED HOLE



ISOMETRIC VIEW  
 SCALE 2:1

2057631-1  
 PART NUMBER

THIS DRAWING IS A CONTROLLED DOCUMENT. DIMENSIONING AND TOLERANCING PER ASME Y14.5M-2009.		DWN P. KERLIN CHK E. BRIGHT APPV	07NOV2008 07NOV2008	TE Connectivity NAME COVER ASSEMBLY, HOST CONNECTOR, 100 GIG, CFP
DIMENSIONS:	TOLERANCES UNLESS OTHERWISE SPECIFIED:	PRODUCT SPEC 108-2399		
mm	0 PLC ± 1 PLC ±0.10 2 PLC ± 3 PLC ± 4 PLC ± ANGLES ± FINISH	APPLICATION SPEC 114-13263		SIZE A100779
MATERIAL		WEIGHT		SCALE 5:1
		CUSTOMER DRAWING		SHEET 1 OF 1