

Distributed by:

**JAMECO**<sup>®</sup>  
ELECTRONICS

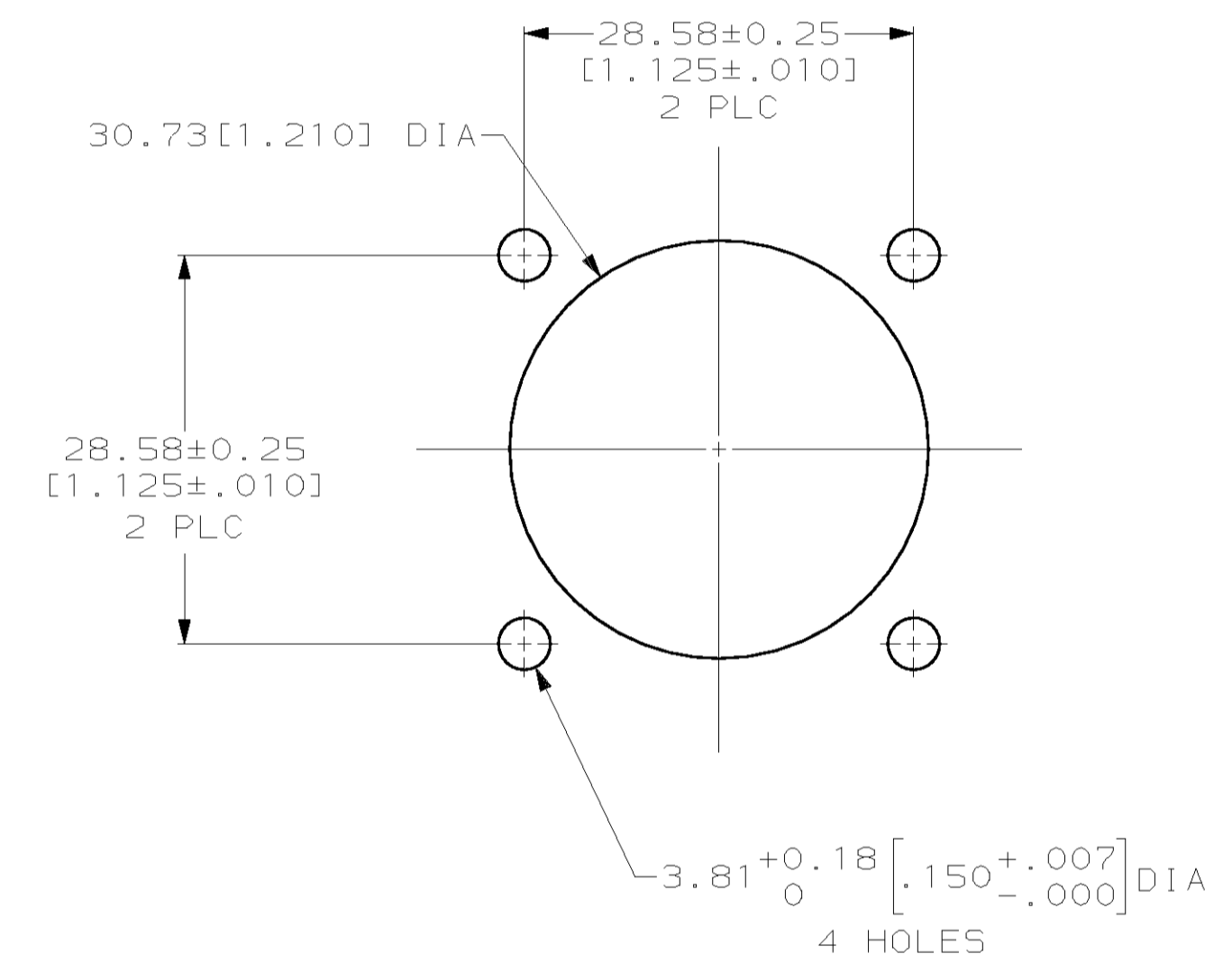
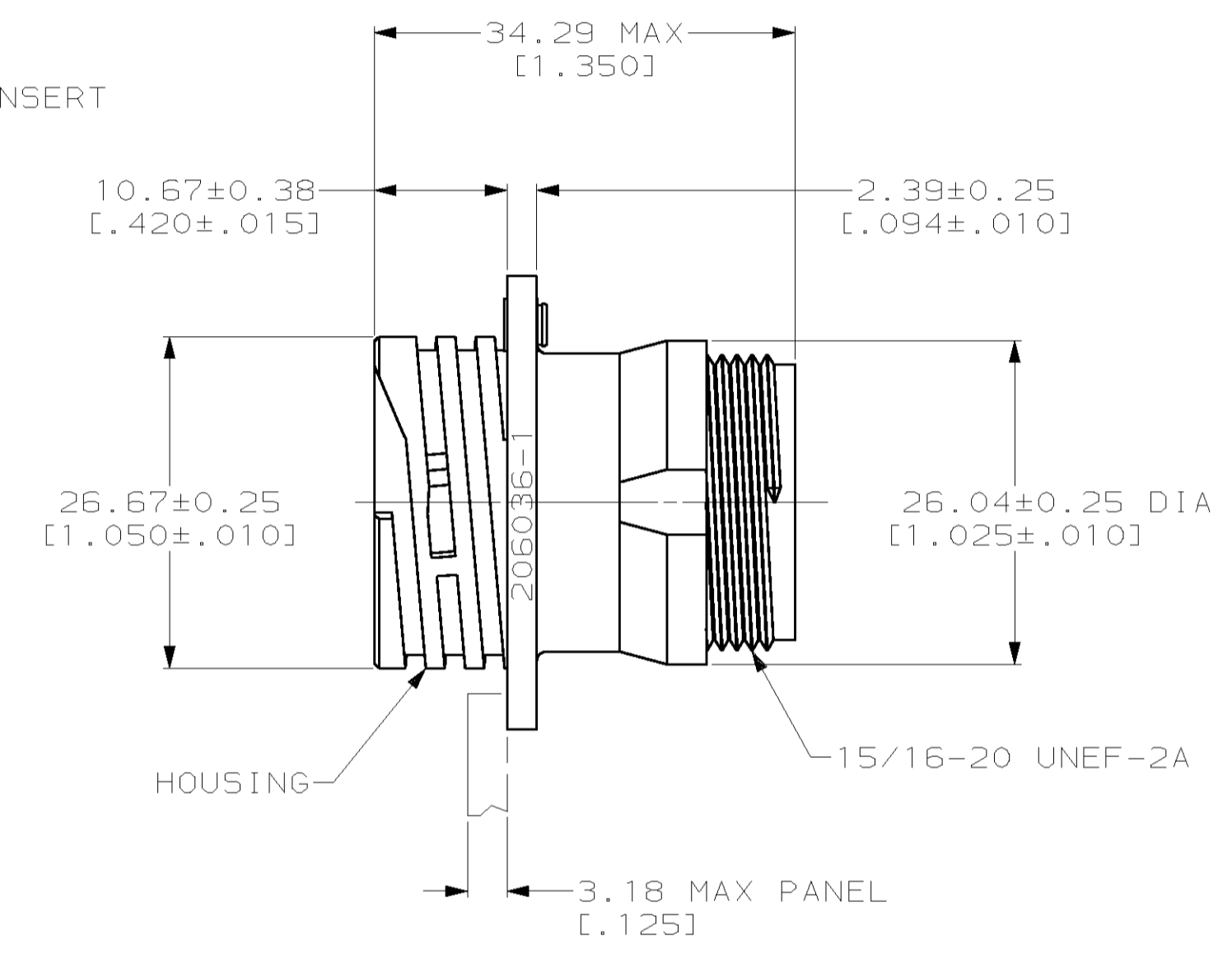
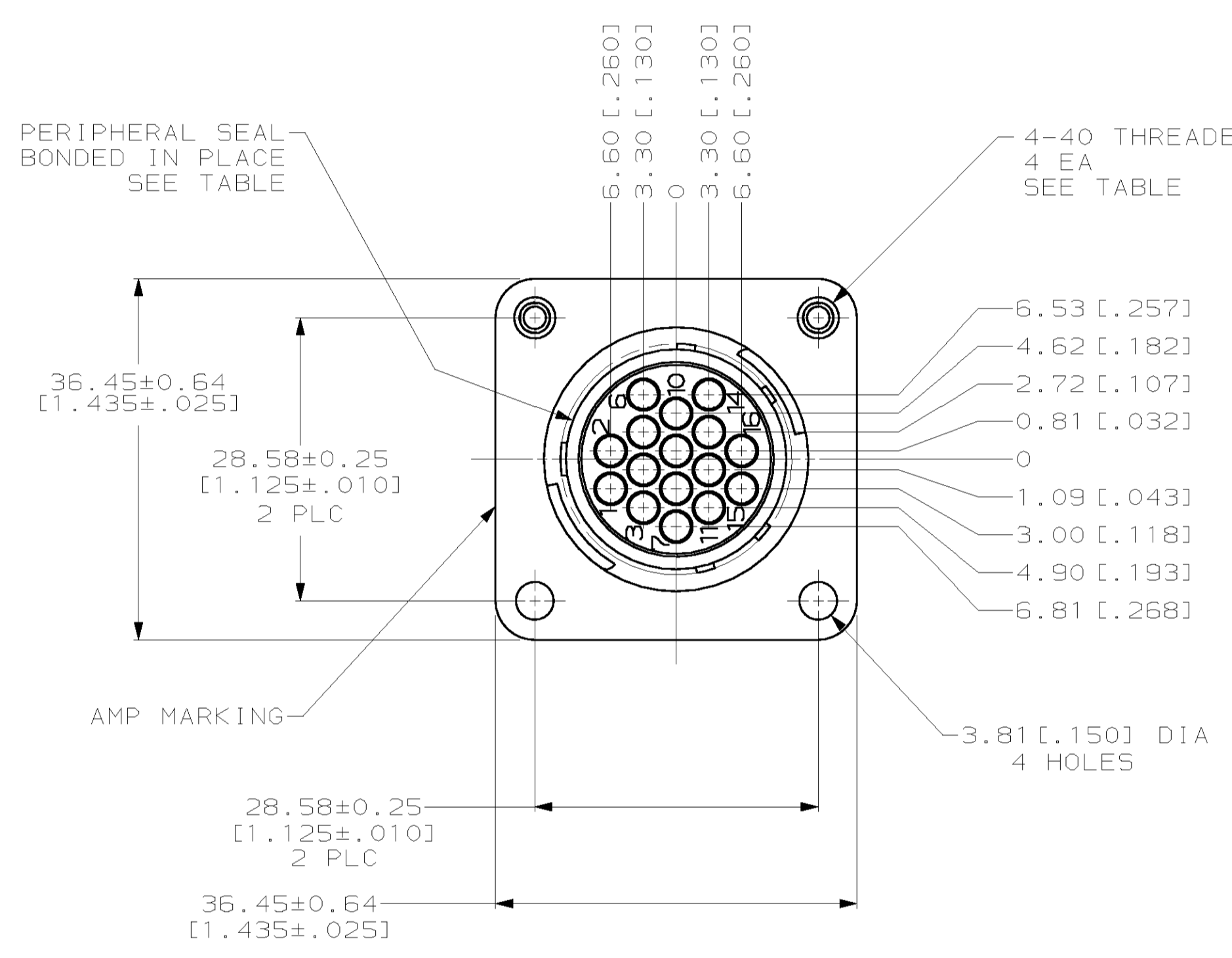
**www.Jameco.com ♦ 1-800-831-4242**

The content and copyrights of the attached  
material are the property of its owner.

Jameco Part Number 495550

LOC	DIST	REVISIONS			
F	CHR	DESCRIPTION	DATE	ENR	APVD
R		REVISED PER EC 0638-0025-99	05OCT99	LM	MC

- ⚠ HOUSING: NYLON, BLACK.  
PERIPHERAL SEAL: ELASTOMER, GRAY.  
THREADED INSERTS: BRASS.
- 2. CAVITY IDENTIFICATION ON FRONT AND REAR FACE.
- 3. WILL ACCEPT (16) MULTIMATE PIN CONTACTS.
- ⚠ HOUSING: NYLON, BLUE.  
PERIPHERAL SEAL: ELASTOMER, GRAY.  
THREADED INSERTS: BRASS.



⚠	STANDARD	NO	YES	206036-9
-	STANDARD	YES	NO	206036-8
-	SMALL PACK	NO	NO	206036-7
-	STANDARD	NO	YES	206036-4
⚠	STANDARD	NO	NO	206036-1
MATERIAL	PACKAGING	4-40 THREADED INSERTS	PERIPHERAL SEAL	PART NUMBER

THIS DRAWING IS A CONTROLLED DOCUMENT.

DWN: D. GELTZ 07/27/93  
 CHK: R. STONE 7-22-93  
 APVD: A. FRANTUM 8-12-93

AMP Incorporated  
 Harrisburg, PA 17105-3608

NAME: RECEPTACLE HOUSING, STD SEX, SHELL SIZE 17, CPC

PRODUCT SPEC: 108-10024

APPLICATION SPEC: -

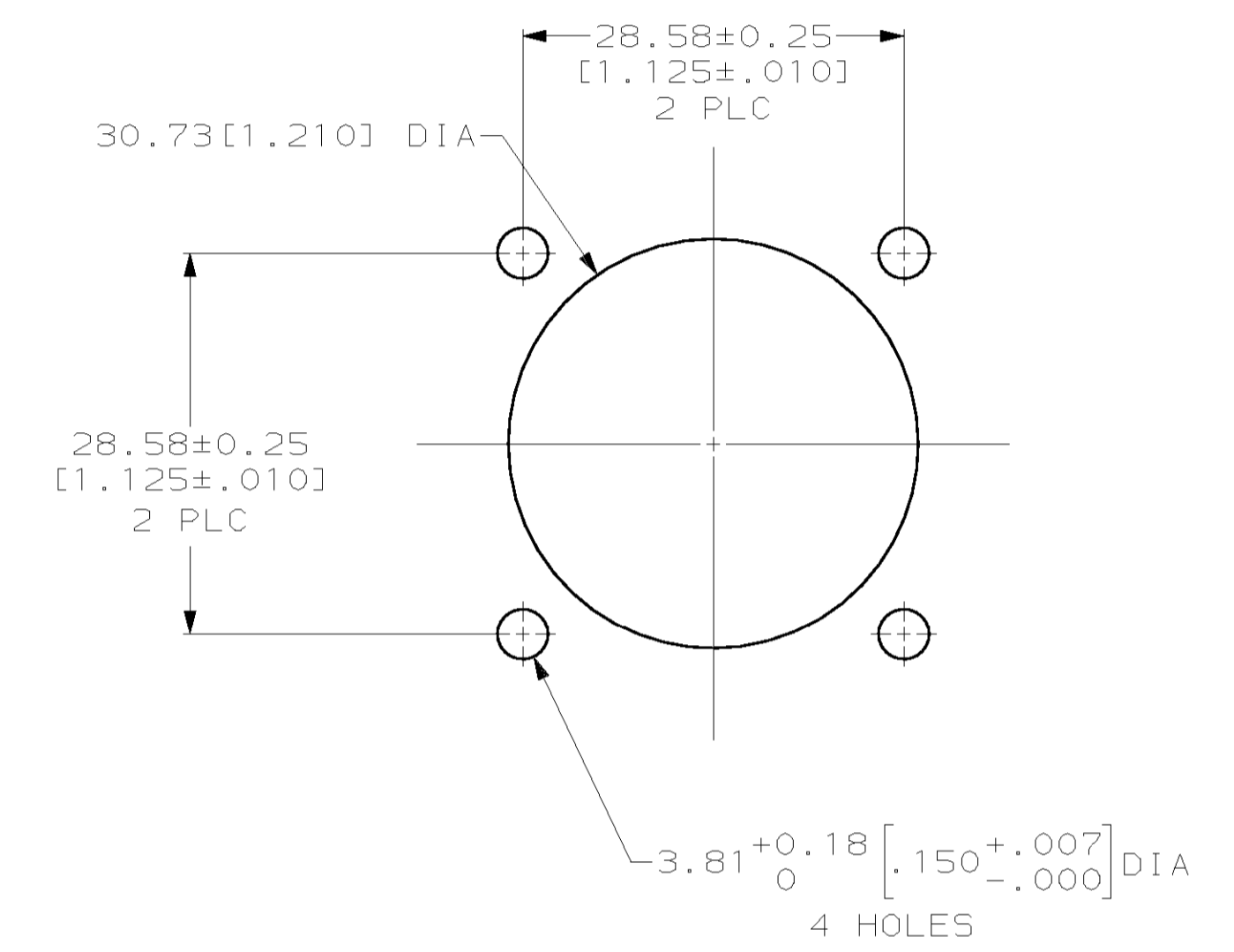
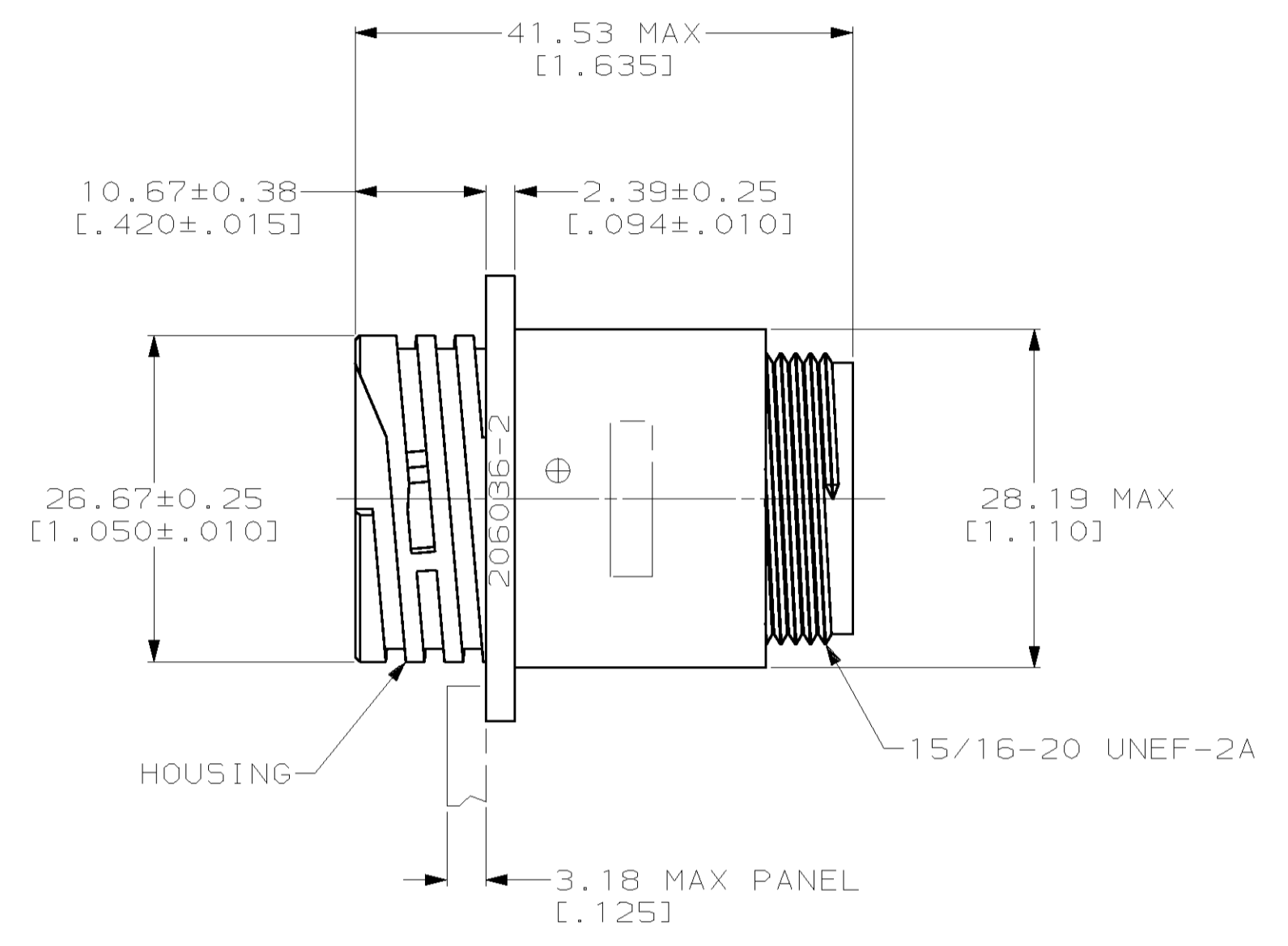
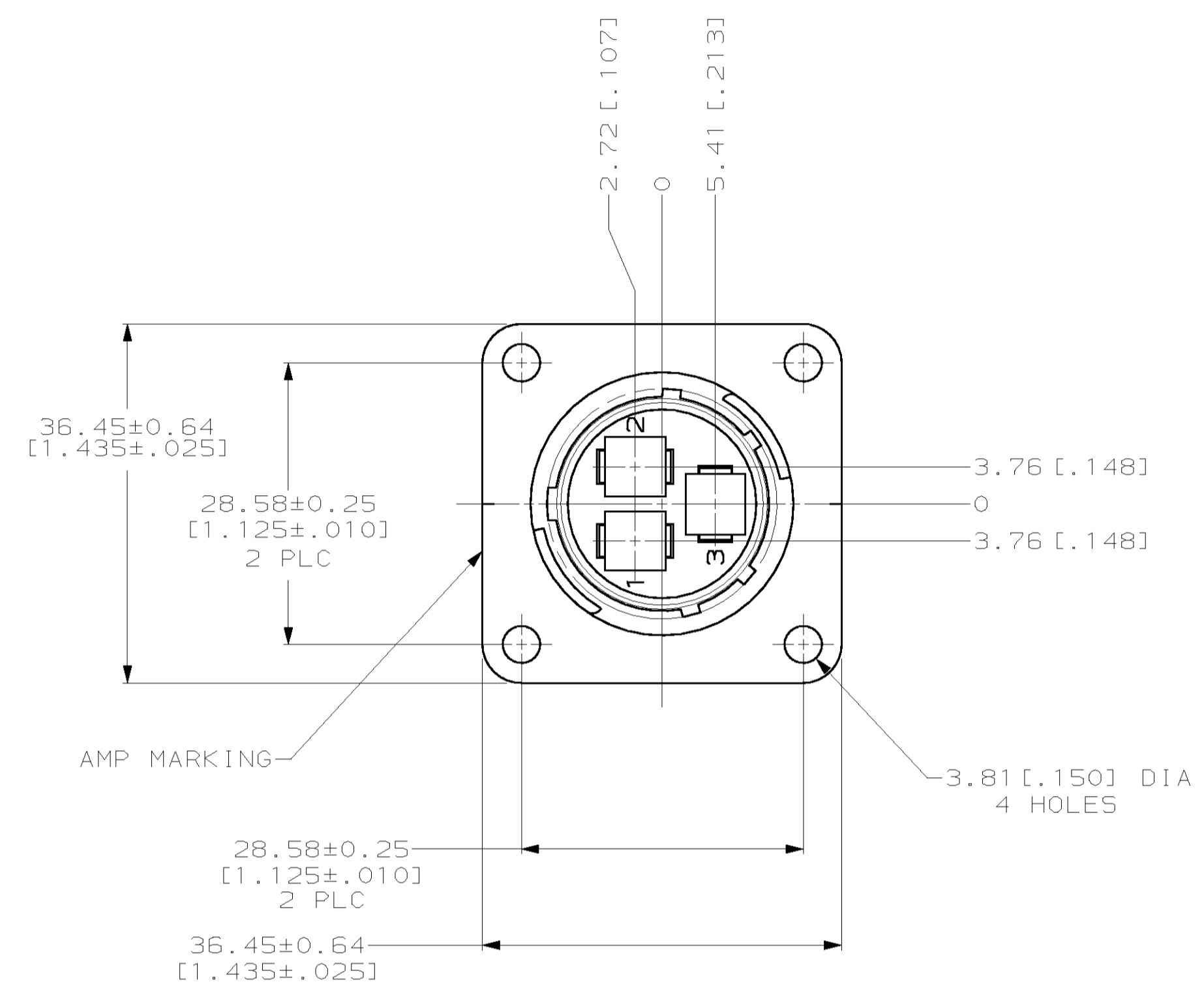
SIZE: A1 CAGE CODE: 00779 DRAWING NO: 206036 RESTRICTED TO: -

WEIGHT: -

CUSTOMER DRAWING SCALE: 2:1 SHEET: 1 OF 3 REV: R

LOC	DIST	REVISIONS			
F	CHR	DESCRIPTION	DATE	OWN	APVD
-	-	SEE SHEET 1	-	-	-

1. CAVITY IDENTIFICATION ON FRONT AND REAR FACE.
2. WILL ACCEPT (3) TYPE XII PIN CONTACTS.



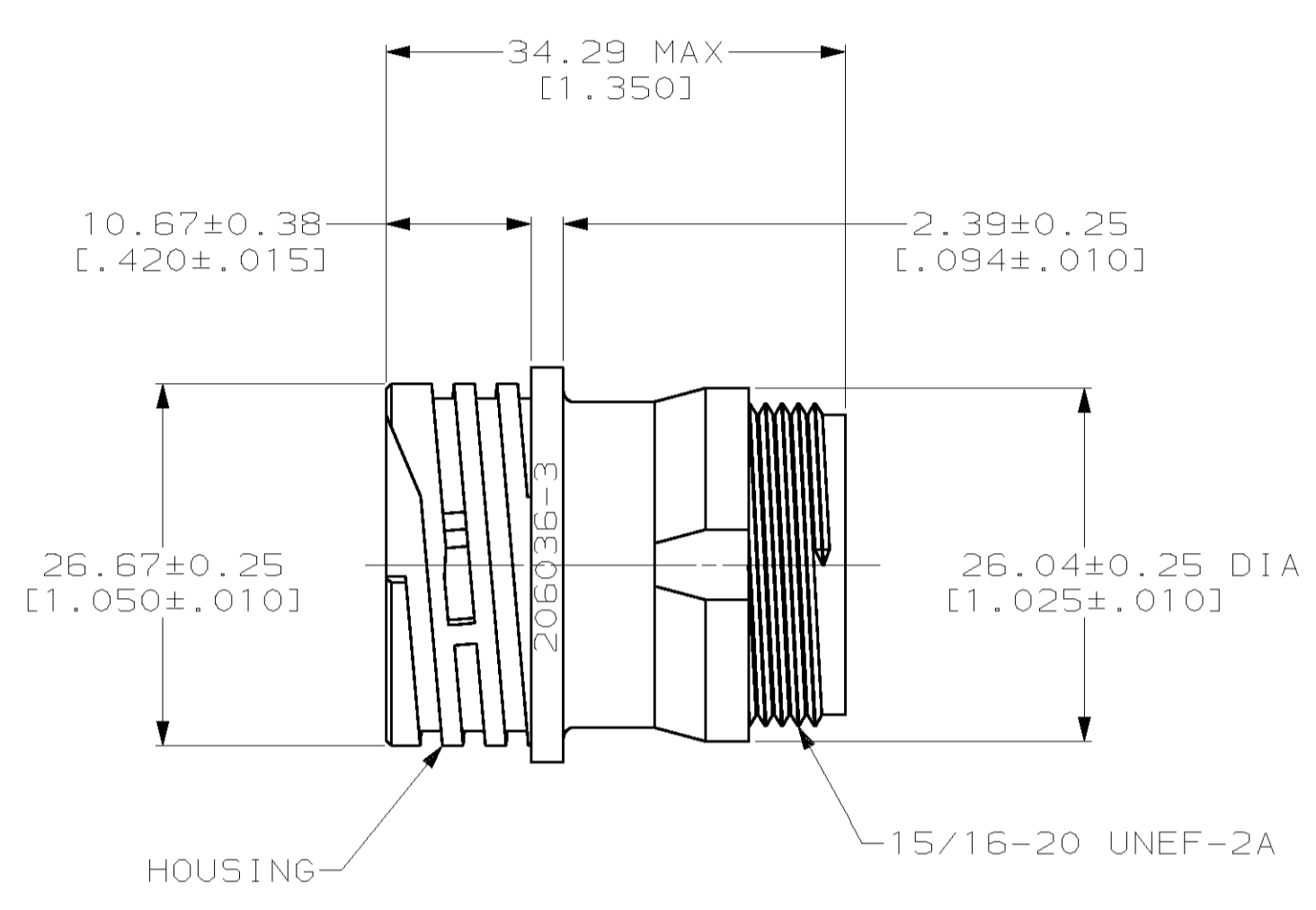
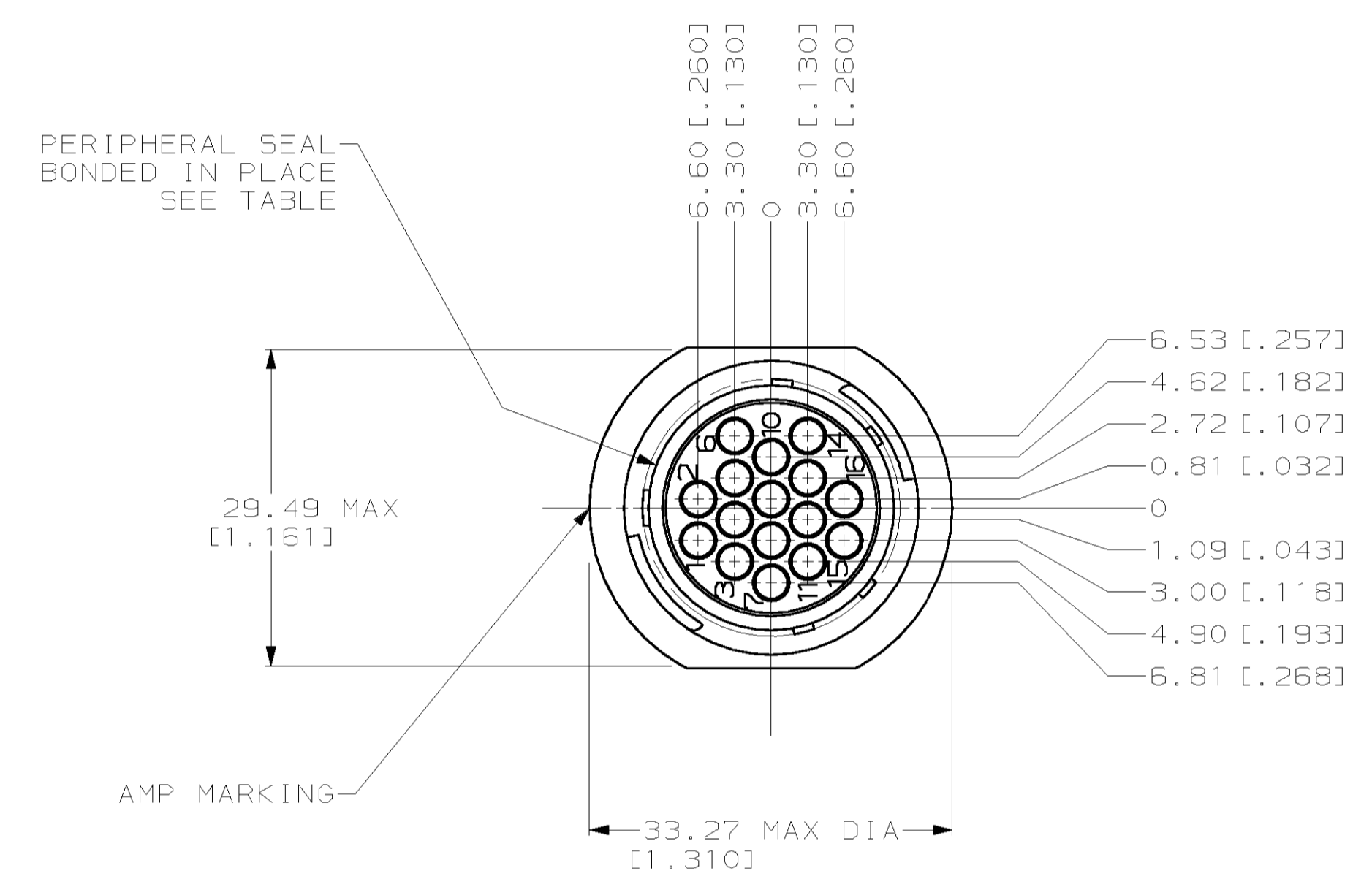
RECOMMENDED PANEL CUTOUT

206036-2  
PART NO

THIS DRAWING IS A CONTROLLED DOCUMENT.		DWN D. GELTZ 07/27/93	AMP Incorporated Harrisburg, PA 17105-3608	
DIMENSIONS: mm (INCHES)		CHK R. STONE 7-22-93	NAME RECEPTACLE HOUSING, STD SEX, SHELL SIZE 17, CPC	
TOLERANCES UNLESS OTHERWISE SPECIFIED:		APVD A. FRANTUM 8-12-93	PRODUCT SPEC 108-10024	
0 PLC ± 1 PLC ± 2 PLC ±0.13 (.005) 3 PLC ± 4 PLC ±		APPLICATION SPEC	SIZE A1	
MATERIAL HOUSING: NYLON, BLACK PERIPHERAL SEAL: ELASTOMER, GRAY		FINISH -	WEIGHT -	RESTRICTED TO -
CUSTOMER DRAWING		SCALE 2:1	SHEET 2 OF 3	REV R

LOC	DIST	REVISIONS			
F	CHR	DESCRIPTION	DATE	OWN	APVD
-	-	SEE SHEET 1	-	-	-

1. CAVITY IDENTIFICATION ON FRONT AND REAR FACE.
2. WILL ACCEPT (16) MULTIMATE PIN CONTACTS.



YES	206036-5
NO	206036-3
PERIPHERAL SEAL	PART NO

THIS DRAWING IS A CONTROLLED DOCUMENT.		DWN D. GELTZ 7-27-93	07-27-93	AMP Incorporated Harrisburg, PA 17105-3608
DIMENSIONS: mm (INCHES)		CHK R. STONE 8-12-93	7-22-93	
TOLERANCES UNLESS OTHERWISE SPECIFIED:		APP'D A. FRANTUM	8-12-93	NAME RECEPTACLE HOUSING, STD SEX, SHELL SIZE 17, CPC
0 PLC ± 1 PLC ± 2 PLC ±0.13 (1.005) 3 PLC ± 4 PLC ± ANGLES ±		PRODUCT SPEC 108-10024	APPLICATION SPEC	
MATERIAL HOUSING: NYLON, BLACK PERIPHERAL SEAL: ELASTOMER, GRAY		FINISH -	WEIGHT -	SIZE CAGE CODE DRAWING NO RESTRICTED TO A1 00779 206036 -
CUSTOMER DRAWING		SCALE 2:1		SHEET 3 OF 3 REV R