



**Have a Question?**  
 Chat with a Product  
 Information Specialist

What can we help you find?

[Products](#) | 
 [Industries](#) | 
 [Resources](#) | 
 [About TE](#) | 
 [My Account](#) | 
 [Innovation](#) | 
 [Support Center](#)

## 206036-3 Product Details

[Share](#) | 
 [Print](#) | 
 [Email](#)



**206036-3**

TE Internal Number: 206036-3

Active

View 3D PDF

### CPC (Circular Plastic) and Circular Metal-Shell Connectors

Always EU RoHS/ELV Compliant (Statement of Compliance)

**Product Highlights:**

- Housing
- Connector Style = Receptacle
- 16 Positions
- 16 Signal Positions
- 0 Power Positions

[View all Features](#)

### Quick Links

- ▶ [Pricing & Availability](#)
- ▶ [Search for Tooling](#)
- ▶ [View Mating Products \(4\)](#)
- ▶ [Product Feature Selector](#)
- ▶ [Contact Us About This Product](#)

[Add to My Part List](#) | 
 [Request Sample](#) | 
 [Find Similar Products](#) | 
 [Buy Product](#)

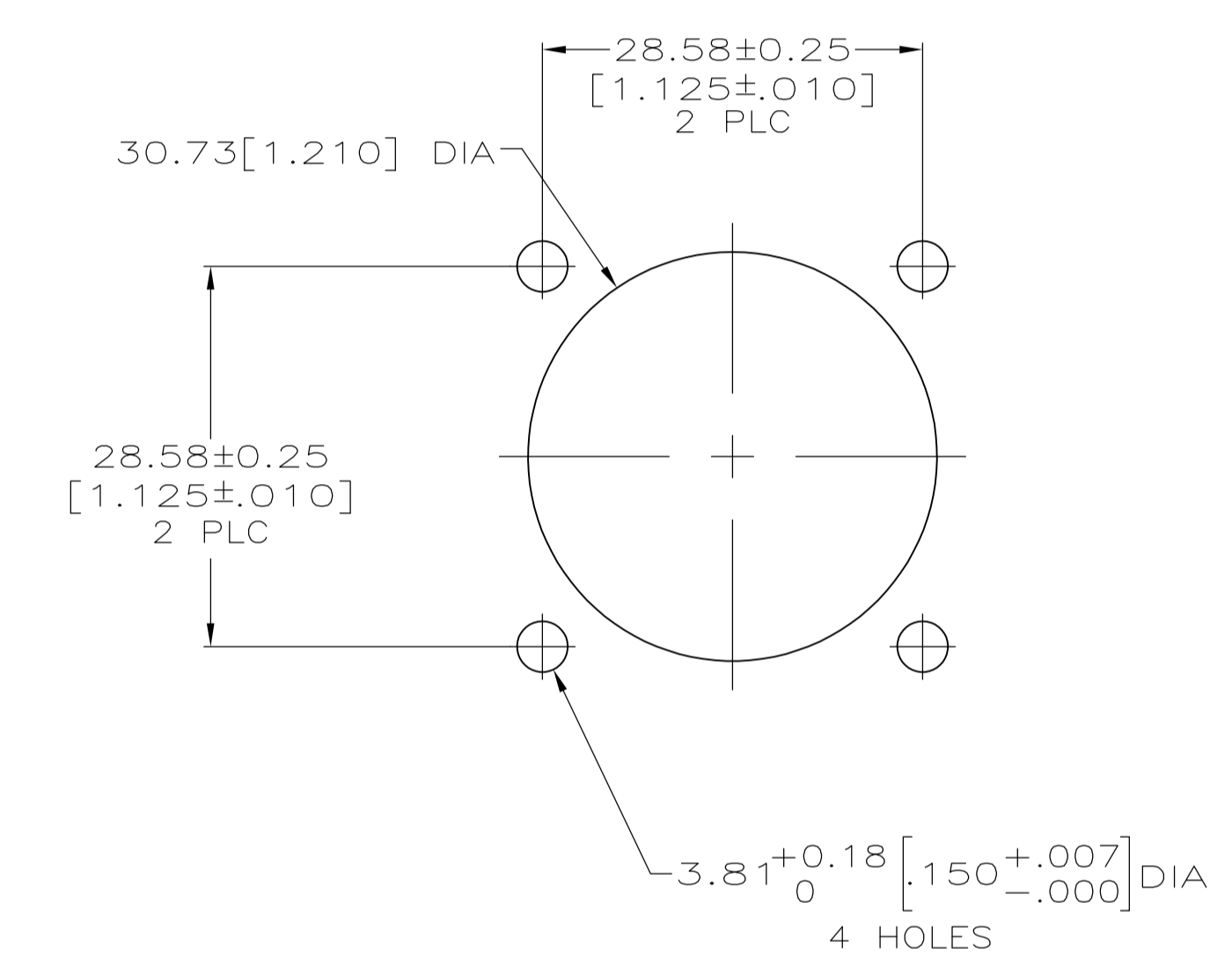
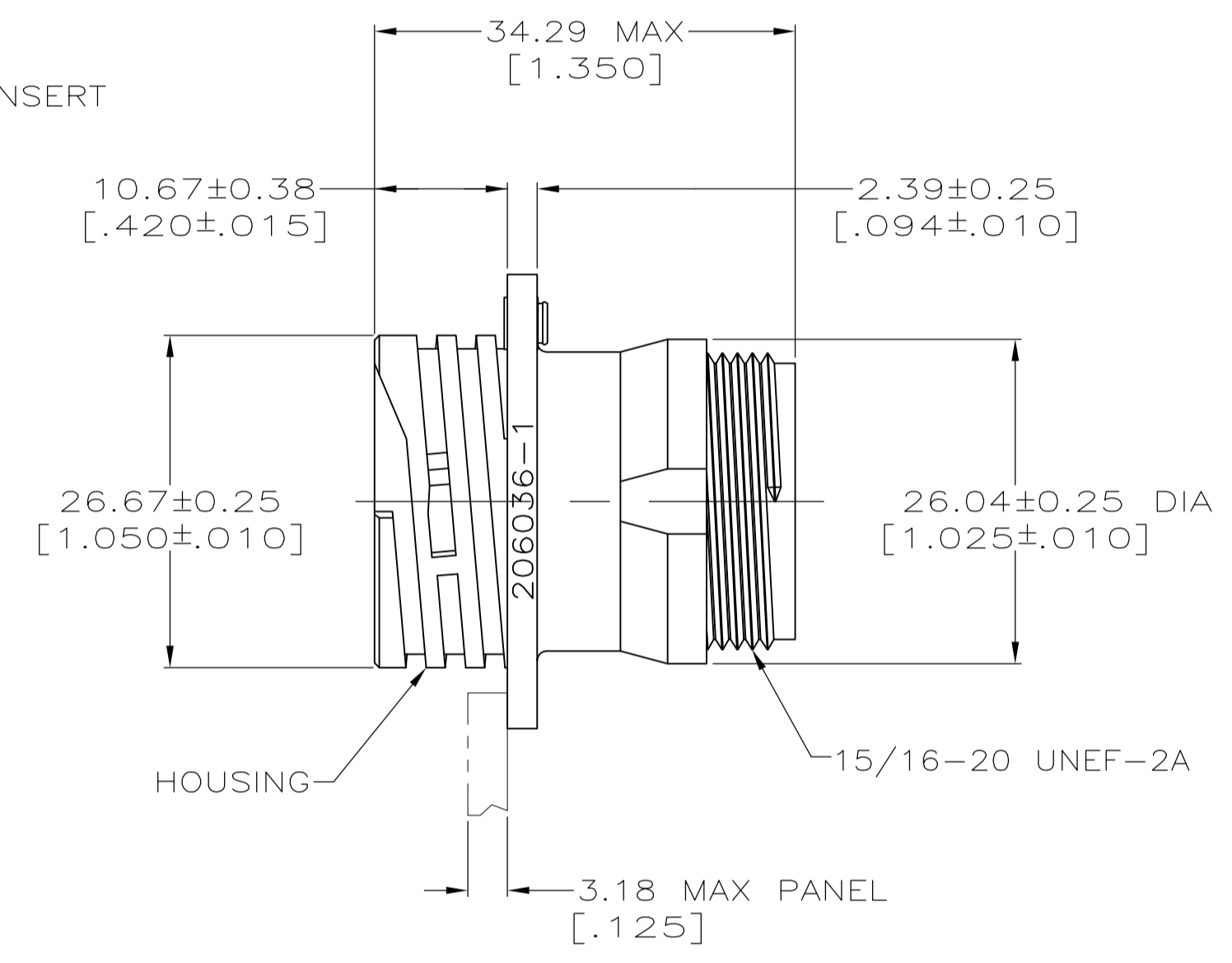
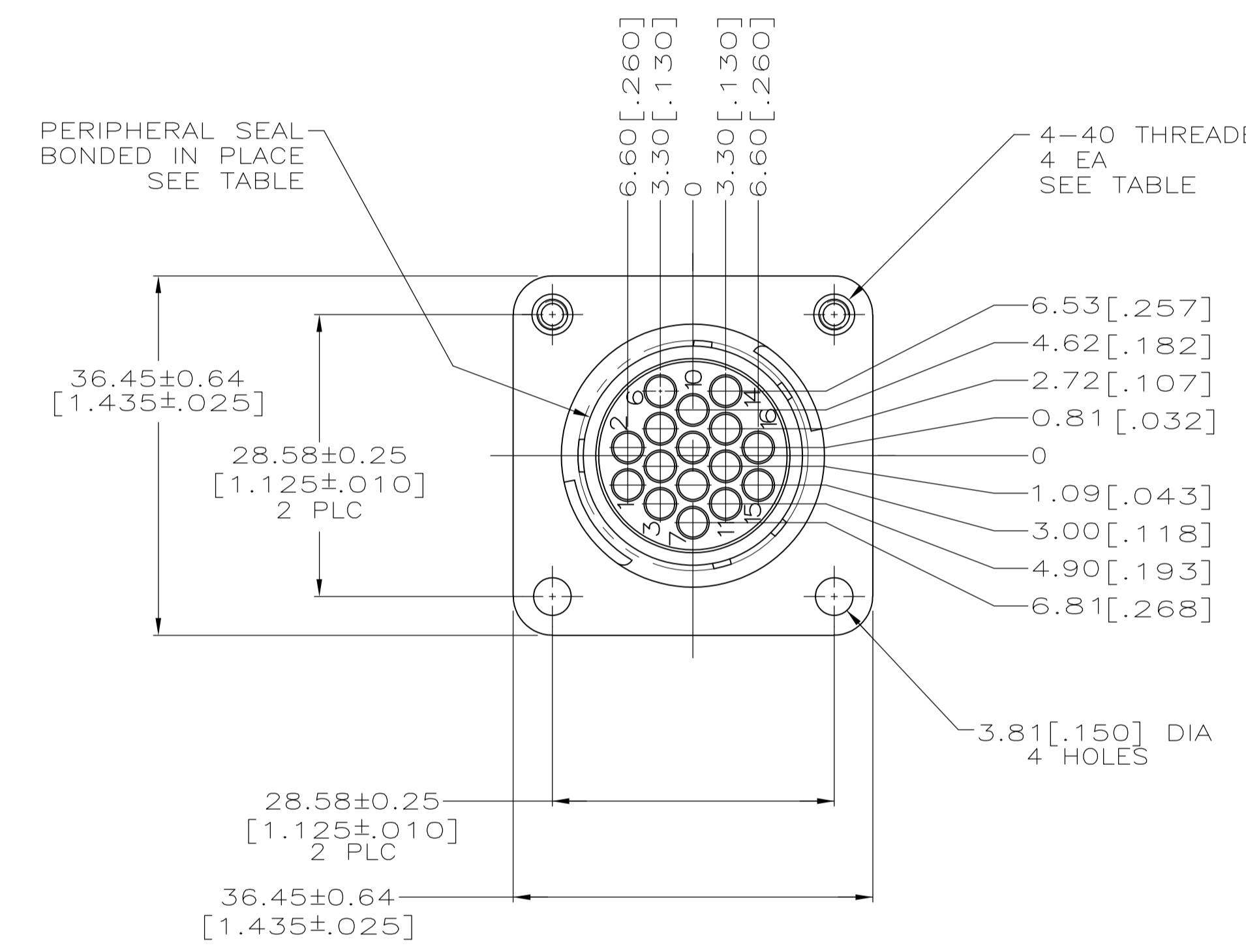
Documentation & Additional Information	
<p><b>Product Drawings:</b></p> <ul style="list-style-type: none"> <li>• <a href="#">RECEPTACLE HOUSING, STD SEX, SHELL SIZE 17, CPC (PDF, English)</a></li> </ul> <p><b>Catalog Pages/Data Sheets:</b></p> <ul style="list-style-type: none"> <li>• <a href="#">AMP Circular Connectors for Commercial Signal &amp; Powe... (PDF, English)</a></li> </ul> <p><b>Product Specifications:</b></p> <ul style="list-style-type: none"> <li>• None Available</li> </ul> <p><b>Application Specifications:</b></p> <ul style="list-style-type: none"> <li>• <a href="#">Circular Plastic Connectors (CPC) (PDF, English)</a></li> </ul> <p><b>Instruction Sheets:</b></p> <ul style="list-style-type: none"> <li>• <a href="#">Circular Plastic Connectors (CPC) (PDF, English)</a></li> </ul> <p><b>CAD Files:</b> <a href="#">(CAD Format &amp; Compression Information)</a></p> <ul style="list-style-type: none"> <li>• <a href="#">2D Drawing (DXF, Version AV)</a></li> <li>• <a href="#">3D Model (IGES, Version AV)</a></li> <li>• <a href="#">3D Model (STEP, Version AV)</a></li> </ul>	<p><b>Additional Product Images:</b></p> <ul style="list-style-type: none"> <li>• <a href="#">Contact Arrangement</a></li> </ul> <p><b>Related Products:</b></p> <ul style="list-style-type: none"> <li>• <a href="#">Tooling</a></li> <li>• <a href="#">Mating Products (4)</a></li> </ul>

[List all Documents](#)

Product Features (Please use the Product Drawing for all design activity)	
<p><b>Product Type Features:</b></p> <ul style="list-style-type: none"> <li>• Connector Type = Housing</li> <li>• Mount Angle = Straight</li> <li>• Shell Size = 17</li> <li>• Shell Type = All Plastic</li> <li>• Product Series = Series 1</li> <li>• Thread Size = 15/16-20 UNEF-2A</li> <li>• Sealed = No</li> </ul> <p><b>Mechanical Attachment:</b></p> <ul style="list-style-type: none"> <li>• <a href="#">Mount</a> = Free Hanging</li> <li>• Mating Retention Type = Threaded Coupling</li> </ul> <p><b>Contact Features:</b></p> <ul style="list-style-type: none"> <li>• <a href="#">Contact Type</a> = Pin</li> <li>• <a href="#">Reverse Gender</a> = Standard</li> </ul> <p><b>Housing Features:</b></p> <ul style="list-style-type: none"> <li>• <a href="#">Connector Style</a> = Receptacle</li> <li>• Mating Alignment Type = Keyed</li> <li>• Housing Material = Nylon</li> <li>• Housing Color = Black</li> <li>• UL Flammability Rating = UL 94V-0</li> </ul>	<p><b>Configuration Features:</b></p> <ul style="list-style-type: none"> <li>• <a href="#">Number of Positions</a> = 16</li> <li>• <a href="#">Number of Signal Positions</a> = 16</li> <li>• <a href="#">Number of Power Positions</a> = 0</li> <li>• <a href="#">Environmental Protection</a> = Without</li> <li>• <a href="#">Reverse Numbering</a> = Without</li> </ul> <p><b>Industry Standards:</b></p> <ul style="list-style-type: none"> <li>• <a href="#">VDE Tested</a> = No</li> <li>• <a href="#">RoHS/ELV Compliance</a> = RoHS compliant, ELV compliant</li> <li>• <a href="#">Lead Free Solder Processes</a> = Not relevant for lead free process</li> <li>• <a href="#">RoHS/ELV Compliance History</a> = Always was RoHS compliant</li> </ul> <p><b>Identification Marking:</b></p> <ul style="list-style-type: none"> <li>• <a href="#">Keying</a> = A</li> </ul> <p><b>Environmental:</b></p> <ul style="list-style-type: none"> <li>• <a href="#">Fluid Resistance</a> = None</li> </ul> <p><b>Other:</b></p> <ul style="list-style-type: none"> <li>• <a href="#">Brand</a> = AMP</li> </ul>

LOC		DIST		REVISIONS			
P	LTR	DESCRIPTION	DATE	DMN	APVO		
T		REVISED PER ECO-13-016365	19OCT2013	KH	MZ		

- 1 HOUSING: NYLON, BLACK.  
PERIPHERAL SEAL: ELASTOMER, GRAY.  
THREADED INSERTS: BRASS.
- 2 CAVITY IDENTIFICATION ON FRONT AND REAR FACE.
- 3 WILL ACCEPT (16) MULTIMATE PIN CONTACTS.
- 4 HOUSING: NYLON, BLUE.  
PERIPHERAL SEAL: ELASTOMER, GRAY.  
THREADED INSERTS: BRASS.
- 5 OBSOLETE PARTS: OBSOLETE CIS STREAMLINING PER D.RENAUD/D.SINISI



RECOMMENDED PANEL CUTOUT

OBSOLETE	STANDARD	NO	YES	206036-9
	STANDARD	YES	NO	206036-8
	SMALL PACK	NO	NO	206036-7
	STANDARD	NO	YES	206036-4
	STANDARD	NO	NO	206036-1
MATERIAL	PACKAGING	4-40 THREADED INSERTS	PERIPHERAL SEAL	PART NUMBER

THIS DRAWING IS A CONTROLLED DOCUMENT.

D. GELTZ 07/27/93  
R. STONE 7-22-93

STE TE Connectivity

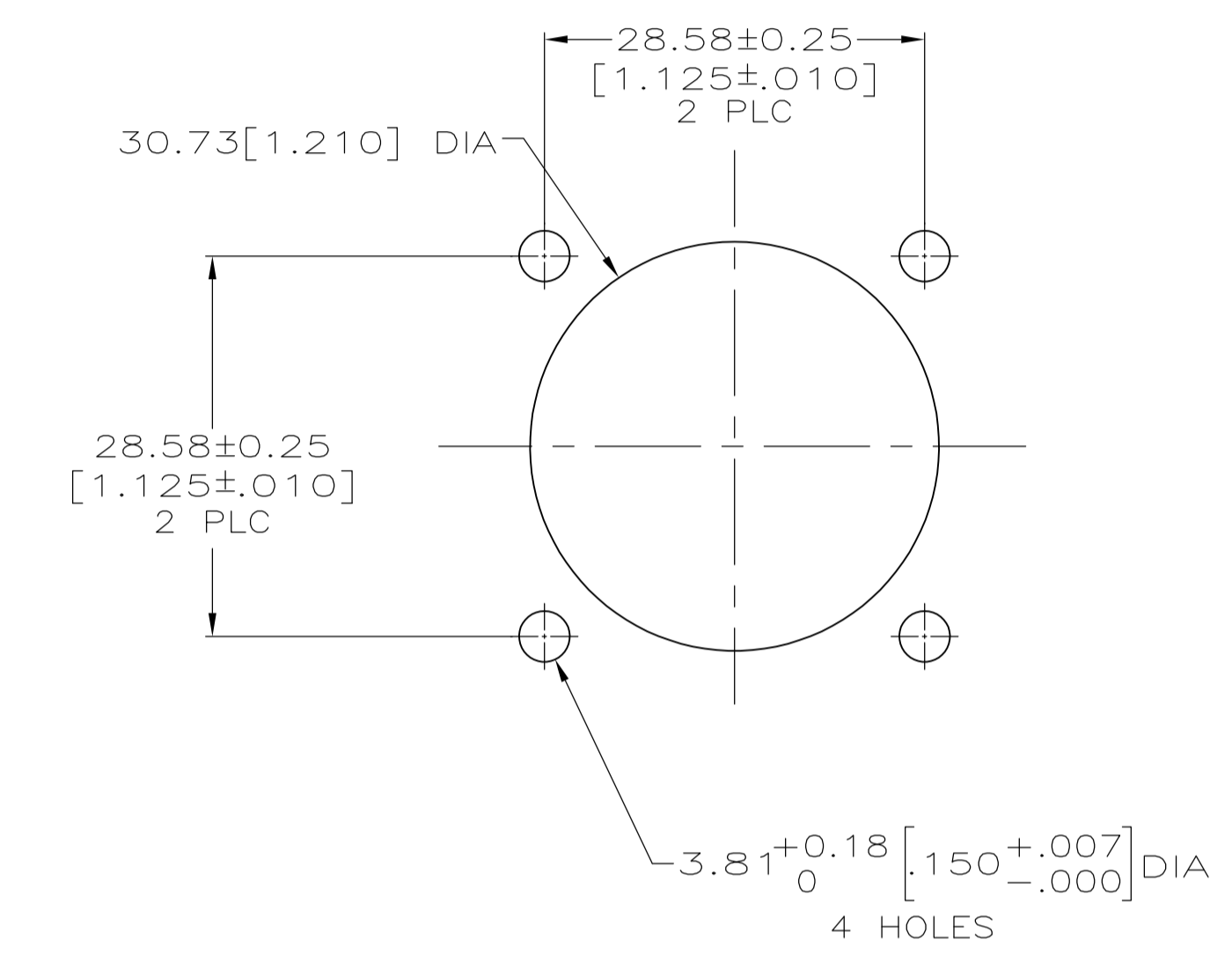
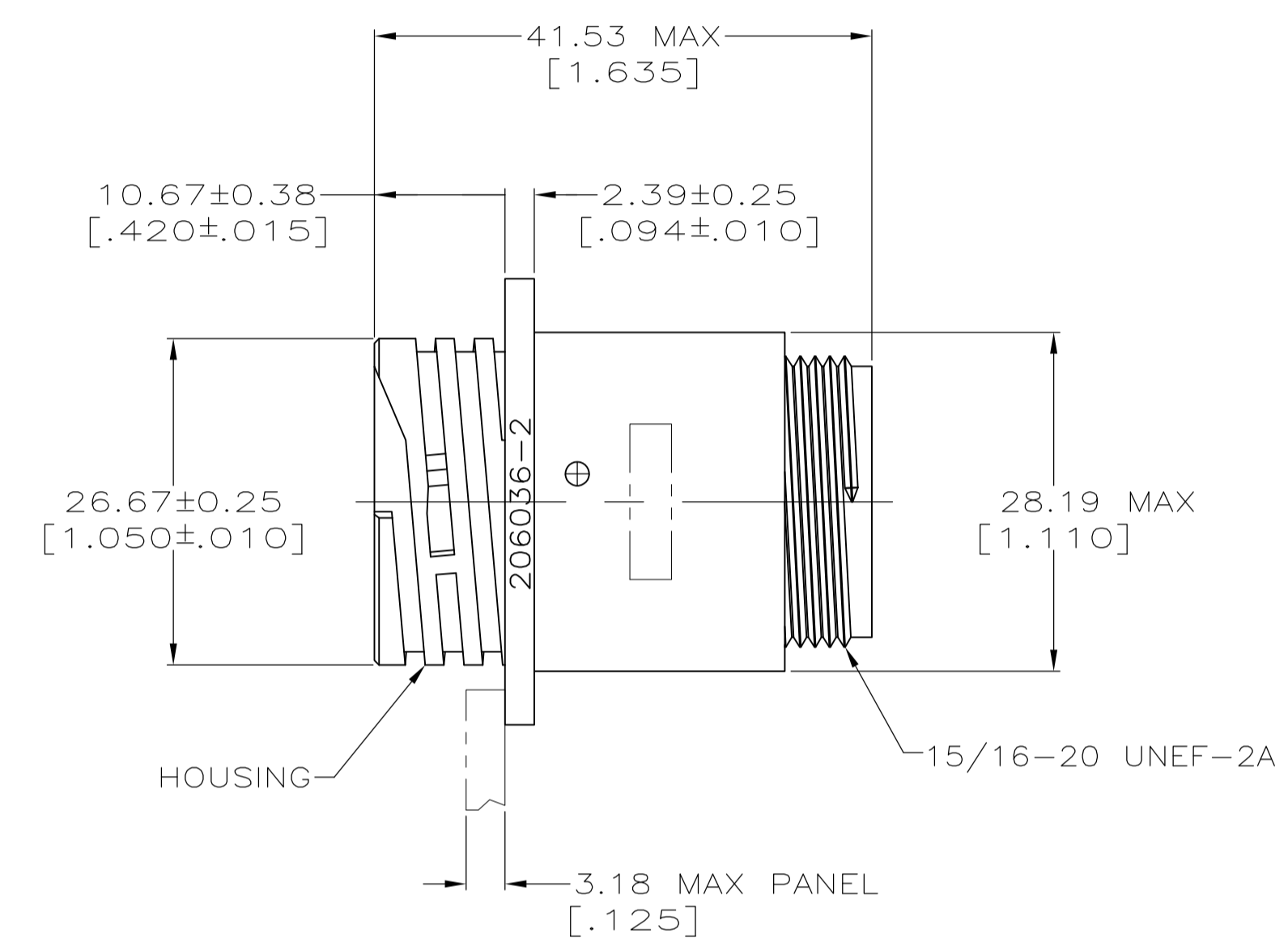
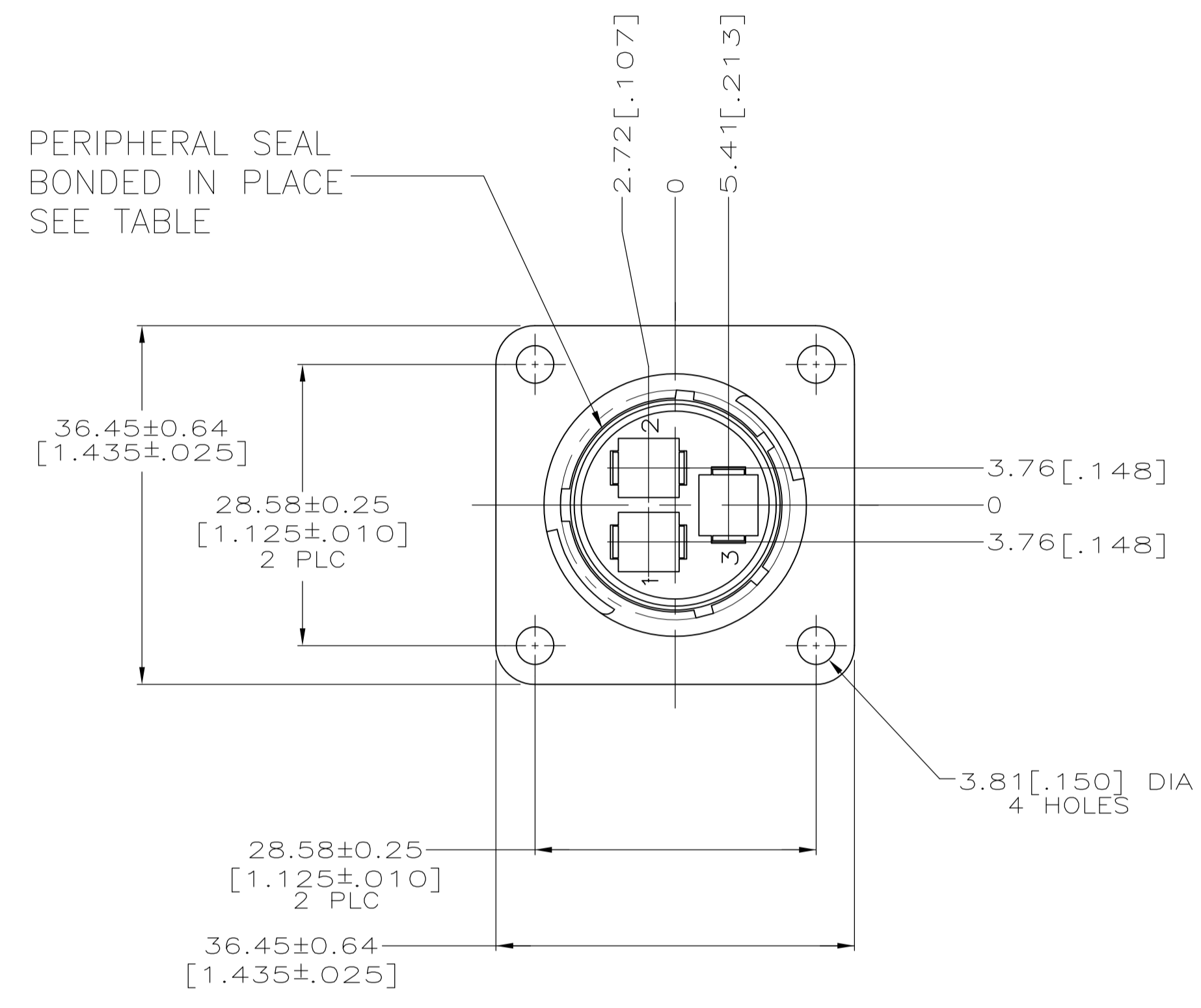
RECEPTACLE HOUSING, STD SEX, SHELL SIZE 17, CPC

108-10024

SCALE 2:1 SHEET 1 OF 3 REV T

LOC		DIST		REVISIONS			
FT	0	P	LTR	DESCRIPTION	DATE	DN	APVD
-	-	-	-	SEE SHEET 1	-	-	-

- 1 CAVITY IDENTIFICATION ON FRONT AND REAR FACE.
- 2 WILL ACCEPT (3) TYPE XII PIN CONTACTS.
- 3 HOUSING: NYLON, BLACK.  
PERIPHERAL SEAL: ELASTOMER, GRAY.

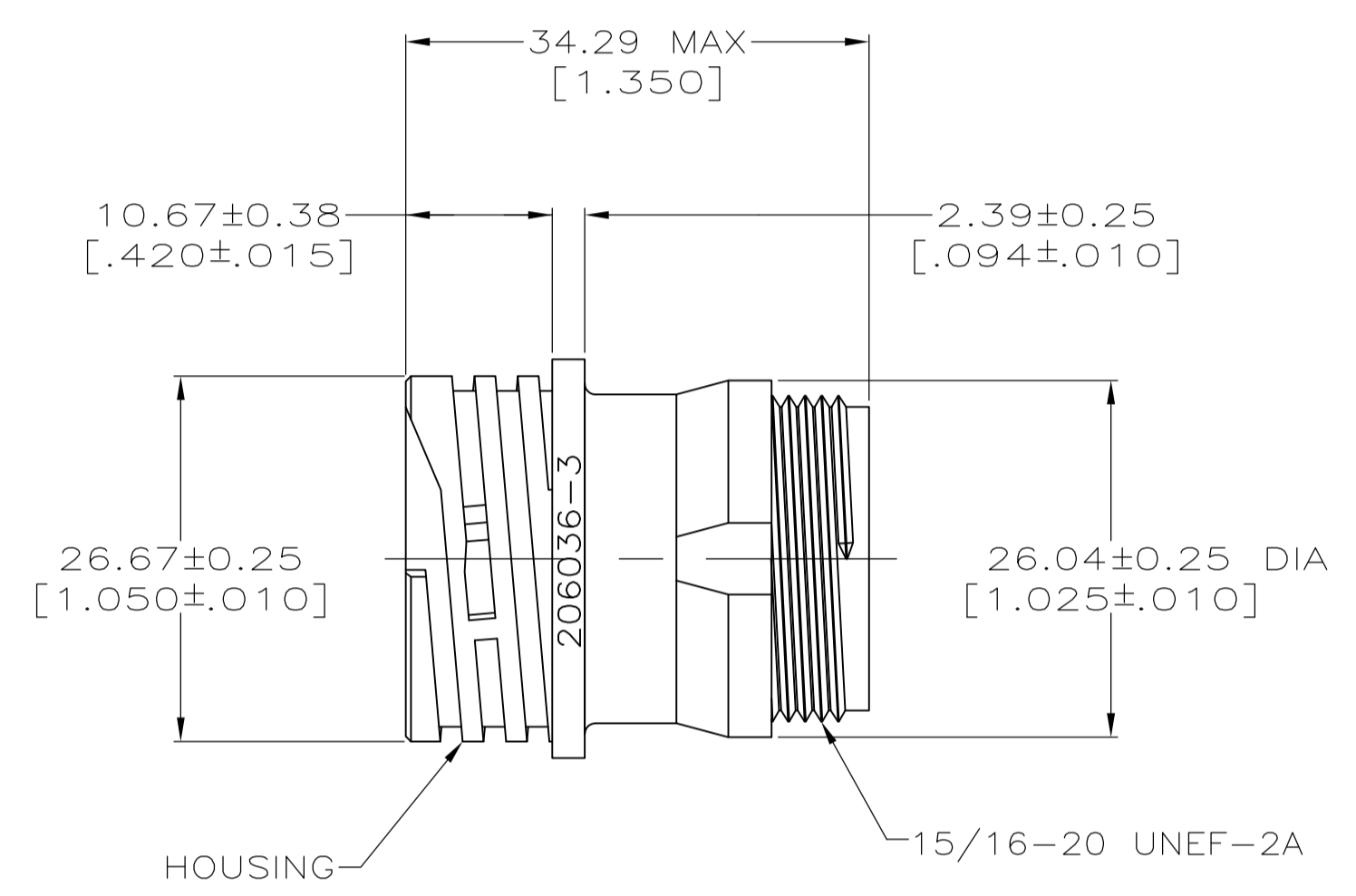
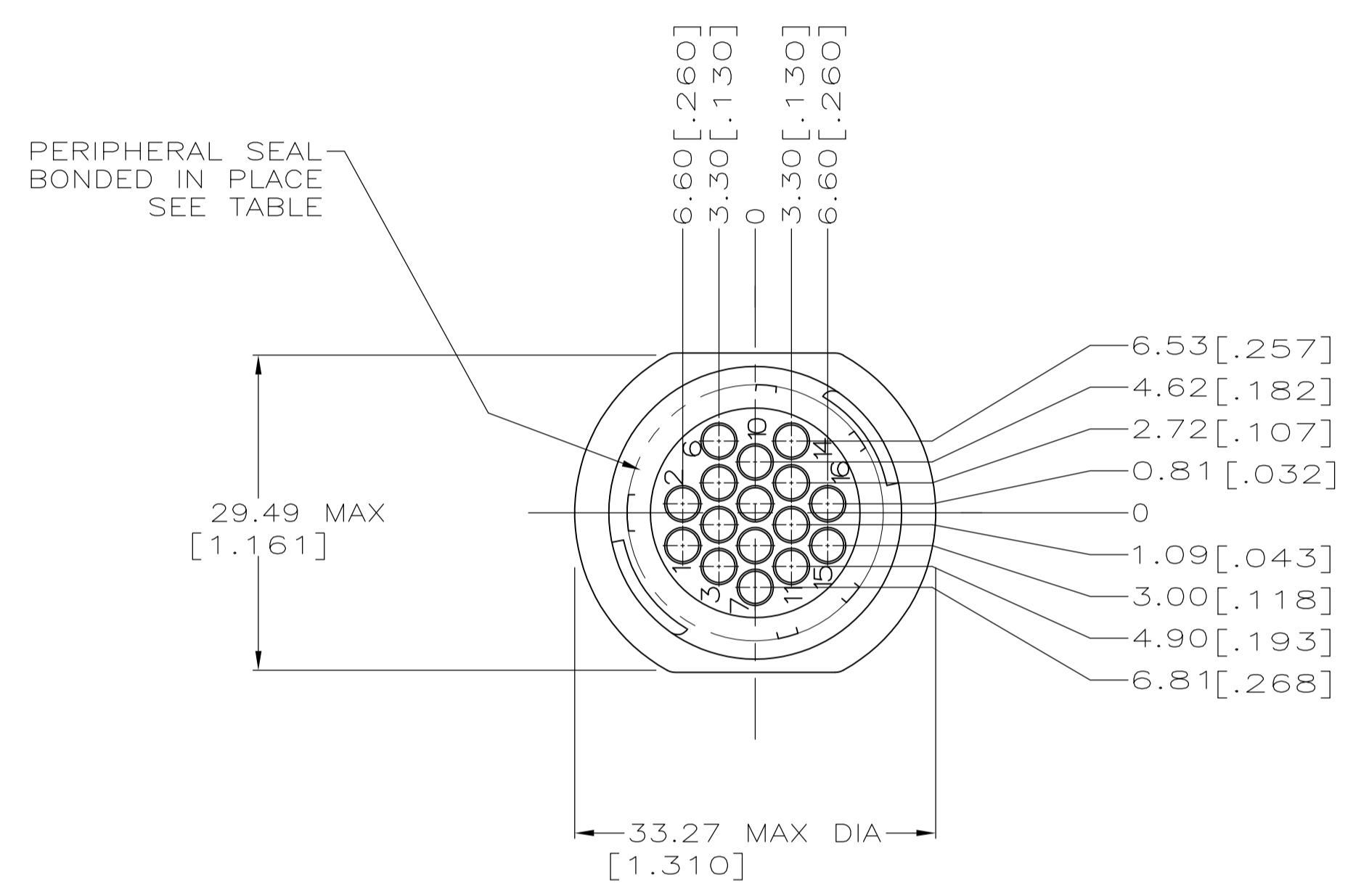


RECOMMENDED PANEL CUTOUT

PRELIMINARY	<input type="checkbox"/>	NO	YES	1-206036-6
	<input type="checkbox"/>	NO	NO	206036-2
MATERIAL	4-40 THREADED INSERTS	PERIPHERAL SEAL	PART NUMBER	
THIS DRAWING IS A CONTROLLED DOCUMENT.		DIN D. GELTZ 07/27/93	STE TE Connectivity	
DIMENSIONS: mm(INCHES)		CJK R. STONE 7-22-93	NAME RECEPTACLE HOUSING, STD SEX, SHELL SIZE 17, CPC	
TOLERANCES UNLESS OTHERWISE SPECIFIED:		APVD A. FRANTUM 8-12-93	PRODUCT SPEC 108-10024	
0 PLC ± -		APPLICATION SPEC		
1 PLC ± -		SIZE CAGE CODE DRAWING NO RESTRICTED TO		
2 PLC ± 0.13 [.005]		A1 00779 C=206036		
3 PLC ± -		WEIGHT -		
4 PLC ± -		CUSTOMER DRAWING SCALE 2:1 SHEET 2 OF 3 REV T		
ANGLES ± -				

LOC		DIST		REVISIONS			
FT	0	P	LTR	DESCRIPTION	DATE	DN	APVO
-	-	-	-	SEE SHEET 1	-	-	-

- 1 CAVITY IDENTIFICATION ON FRONT AND REAR FACE.
- 2 WILL ACCEPT (16) MULTIMATE PIN CONTACTS.
- 3 HOUSING: NYLON, BLACK.  
PERIPHERAL SEAL: ELASTOMER, GRAY.
- 4 HOUSING: POLYESTER, PBT, BLACK.  
PERIPHERAL SEAL: ELASTOMER, GRAY.



OBSOLETE			
	4	NO	1-206036-3
	3	YES	206036-5
	3	NO	206036-3
		MATERIAL	PERIPHERAL SEAL
			PART NUMBER

THIS DRAWING IS A CONTROLLED DOCUMENT.

DIMENSIONS: mm(INCHES)	TOLERANCES UNLESS OTHERWISE SPECIFIED:	DIN D. GELTZ 07/27/93	7-22-93	STE TE Connectivity
0 PLC ± -	1 PLC ± -	2 PLC ± -	3 PLC ± 0.13 [.005]	4 PLC ± -
ANGLES ± -	FINISH -	APVO R. STONE 8-12-93	NAME	RECEPTACLE HOUSING, STD SEX, SHELL SIZE 17, CPC
MATERIAL -	FINISH -	APPLICATION SPEC	108-10024	RESTRICTED TO
		WEIGHT -	A1 00779 C=206036	
		CUSTOMER DRAWING	SCALE 2:1	SHEET 3 OF 3