

Distributed by:

**JAMECO**<sup>®</sup>  
ELECTRONICS

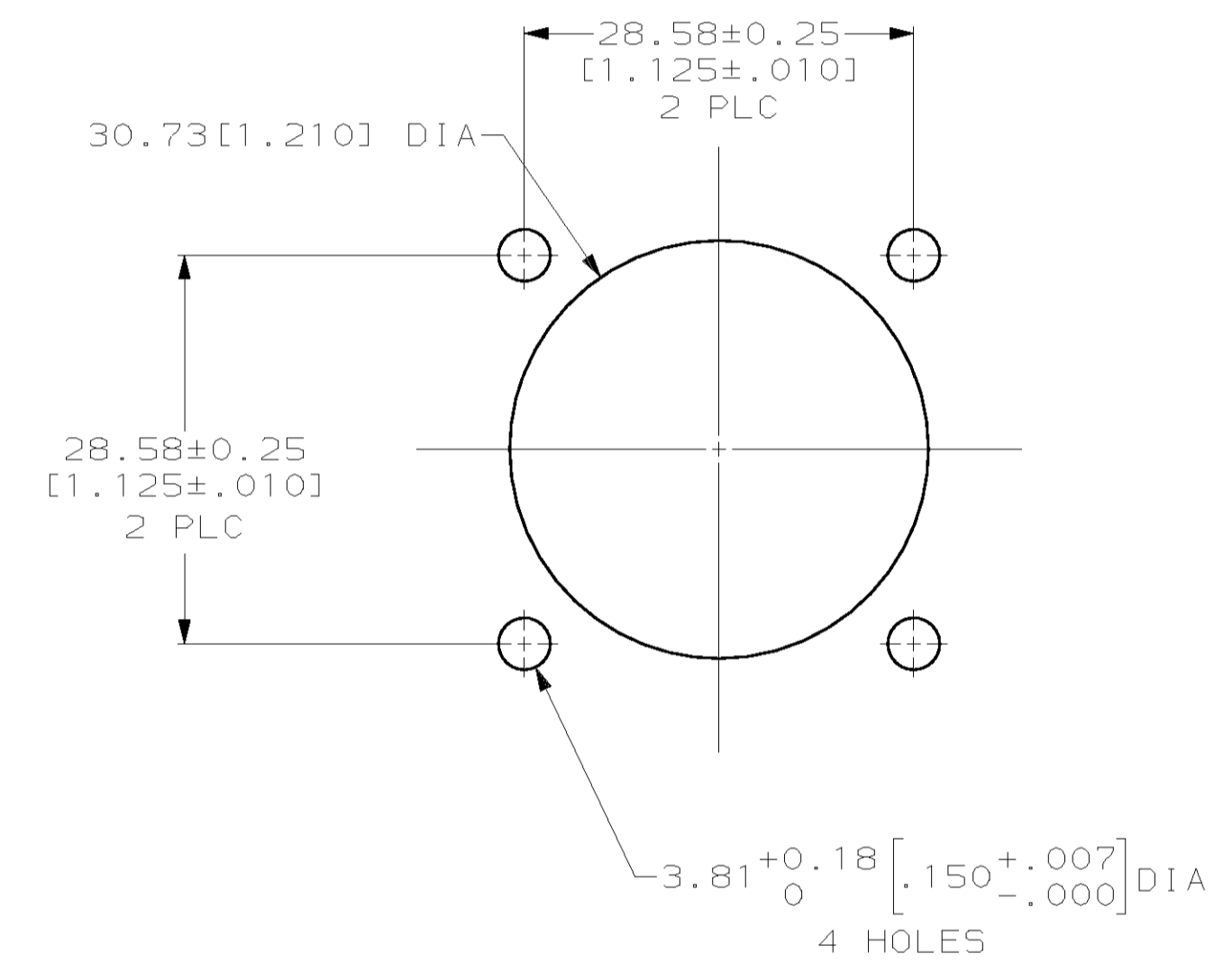
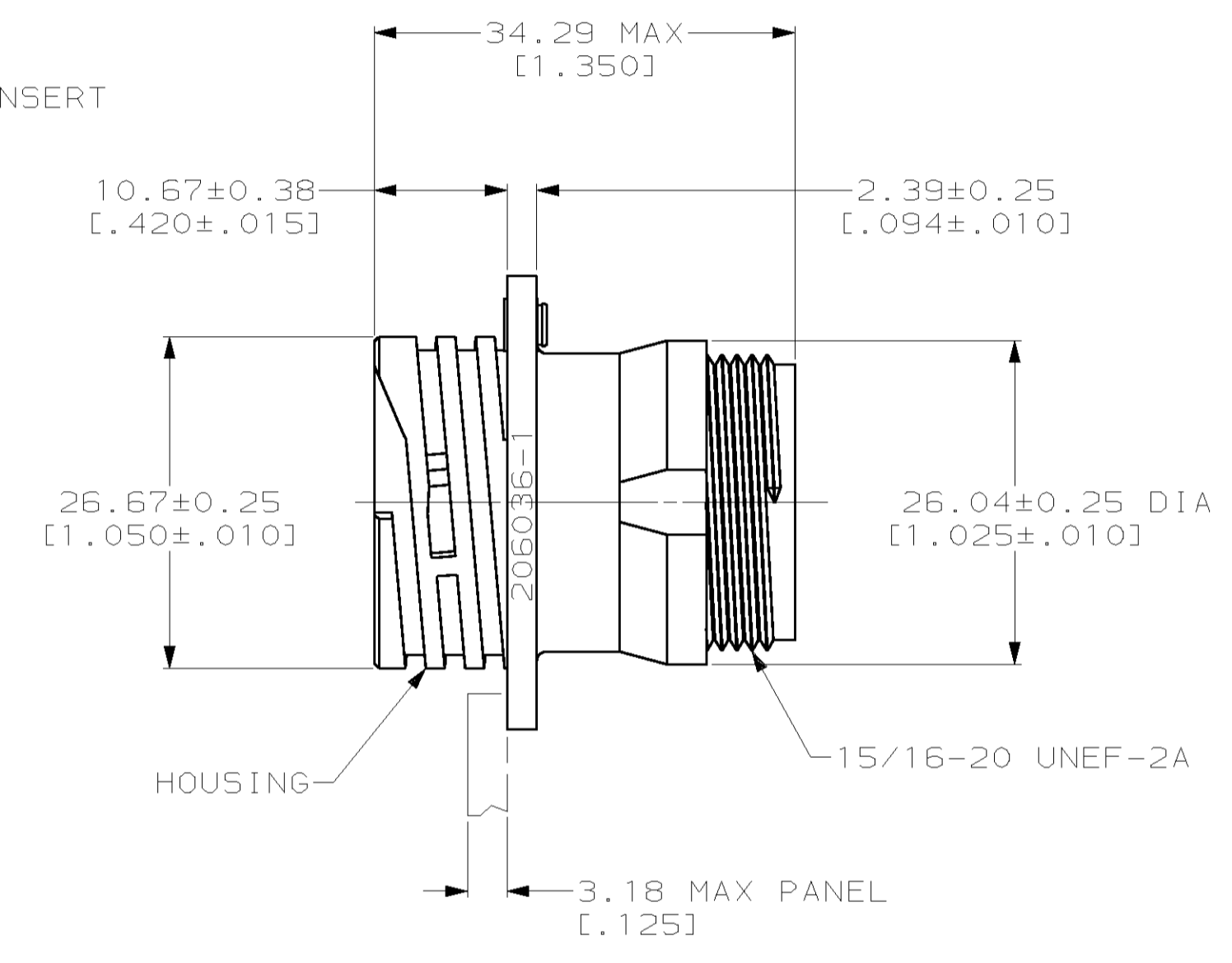
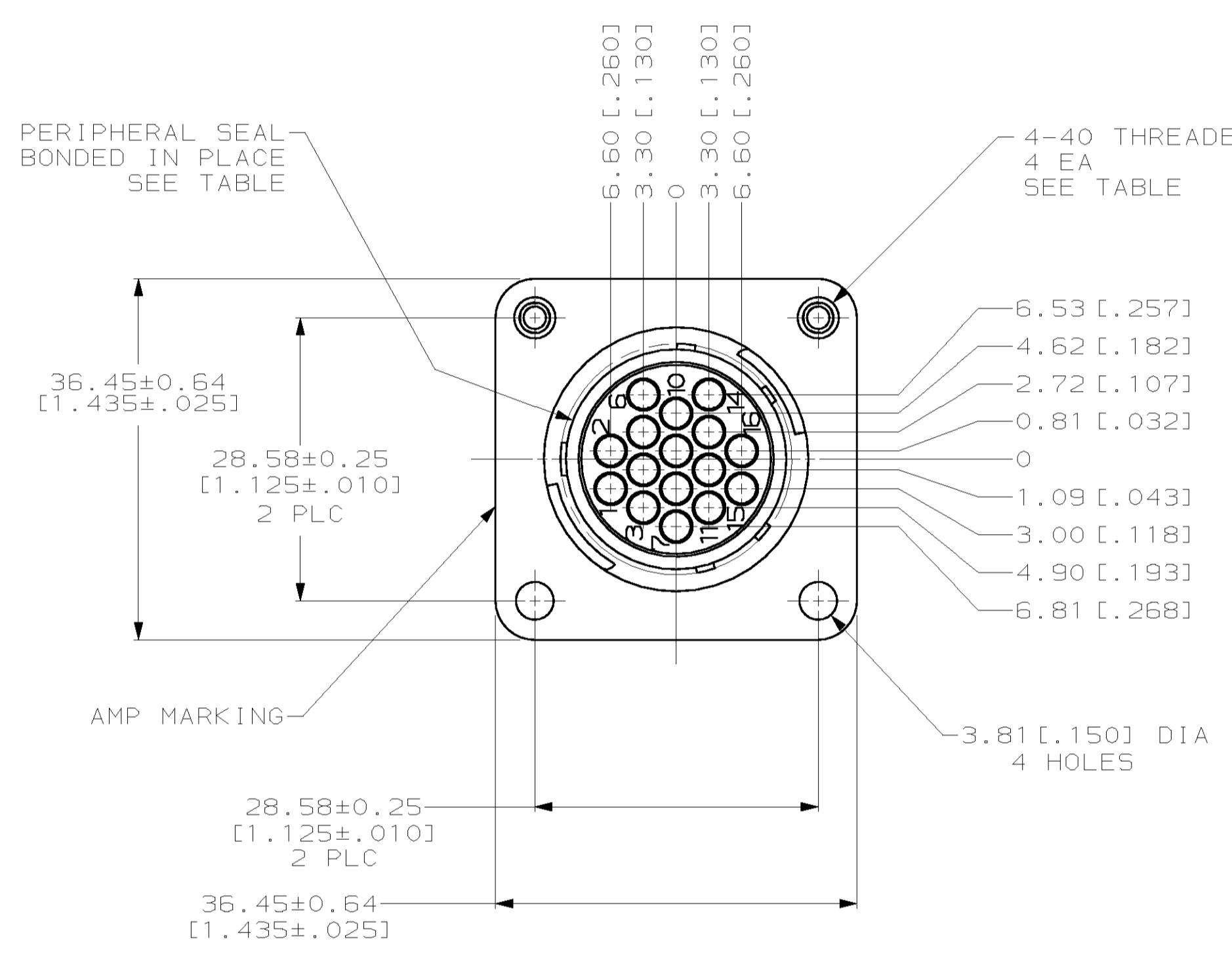
**www.Jameco.com ♦ 1-800-831-4242**

The content and copyrights of the attached  
material are the property of its owner.

Jameco Part Number 495314

LOC	DIST	REVISIONS			
F	CHR	DESCRIPTION	DATE	OWN	APVD
R		REVISED PER EC 0638-0025-99	05OCT99	LM	MC

- ⚠ HOUSING: NYLON, BLACK.  
PERIPHERAL SEAL: ELASTOMER, GRAY.  
THREADED INSERTS: BRASS.
- 2. CAVITY IDENTIFICATION ON FRONT AND REAR FACE.
- 3. WILL ACCEPT (16) MULTIMATE PIN CONTACTS.
- ⚠ HOUSING: NYLON, BLUE.  
PERIPHERAL SEAL: ELASTOMER, GRAY.  
THREADED INSERTS: BRASS.



RECOMMENDED PANEL CUTOUT

⚠	STANDARD	NO	YES	206036-9
-	STANDARD	YES	NO	206036-8
-	SMALL PACK	NO	NO	206036-7
-	STANDARD	NO	YES	206036-4
⚠	STANDARD	NO	NO	206036-1
MATERIAL	PACKAGING	4-40 THREADED INSERTS	PERIPHERAL SEAL	PART NUMBER

THIS DRAWING IS A CONTROLLED DOCUMENT.

DWN: D. GELTZ 07/27/93  
 CHK: R. STONE 7-22-93  
 APVD: A. FRANTUM 8-12-93

AMP Incorporated  
 Harrisburg, PA 17105-3608

NAME: RECEPTACLE HOUSING, STD SEX, SHELL SIZE 17, CPC

PRODUCT SPEC: 108-10024

APPLICATION SPEC: -

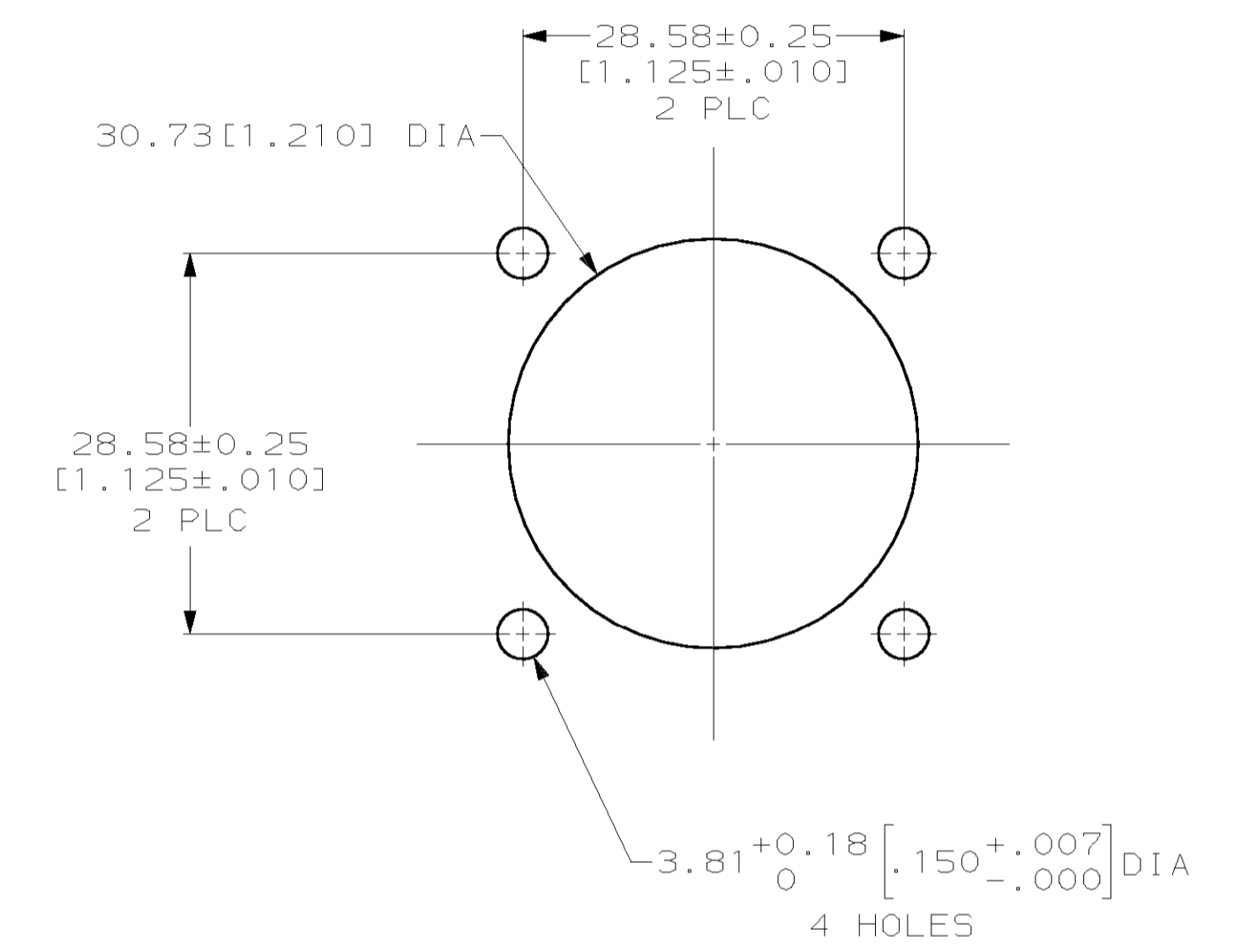
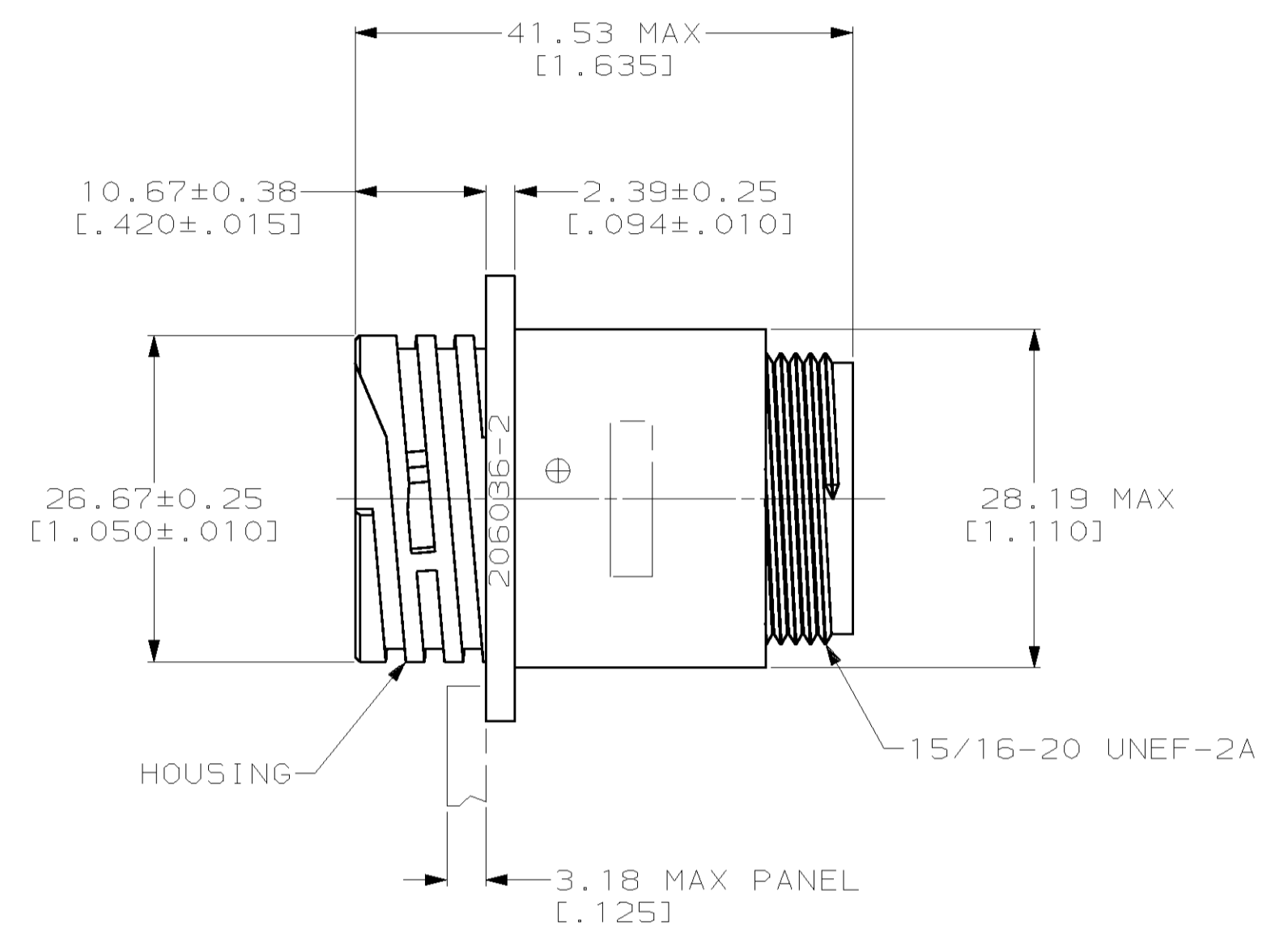
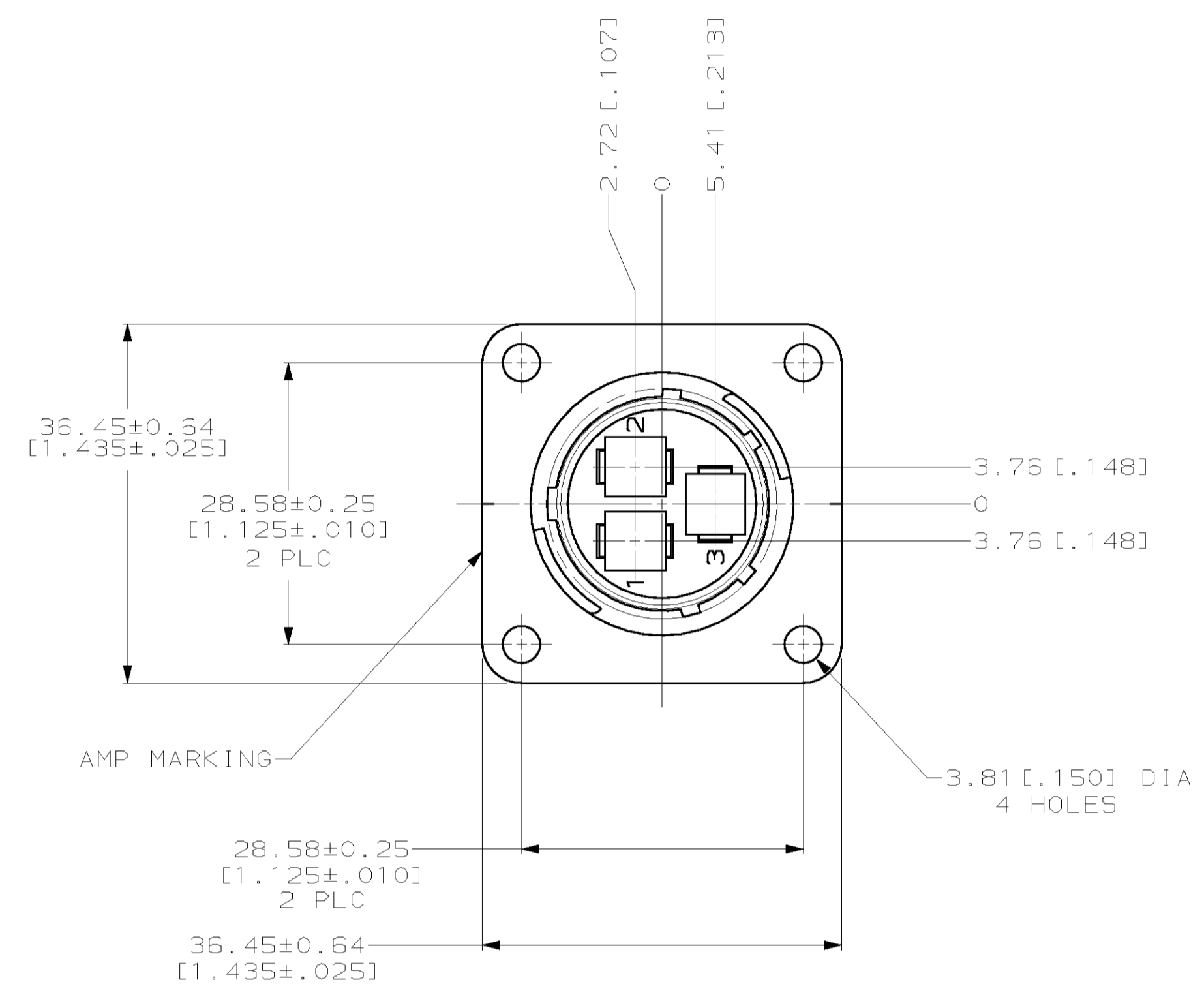
SIZE: A1 00779  
 CAGE CODE: 206036  
 DRAWING NO: 206036

RESTRICTED TO: -

CUSTOMER DRAWING SCALE: 2:1 SHEET: 1 OF 3 REV: R

LOC	DIST	REV	DATE	BY	APPV
FT	0				

- REVISIONS
- | REV | DESCRIPTION | DATE | BY | APPV |
|-----|-------------|------|----|------|
| -   | SEE SHEET 1 | -    | -  | -    |
- CAVITY IDENTIFICATION ON FRONT AND REAR FACE.
  - WILL ACCEPT (3) TYPE XII PIN CONTACTS.



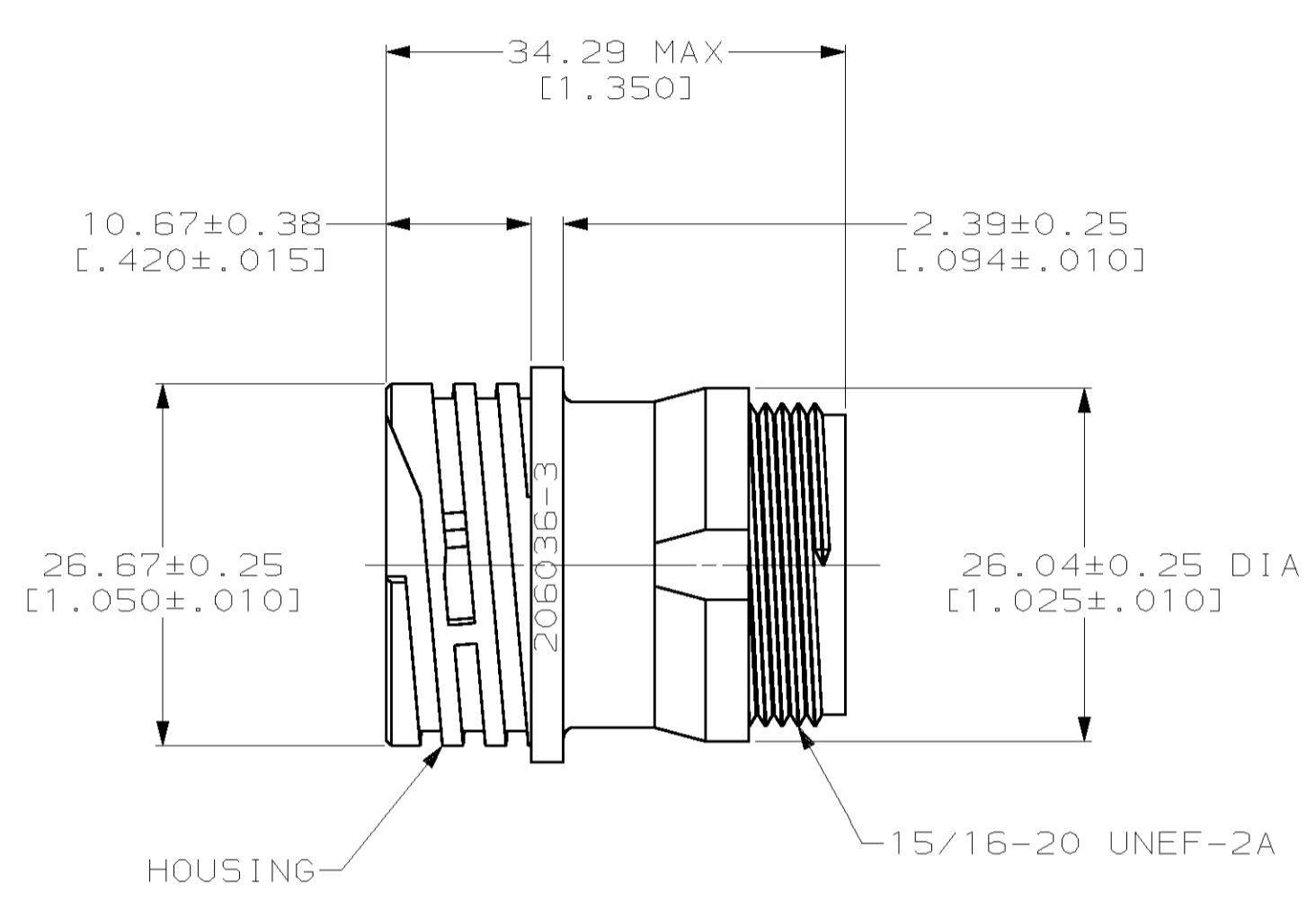
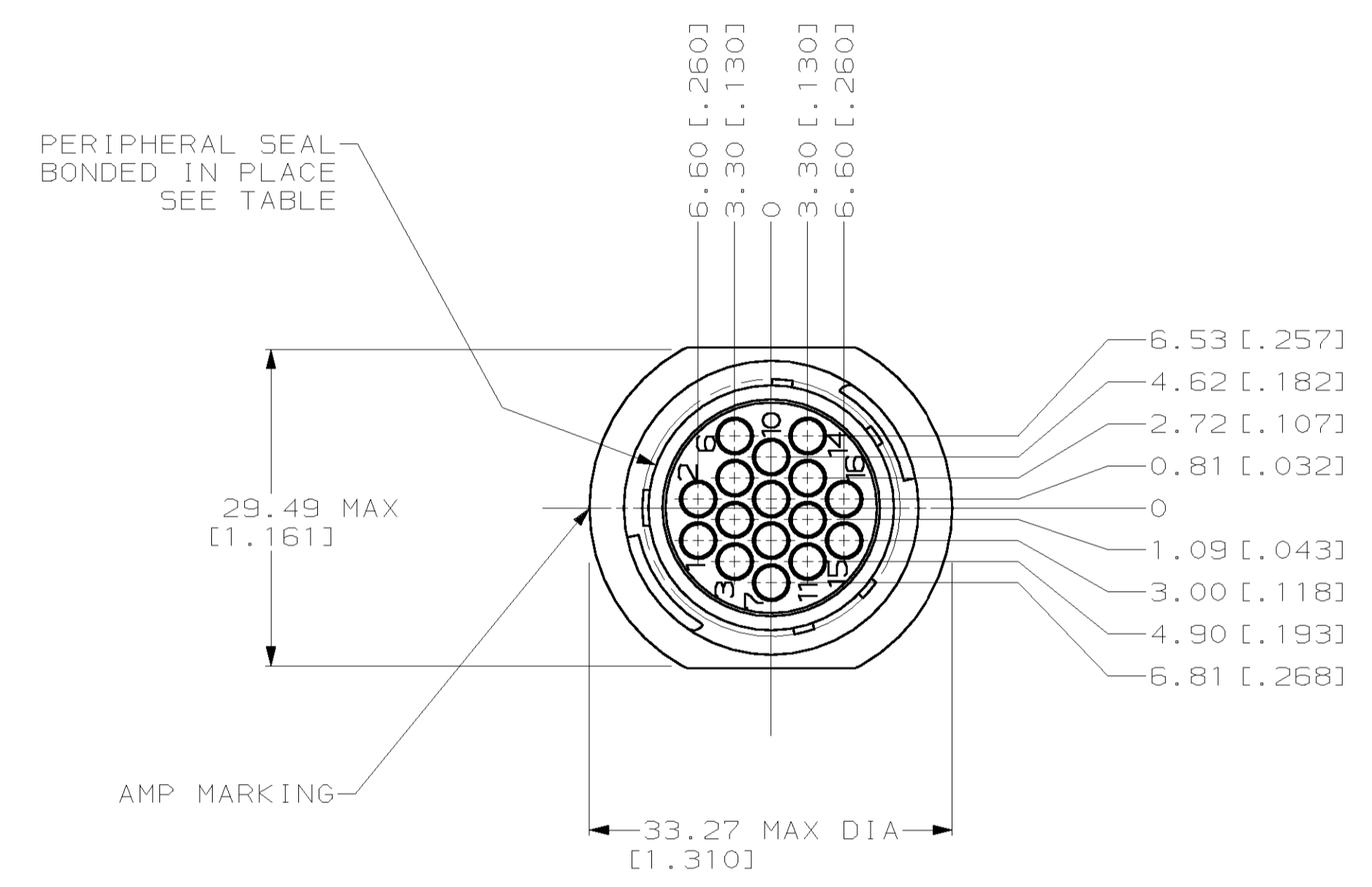
RECOMMENDED PANEL CUTOUT

206036-2  
PART NO

THIS DRAWING IS A CONTROLLED DOCUMENT.		DWN D. GELTZ 07/27/93	AMP Incorporated Harrisburg, PA 17105-3608
		CHK R. STONE 7-22-93	
DIMENSIONS: mm (INCHES)	TOLERANCES UNLESS OTHERWISE SPECIFIED:	APV A. FRANTUM 8-12-93	NAME RECEPTACLE HOUSING, STD SEX, SHELL SIZE 17, CPC
	0 PLC ± 1 PLC ± 2 PLC ±0.13 (.005) 3 PLC ± 4 PLC ±	PRODUCT SPEC 108-10024	SIZE A1
MATERIAL HOUSING: NYLON, BLACK PERIPHERAL SEAL: ELASTOMER, GRAY	FINISH -	WEIGHT -	CAGE CODE DRAWING NO 00779 DRAWING NO 206036
		CUSTOMER DRAWING	RESTRICTED TO -
		SCALE 2:1	SHEET 2 OF 3

LOC	DIST	REVISIONS			
F	CHR	DESCRIPTION	DATE	OWN	APVD
-	-	SEE SHEET 1	-	-	-

1. CAVITY IDENTIFICATION ON FRONT AND REAR FACE.
2. WILL ACCEPT (16) MULTIMATE PIN CONTACTS.



YES	206036-5
NO	206036-3
PERIPHERAL SEAL	PART NO

THIS DRAWING IS A CONTROLLED DOCUMENT.		DWN D. GELTZ 07-27-93	AMP Incorporated Harrisburg, PA 17105-3608
DIMENSIONS: mm [INCHES]		CHK R. STONE 7-22-93	NAME RECEPTACLE HOUSING, STD SEX, SHELL SIZE 17, CPC
TOLERANCES UNLESS OTHERWISE SPECIFIED:		APVD A. FRANTUM 8-12-93	PRODUCT SPEC 108-10024
0 PLC ±-		APPLICATION SPEC	SIZE A1
1 PLC ±-		WEIGHT	CAGE CODE 00779
2 PLC ±0.13 [0.005]		FINISH	DRAWING NO 206036
3 PLC ±-		MATERIAL HOUSING: NYLON, BLACK PERIPHERAL SEAL: ELASTOMER, GRAY	RESTRICTED TO -
4 PLC ±-		SCALE 2:1	SHEET 3 OF 3
ANGLES		CUSTOMER DRAWING	REV R