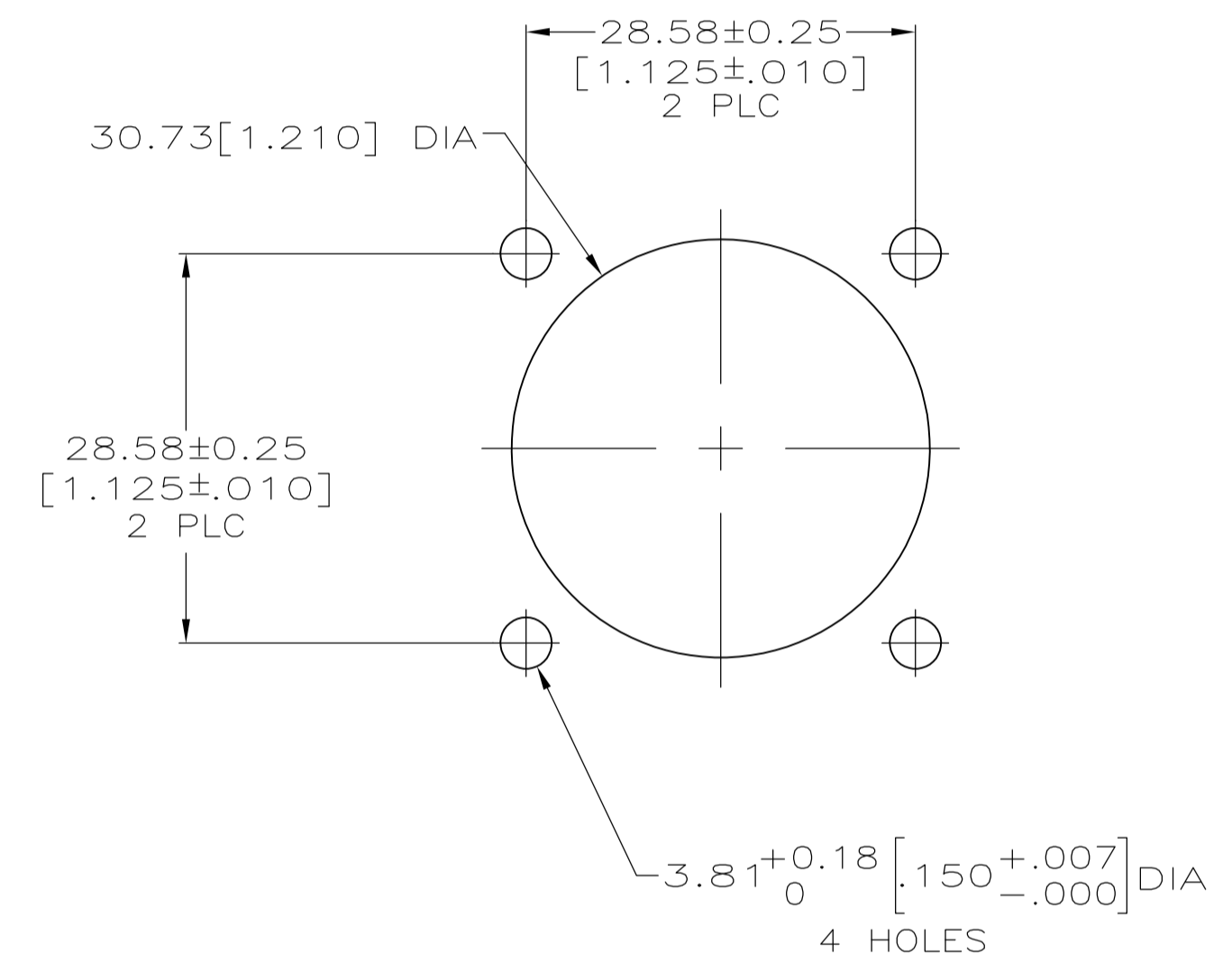
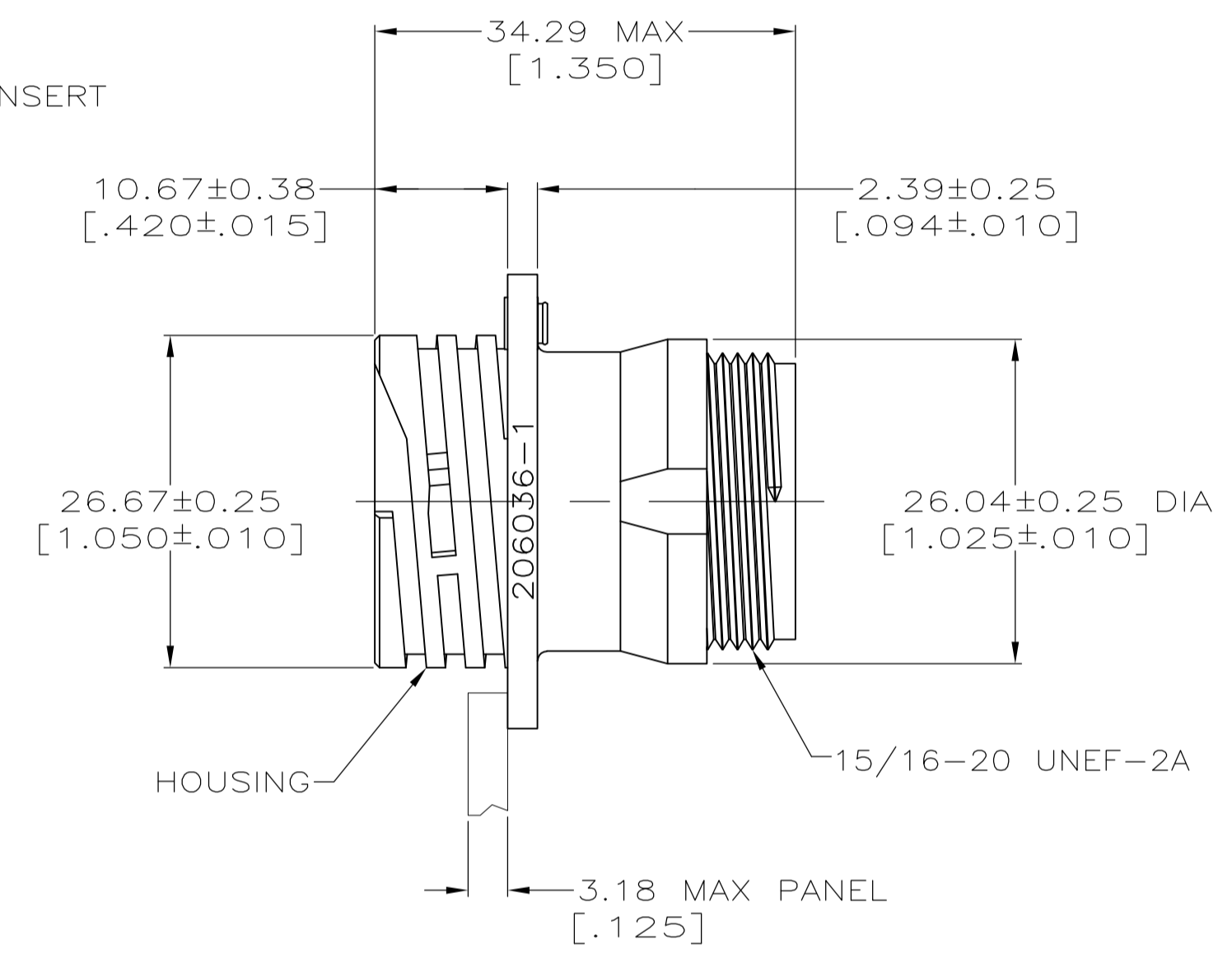
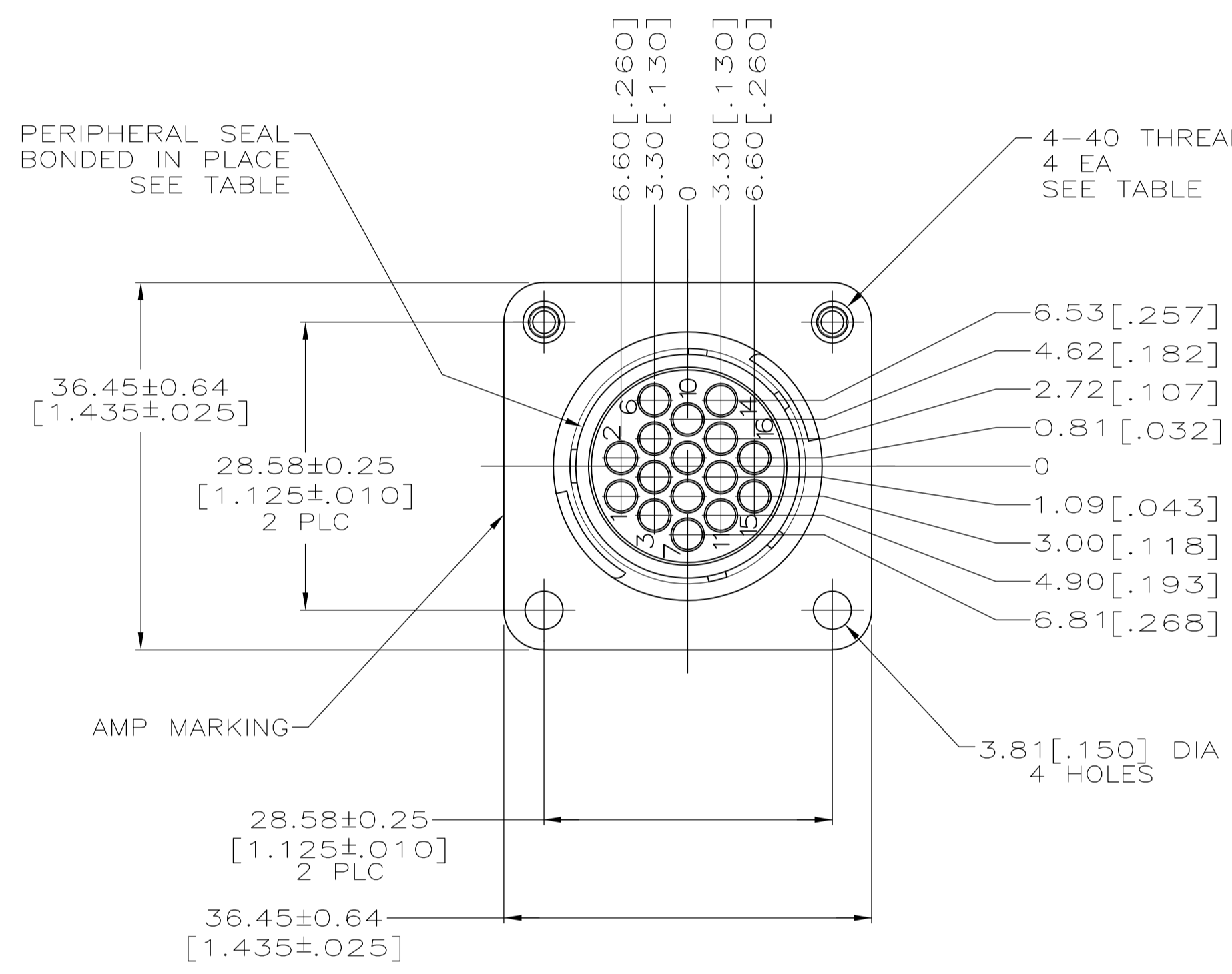


- △ HOUSING: NYLON, BLACK.
PERIPHERAL SEAL: ELASTOMER, GRAY.
THREADED INSERTS: BRASS.
- 2. CAVITY IDENTIFICATION ON FRONT AND REAR FACE.
- 3. WILL ACCEPT (16) MULTIMATE PIN CONTACTS.
- △ HOUSING: NYLON, BLUE.
PERIPHERAL SEAL: ELASTOMER, GRAY.
THREADED INSERTS: BRASS.
- △ OBSOLETE PARTS: OBSOLETE CIS STREAMLINING PER D.RENAUD/D.SINISI



RECOMMENDED PANEL CUTOUT

△ OBSOLETE	△	STANDARD	NO	YES	206036-9
	△	STANDARD	YES	NO	206036-8
	△	SMALL PACK	NO	NO	206036-7
	△	STANDARD	NO	YES	206036-4
	△	STANDARD	NO	NO	206036-1
MATERIAL	PACKAGING	4-40 THREADED INSERTS	PERIPHERAL SEAL	PART NUMBER	

THIS DRAWING IS A CONTROLLED DOCUMENT.

DIMENSIONS: mm [INCHES]

TOLERANCES UNLESS OTHERWISE SPECIFIED:

0 PLC	±	-
1 PLC	±	-
2 PLC	±	0.13 [.005]
3 PLC	±	-
4 PLC	±	-
ANGLES	±	-

MATERIAL: - FINISH: -

APPROVED: D. GELTZ 07/27/93, R. STONE 7-22-93, A. FRANTUM 8-12-93

NAME: RECEPTACLE HOUSING, STD SEX, SHELL SIZE 17, CPC


APPLICATION SPEC: 108-10024

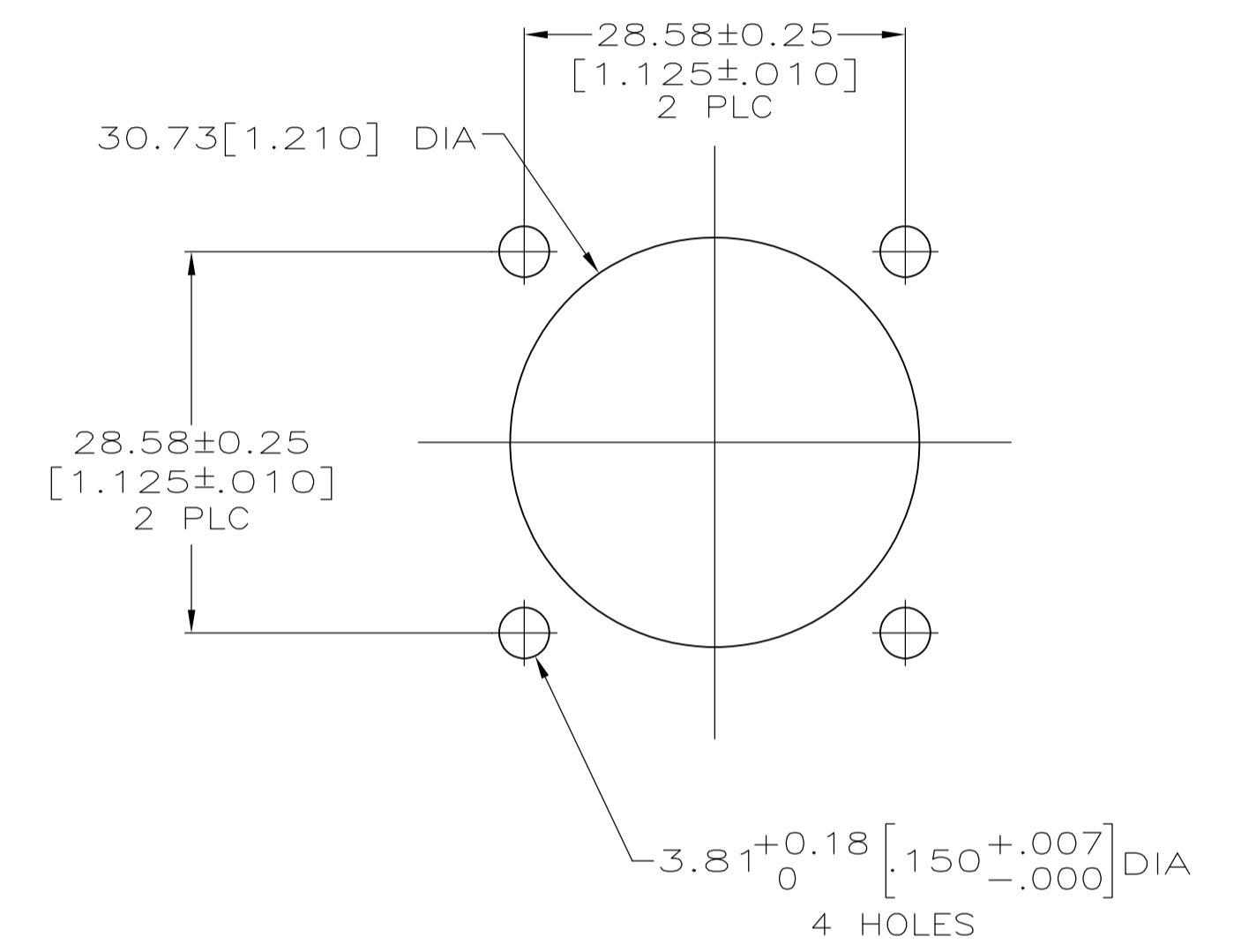
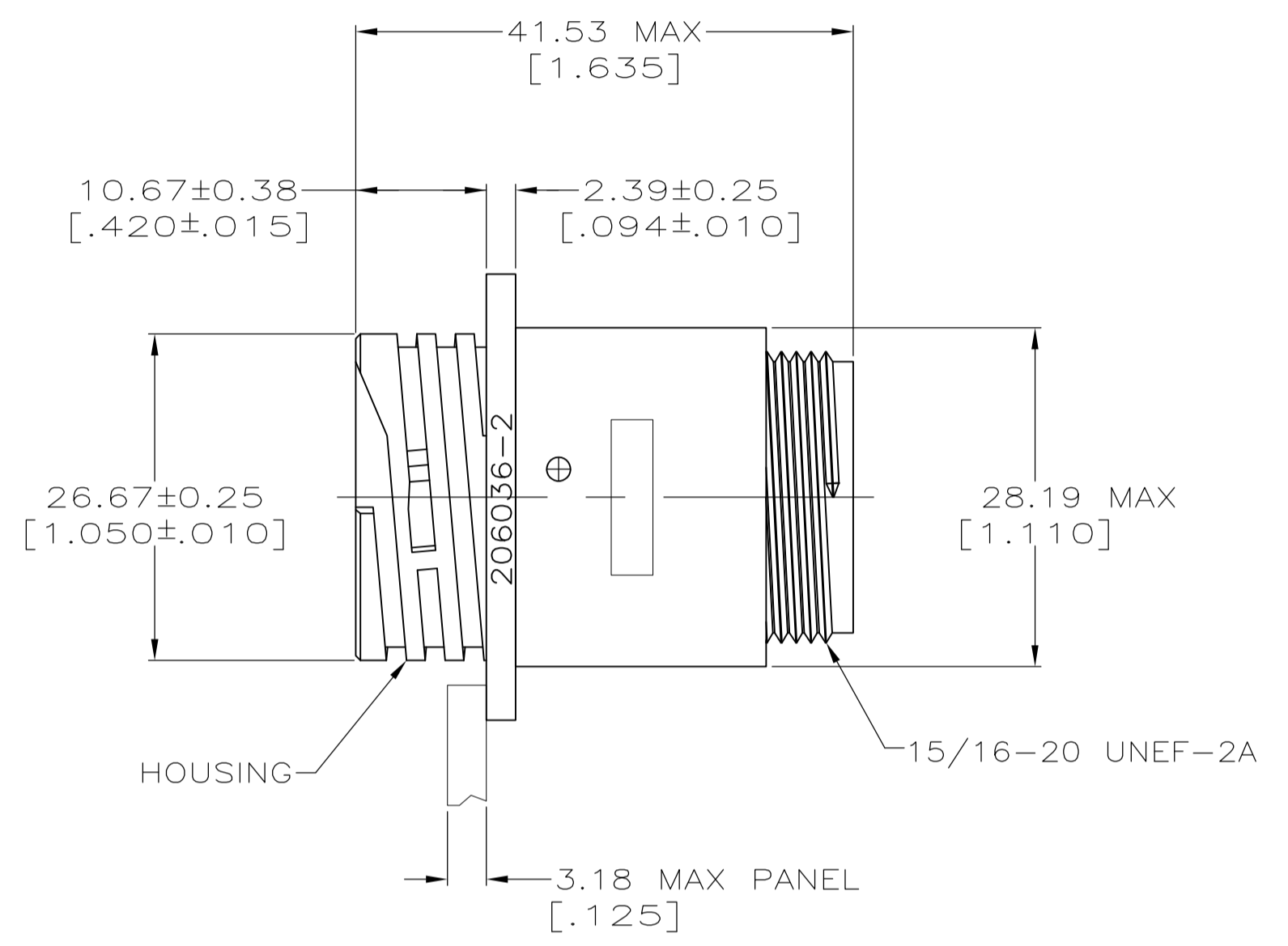
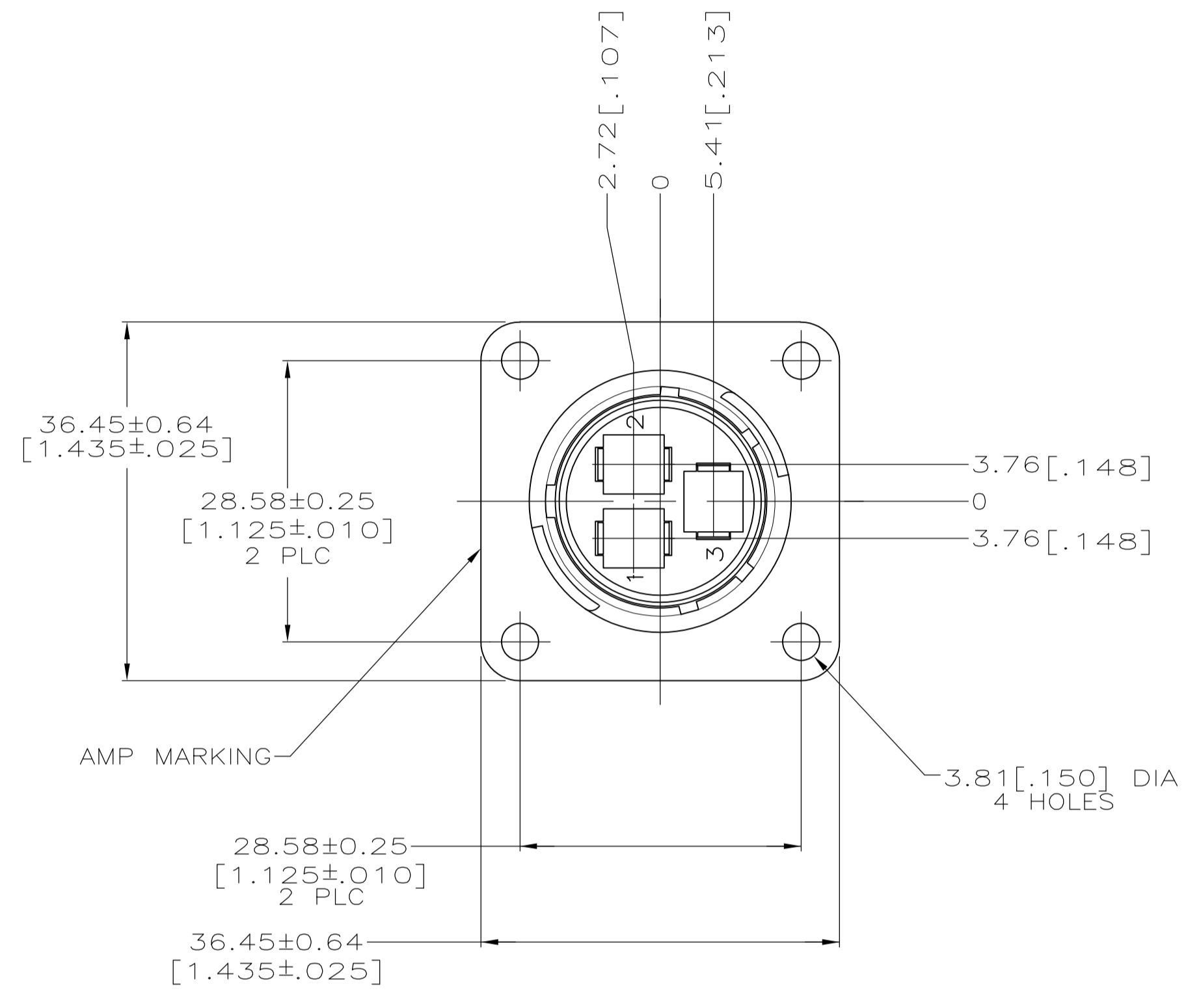
SIZE: A1, CAGE CODE: 00779, DRAWING NO: 206036

RESTRICTED TO: -

CUSTOMER DRAWING, SCALE: 2:1, SHEET: 1 OF 3, REV: R2

LOC	DIST	REVISIONS					
FT	0	P	LTR	DESCRIPTION	DATE	DN	APVO
-	-	-	-	SEE SHEET 1	-	-	-

- NOTES:
1. CAVITY IDENTIFICATION ON FRONT AND REAR FACE.
 2. WILL ACCEPT (3) TYPE XII PIN CONTACTS.
-  HOUSING: NYLON, BLACK.
PERIPHERAL SEAL: ELASTOMER, GRAY.



RECOMMENDED PANEL CUTOUT

	206036-2
MATERIAL	PART NUMBER

THIS DRAWING IS A CONTROLLED DOCUMENT.		DIN D. GELTZ 7-22-93	07/27/93	RECEPTACLE HOUSING, STD SEX, SHELL SIZE 17, CPC	
DIMENSIONS: mm [INCHES]		CJK R. STONE 8-12-93	7-22-93	NAME	
TOLERANCES UNLESS OTHERWISE SPECIFIED:		APVO A. FRANTUM	8-12-93	PRODUCT SPEC	
0 PLC ± -		108-10024		APPLICATION SPEC	
1 PLC ± -		A1 00779		SIZE	
2 PLC ± 0.13 [.005]		C=206036		CAGE CODE	
3 PLC ± -		CUSTOMER DRAWING		DRAWING NO	
4 PLC ± -		SCALE 2:1		SHEET 2 OF 3	
ANGLES ± -		REV R2		RESTRICTED TO	
FINISH -		WEIGHT -		DATE	

