



**Have a Question?**  
 Chat with a Product  
 Information Specialist

What can we help you find?

[Products](#) | 
 [Industries](#) | 
 [Resources](#) | 
 [About TE](#) | 
 [My Account](#) | 
 [Innovation](#) | 
 [Support Center](#)

**206060-1 Product Details**

[Share](#) | 
 [Print](#) | 
 [Email](#)



**206060-1**

TE Internal Number: 206060-1

Active

View 3D PDF

**CPC (Circular Plastic) and Circular Metal-Shell Connectors**

Always EU RoHS/ELV Compliant (Statement of Compliance)

**Product Highlights:**

- Housing
- Connector Style = Plug
- 4 Positions
- 4 Signal Positions
- 0 Power Positions

[View all Features](#)

**Quick Links**

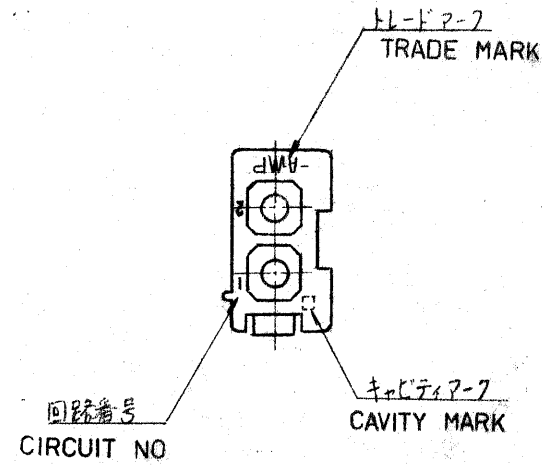
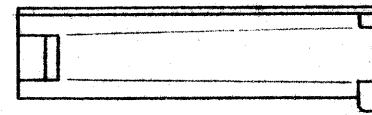
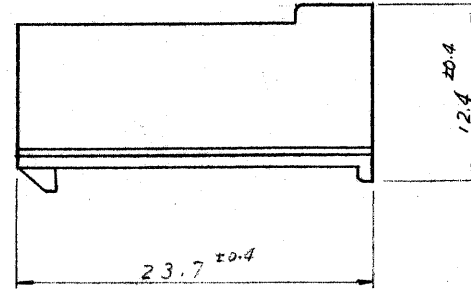
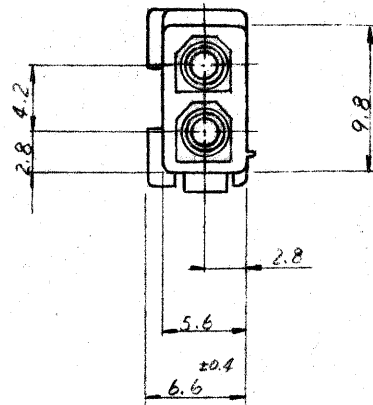
- ▶ [Pricing & Availability](#)
- ▶ [Search for Tooling](#)
- ▶ [View Mating Products \(10\)](#)
- ▶ [Product Feature Selector](#)
- ▶ [Contact Us About This Product](#)

[Add to My Part List](#) | 
 [Request Sample](#) | 
 [Find Similar Products](#) | 
 [Buy Product](#)

Documentation & Additional Information	
<p><b>Product Drawings:</b></p> <ul style="list-style-type: none"> <li>• <a href="#">PLUG ASSEMBLY, STANDARD SEX, SERIES 1, 11-4, CPC</a> (PDF, English)</li> </ul> <p><b>Catalog Pages/Data Sheets:</b></p> <ul style="list-style-type: none"> <li>• <a href="#">AMP Circular Connectors for Commercial Signal &amp; Powe...</a> (PDF, English)</li> </ul> <p><b>Product Specifications:</b></p> <ul style="list-style-type: none"> <li>• None Available</li> </ul> <p><b>Application Specifications:</b></p> <ul style="list-style-type: none"> <li>• <a href="#">Circular Plastic Connectors (CPC)</a> (PDF, English)</li> </ul> <p><b>Instruction Sheets:</b></p> <ul style="list-style-type: none"> <li>• <a href="#">Circular Plastic Connectors (CPC)</a> (PDF, English)</li> </ul> <p><b>CAD Files:</b> (CAD Format &amp; Compression Information)</p> <ul style="list-style-type: none"> <li>• <a href="#">2D Drawing</a> (DXF, Version H)</li> <li>• <a href="#">3D Model</a> (IGES, Version H)</li> <li>• <a href="#">3D Model</a> (STEP, Version H)</li> </ul>	<p><b>Related Products:</b></p> <ul style="list-style-type: none"> <li>• <a href="#">Tooling</a></li> <li>• <a href="#">Mating Products (10)</a></li> </ul>

[List all Documents](#)

Product Features (Please use the Product Drawing for all design activity)	
<p><b>Product Type Features:</b></p> <ul style="list-style-type: none"> <li>• Connector Type = Housing</li> <li>• Mount Angle = Straight</li> <li>• Shell Size = 11</li> <li>• Shell Type = All Plastic</li> <li>• Product Series = Series 1</li> <li>• Thread Size = 5/8 - 24 UNEF-2A</li> <li>• Sealed = No</li> </ul> <p><b>Mechanical Attachment:</b></p> <ul style="list-style-type: none"> <li>• Mount = Free Hanging</li> <li>• Mating Retention Type = Threaded Coupling</li> </ul> <p><b>Contact Features:</b></p> <ul style="list-style-type: none"> <li>• Contact Type = Socket</li> <li>• Reverse Gender = Standard</li> </ul> <p><b>Housing Features:</b></p> <ul style="list-style-type: none"> <li>• Connector Style = Plug</li> <li>• Mating Alignment Type = Keyed</li> <li>• Housing Material = Thermoplastic - GF</li> <li>• Housing Color = Black</li> <li>• UL Flammability Rating = UL 94V-0</li> </ul>	<p><b>Configuration Features:</b></p> <ul style="list-style-type: none"> <li>• Number of Positions = 4</li> <li>• Number of Signal Positions = 4</li> <li>• Number of Power Positions = 0</li> <li>• Environmental Protection = Without</li> <li>• Reverse Numbering = Without</li> </ul> <p><b>Industry Standards:</b></p> <ul style="list-style-type: none"> <li>• VDE Tested = No</li> <li>• RoHS/ELV Compliance = RoHS compliant, ELV compliant</li> <li>• Lead Free Solder Processes = Not relevant for lead free process</li> <li>• RoHS/ELV Compliance History = Always was RoHS compliant</li> </ul> <p><b>Identification Marking:</b></p> <ul style="list-style-type: none"> <li>• Keying = A</li> </ul> <p><b>Environmental:</b></p> <ul style="list-style-type: none"> <li>• Fluid Resistance = None</li> </ul> <p><b>Other:</b></p> <ul style="list-style-type: none"> <li>• Brand = AMP</li> </ul>



注:

1. 使用端子型番は 170359, 170360, 170361, 170362.
2. 嵌合相手ハウジング型番 172336
3. 適用製品仕様書: 108-515J
4. 取扱説明書: IS-105J

NOTES:

1. APPLIED CONTACT P/N : 170359.170360.170361.170362
  2. MATING CONN : PLUG HOUSING P/N 172336
  3. PRODUCT SPEC : 108-5151
  4. INSTRUCTION SHEET : IS-105J
- △ OBSOLETE PARTS: OBSOLETE CIS STREAMLINING PER D.RENAUD/D.SINISI

△ OBSOLETE	黄 (YELLOW)	1-172343-4
	黒 (BLACK)	1-172343-7
△ OBSOLETE	青 (BLUE)	1- ↑ -6
	緑 (GREEN)	1- ↓ -5
	赤 (RED)	1- ↓ -2
	自然色 (NATURAL)	172343-1
	色 (COLOR)	型番 (P/N)

A3	REVISED PER ECO-11-005030	RK	HMR	23MAR11
LTR.	変更 (REVISION RECORD)	DR.	CHK.	DATE

番号 (NUMBER) <b>C-172343</b>	組立部品 (REQUIRED PER ASSEMBLY)	番号 (NUMBER)	名称 (NAME)	摘要 (REMARKS)	ITEM NO.	
				参考図面 (CUSTOMER COPY REFERENCE ONLY)		
	材料 (MATERIAL) 6/6 ナイロン (UL94V-2)	包含電線断面積 (WIRE RANGE)	TE Connectivity			
	(NYLON 6/6 UL94V-2)	mm <sup>2</sup> (AWG)				
	仕上 (FINISH) 色: 表参照	被覆外径 (INSULATION DIA.)	分類 (CLASS)			
	HOUSING COLOR: SEE TABLE	mm (IN)	型式 (TYPE)			
DR. R. Yamada 7/28/81	一般公差 ±0.3	尺度 (SCALE)	LOC	SIZE	番号 (NO)	
CHK. J. Tanigawa 5/1/81	EXCEPT AS NOTED ±1.0	2-1	J	B	C-172343	
DE. A. Tanigawa 5/1/81	名称 (NAME)					
APP. A. Tanigawa 5/1/81	MINI-UNIVERSAL MATE-N-LOK CONN CAP HOUSING 2Pos. (UL94V-2)					
	2極 ミニユニバーサル X行ニユクコネクタ キャップ ハウジング (UL94V-2)					

8      7      6      5      4      3      2      1

単位: 耗 DIMENSIONS IN MM. DO NOT SCALE PRINT