

Distributed by:

JAMECO[®]
ELECTRONICS

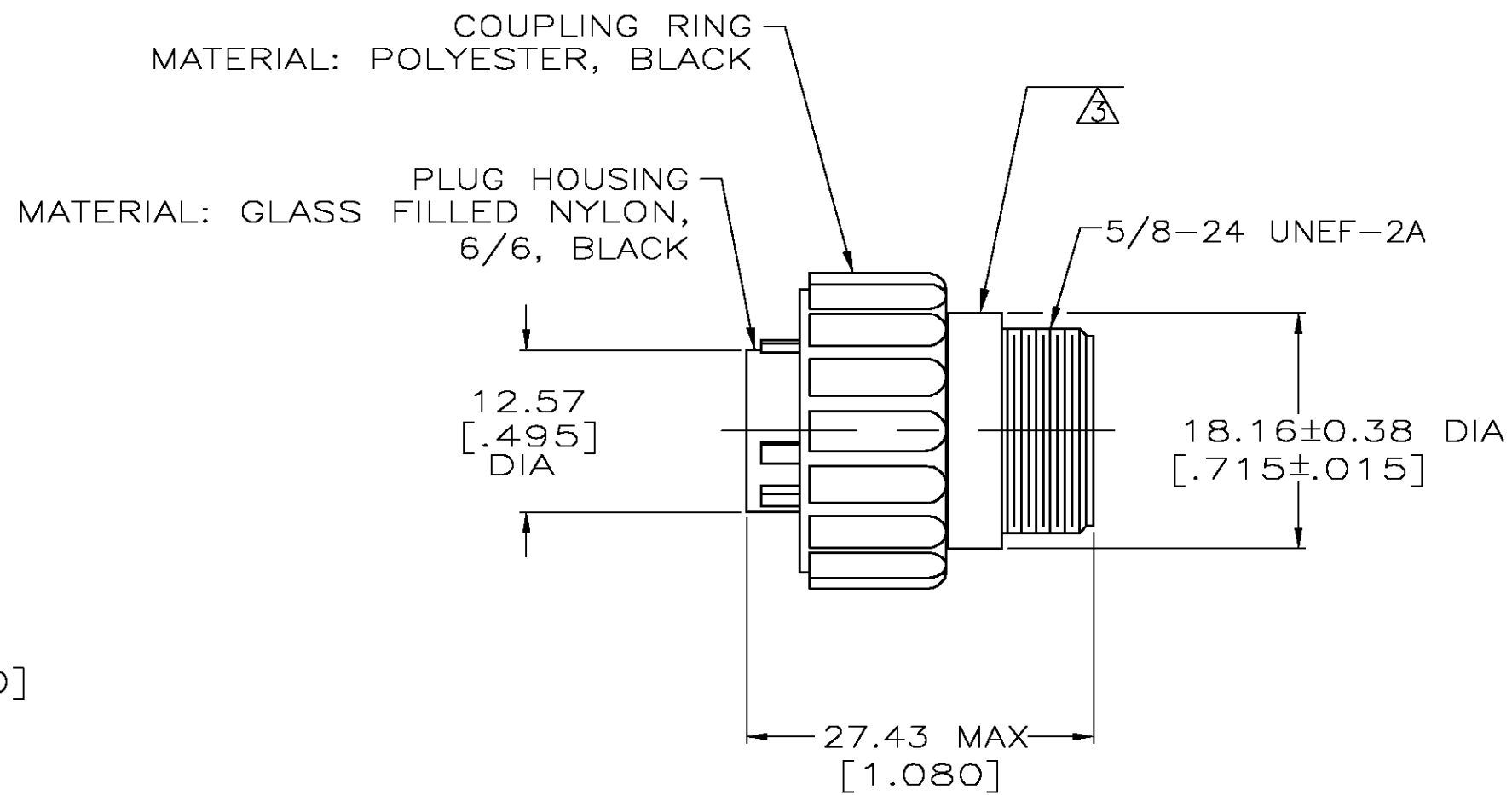
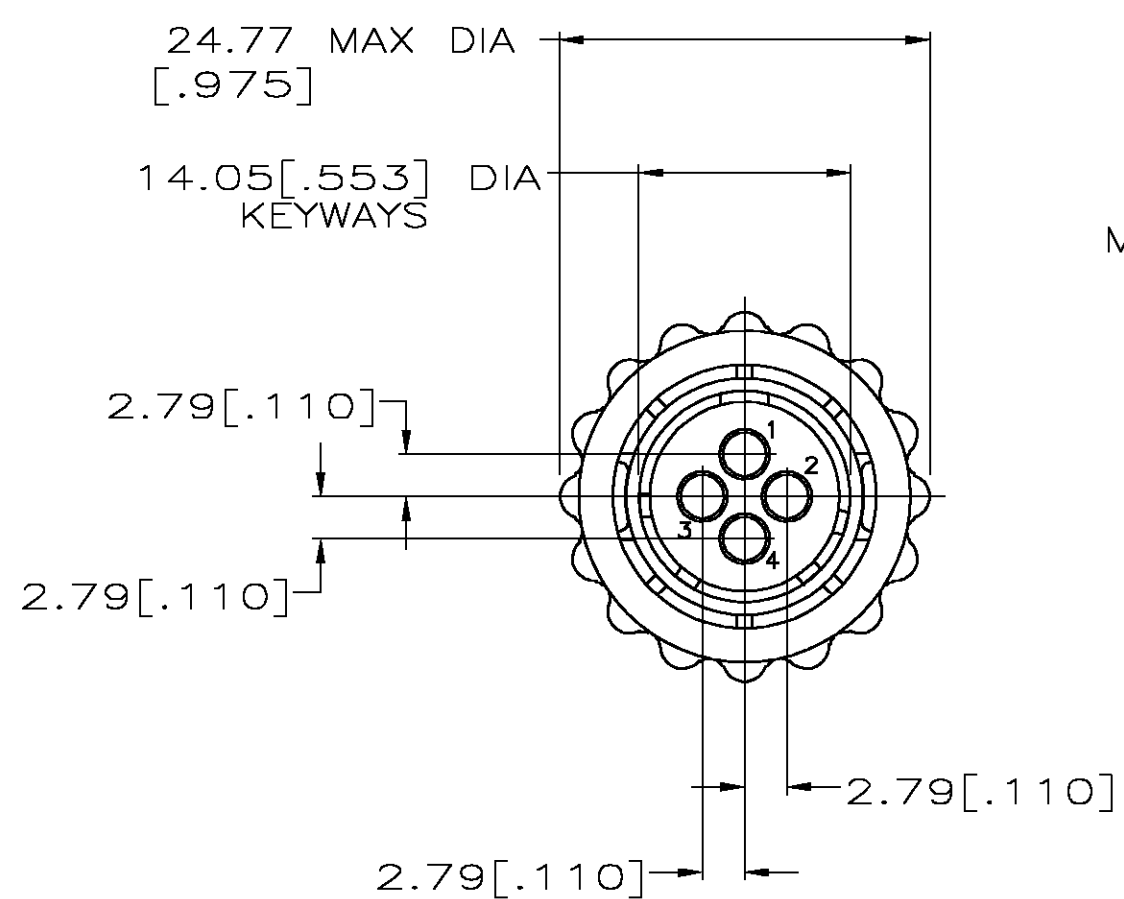
www.Jameco.com ♦ 1-800-831-4242

The content and copyrights of the attached
material are the property of its owner.

Jameco Part Number 495082

THIS DRAWING IS UNPUBLISHED. RELEASED FOR PUBLICATION
 © COPYRIGHT BY TYCO ELECTRONICS CORPORATION. ALL RIGHTS RESERVED.

LOC		DIST		REVISIONS			
P	LTR	DESCRIPTION	DATE	DWN	APVD		
FT	4	H	REVISED PER 0G3B-0655-02	4/8/03	SS	SH	



NOTES:

1. CAVITY IDENTIFICATION ON FRONT AND REAR FACE.
2. WILL ACCEPT FOUR (4) MULTIMATE CONTACTS.

MOLDED PART NUMBER THIS SURFACE. PART NUMBER MAY ALSO APPEAR ON COUPLING RING MATING FACE.

SMALL PACK	206060-2
STANDARD	206060-1
PACKAGING	PART NO.

THIS DRAWING IS A CONTROLLED DOCUMENT.		DWN	D.GELTZ	07/26/93	Tyco Electronics Corporation Harrisburg, PA 17105
DIMENSIONS: MM		CHK	R.STONE	08/11/93	
TOLERANCES UNLESS OTHERWISE SPECIFIED:		APVD	-	-	NAME
0 PLC	± -	PRODUCT SPEC		108-10024	
1 PLC	± -	APPLICATION SPEC		-	
2 PLC	± 0.13 [.005]	WEIGHT		-	
3 PLC	± -	MATERIAL		SEE	
4 PLC	± -	FINISH		-	
ANGLES	± -	CUSTOMER DRAWING		SCALE 2:1 SHEET 1 OF 1 REV H	