



Have a Question?
 Chat with a Product
 Information Specialist

What can we help you find?

[Products](#) [Industries](#) [Resources](#) [About TE](#) [My Account](#) [Innovation](#) [Support Center](#)

206070-8 Product Details

[Share](#) [Print](#) [Email](#)



206070-8

TE Internal Number: 206070-8

Active

[View 3D PDF](#)

CPC Accessories

Always EU RoHS/ELV Compliant (Statement of Compliance)

Product Highlights:

- Accessory Type = Cable Clamp
- Shell Size = 17
- Body Style = Straight
- Cable Diameter (Max.) = 11.51 mm
- Thermoplastic Cable Clamp Material

[View all Features](#)

Quick Links

- ▶ [Pricing & Availability](#)
- ▶ [Search for Tooling](#)
- ▶ [Product Feature Selector](#)
- ▶ [Contact Us About This Product](#)

[Add to My Part List](#) [Request Sample](#) [Find Similar Products](#) [Buy Product](#)

Documentation & Additional Information

Product Drawings:

- [CABLE CLAMP KIT, STANDARD, SHELL SIZE 17, CPC \(PDF, English\)](#)

Catalog Pages/Data Sheets:

- [AMP Circular Connectors for Commercial Signal & Powe... \(PDF, English\)](#)
- [AMP Circular Connectors for Commercial Signal & Powe... \(PDF, English\)](#)

Product Specifications:

- None Available

Application Specifications:

- None Available

Instruction Sheets:

- [Installing Flat Ring Onto Cable Clamp \(PDF, English\)](#)

CAD Files: (CAD Format & Compression Information)

- [2D Drawing \(DXF, Version R\)](#)
- [3D Model \(IGES, Version R\)](#)
- [3D Model \(STEP, Version R\)](#)

[List all Documents](#)

Additional Information:

- [Product Line Information](#)

Additional Product Images:

- [Product Usage](#)
- [Product Usage](#)
- [Product Usage](#)

Related Products:

- [Tooling](#)

Product Features (Please use the Product Drawing for all design activity)

Product Type Features:

- Accessory Type = Cable Clamp
- Shell Size = 17
- Thread Size = 15/16-20

Dimensions:

- Cable Diameter (Max.) (mm [in]) = 11.51 [0.453]

Body Features:

- Body Style = Straight
- Cable Clamp Material = Thermoplastic
- Cover = Without
- Cable Clamp Color = Black
- Cable Clamp Flammability Rating = UL94V-1

Industry Standards:

- RoHS/ELV Compliance = RoHS compliant, ELV compliant
- Lead Free Solder Processes = Not relevant for lead free process
- RoHS/ELV Compliance History = Always was RoHS compliant

Packaging Features:

- Packaging Method = Individual

Other:

- Brand = AMP
- Comment = Clamping areas adjustable by inverting or changing inserts.; Components for all cable clamps are packaged unassembled. This includes the cable clamp, two screws, and the clamping inserts.; Cable clamps can be threaded directly onto plugs or receptacles, or onto back-shell extenders.; Replacement screws are available in the following sizes: 9.52mm [3/8 in.] -P/N 19024-1, 12.7mm [1/2 in.] -P/N 19024-2, 15.88mm [5/8 in.] -P/N 19024-3, 25.4mm [1 in.] -P/N 19024-4, 19.05mm [3/4 in.] -P/N 19024-5.; Cable clamp inserts are not sold separately.; Packaging includes two screws: Shell sizes 11-17, screw length 9.52 [.375]; shell size 23, screw length 15.88 [.625].

Corporate Information

- [About TE](#)
- [Investors](#)
- [News Room](#)

Quick Links

- [Distributor Inventory](#)
- [Product Cross Reference](#)
- [Documents & Drawings](#)

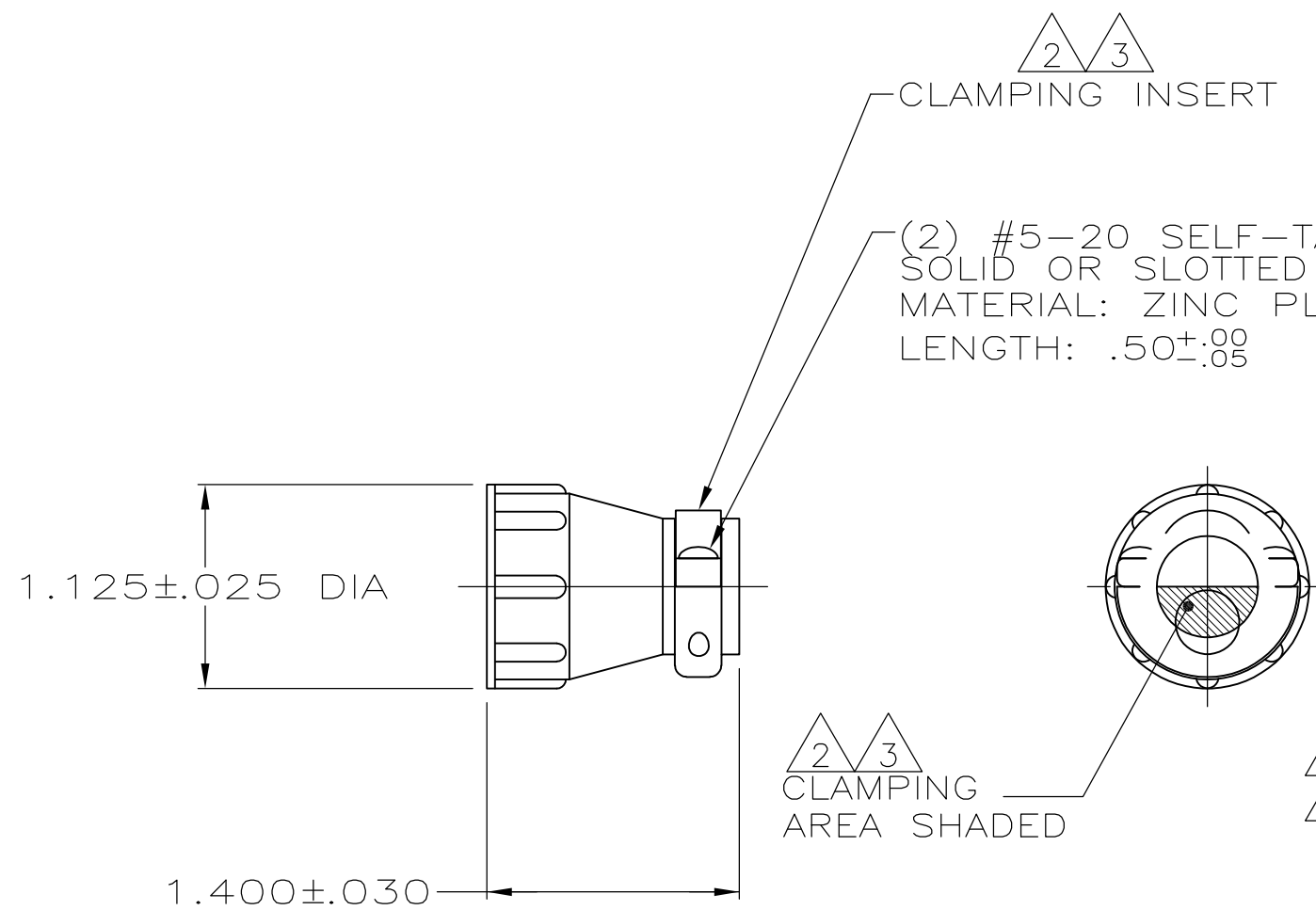
Customer Support

- [Email or Chat With Us](#)
- [Find a Phone Number](#)
- [Knowledge Base](#)

THIS DRAWING IS UNPUBLISHED. RELEASED FOR PUBLICATION
 © COPYRIGHT - By - ALL RIGHTS RESERVED.

LOC	DIST	REVISIONS					
FT	0	P	LTR	DESCRIPTION	DATE	DWN	APVD
			N3	REVISED PER ECO-11-004587	11MAR11	RK	HMR

- 1 PART PACKAGED UNASSEMBLED.
- 2 CABLE CLAMPING AREA ADJUSTABLE FROM .010 TO .161 SQ IN BY REVERSING CLAMPING INSERTS. (2 INSERTS SUPPLIED)
- 3 CABLE CLAMPING AREA ADJUSTABLE FROM .010 TO .161 SQ IN BY CHANGING CLAMPING INSERTS. (4 INSERTS SUPPLIED, -4 ONLY)
- 4 .453 MAXIMUM CABLE OUTSIDE DIAMETER.
- 5 BULK PACKAGED KITS TO BE ORDERED IN MULTIPLES OF 200 ONLY.
- 6 NON-HEXAVALENT CHROMATE FINISH.
- 7 OBSOLETE PARTS: OBSOLETE CIS STREAMLINING PER D.RENAUD/D.SINISI



6	INDIVIDUAL	1-206070-1
2 6	5 BULK	1-206070-0
2 6 7	OBSOLETE SMALL PACK	206070-9
2 6	INDIVIDUAL	206070-8
6 7	OBSOLETE INDIVIDUAL	206070-7
6 7	OBSOLETE SMALL PACK	206070-6
	OBSOLETE BULK	206070-4
6 2	5 BULK	206070-3
6 2	INDIVIDUAL	206070-1

THIS DRAWING IS A CONTROLLED DOCUMENT.		DWN A GRAFF 4/23/91	STE TE Connectivity	
DIMENSIONS: INCHES		CHK W.G.LENKER 7-22-92		
TOLERANCES UNLESS OTHERWISE SPECIFIED:		APVD -	NAME CABLE CLAMP KIT, STANDARD, SHELL SIZE 17, CPC	
0 PLC ± -		PRODUCT SPEC 108-10024	SIZE A3	
1 PLC ± -		APPLICATION SPEC -	CAGE CODE 00779	DRAWING NO C-206070
2 PLC ± -		WEIGHT -	RESTRICTED TO -	
3 PLC ± -		MATERIAL THERMOPLASTIC	SCALE NTS	
4 PLC ± -			SHEET 1 OF 1	
ANGLES ± -		CUSTOMER DRAWING		REV N3
FINISH -		SCALE NTS		