

Distributed by:

JAMECO[®]
ELECTRONICS

www.Jameco.com ♦ 1-800-831-4242

The content and copyrights of the attached
material are the property of its owner.

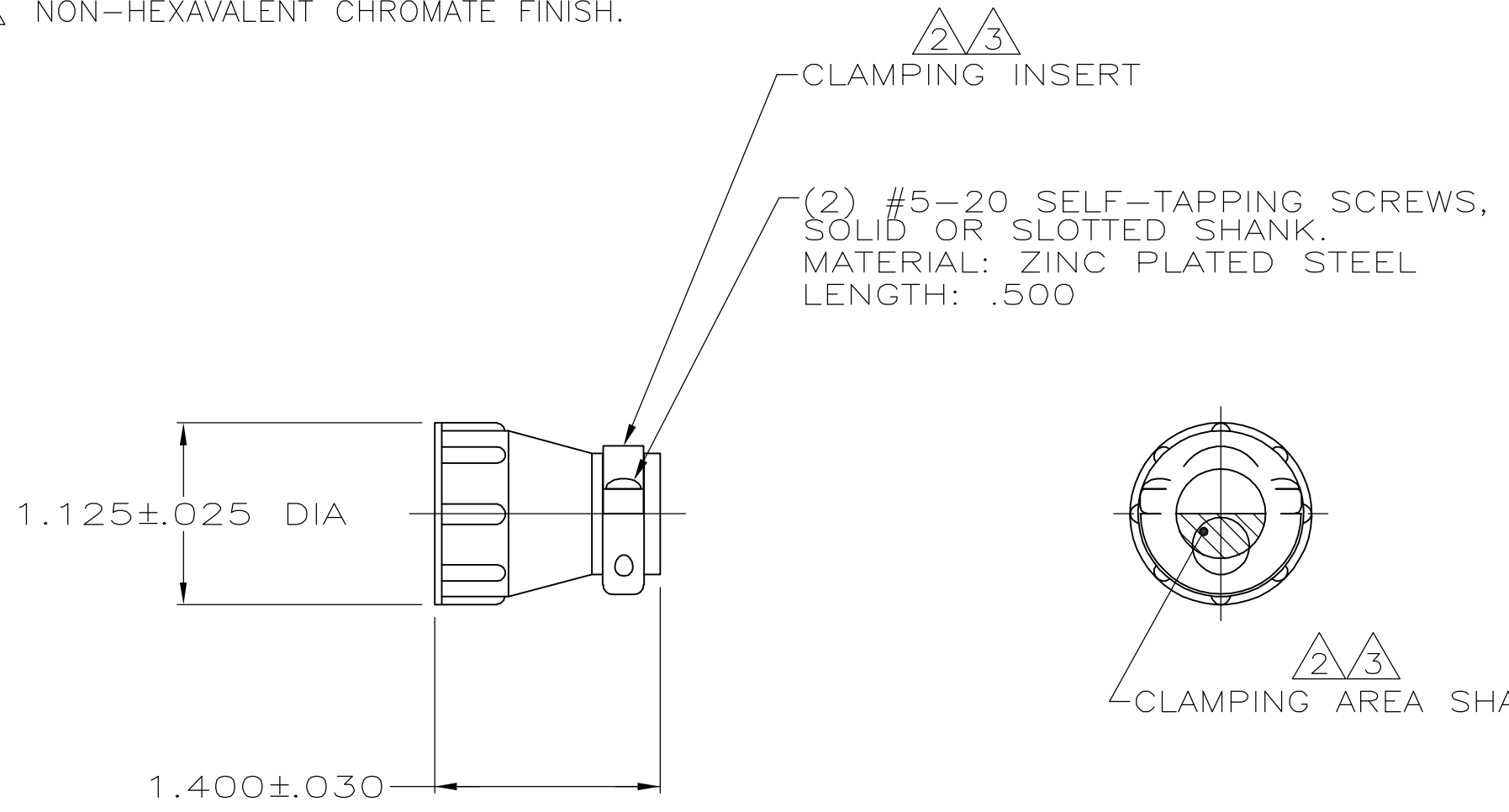
Jameco Part Number 749812

THIS DRAWING IS UNPUBLISHED. RELEASED FOR PUBLICATION
 © COPYRIGHT BY TYCO ELECTRONICS CORPORATION. ALL RIGHTS RESERVED.

LOC	DIST	REVISIONS			
P	LTR	DESCRIPTION	DATE	DWN	APVD
FT	0	M3	REVISED PER ECO-06-3414	2/21/06	SS SH

NOTES:

1. PART PACKAGED UNASSEMBLED.
2. CABLE CLAMPING AREA ADJUSTABLE FROM .010 TO .161 SQ IN BY REVERSING CLAMPING INSERTS. (2 INSERTS SUPPLIED, -1 AND -3 ONLY)
3. CABLE CLAMPING AREA ADJUSTABLE FROM .010 TO .161 SQ IN BY CHANGING CLAMPING INSERTS. (4 INSERTS SUPPLIED, -4 ONLY)
4. .453 MAXIMUM CABLE OUTSIDE DIAMETER.
5. BULK PACKAGED KITS TO BE ORDERED IN MULTIPLES OF 200 ONLY.
6. NON-HEXAVALENT CHROMATE FINISH.



6	INDIVIDUAL	1-206070-1
6	5 BULK	1-206070-0
6	SMALL PACK	206070-9
6	INDIVIDUAL	206070-8
	INDIVIDUAL	206070-7
	SMALL PACK	206070-6
OBSOLETE	5 BULK	206070-4
	5 BULK	206070-3
	INDIVIDUAL	206070-1
	PACKAGING	PART NUMBER

THIS DRAWING IS A CONTROLLED DOCUMENT.		DWN A GRAFF 4/23/91	Tyco Electronics Corporation Harrisburg, PA 17105-3608	
DIMENSIONS: INCHES		CHK W.G.LENKER 7-22-92	NAME CABLE CLAMP KIT, STANDARD, SHELL SIZE 17, CPC	
		APVD -	PRODUCT SPEC 108-10024	
TOLERANCES UNLESS OTHERWISE SPECIFIED:		PRODUCT SPEC 108-10024	APPLICATION SPEC -	
0 PLC ± - 1 PLC ± - 2 PLC ± - 3 PLC ± - 4 PLC ± - ANGLES ± -		APVD -	SIZE A3	CAGE CODE 00779
MATERIAL THERMOPLASTIC,		FINISH -	DRAWING NO C=206070	RESTRICTED TO -
CUSTOMER DRAWING			SCALE NTS	SHEET 1 OF 1
			REV M3	