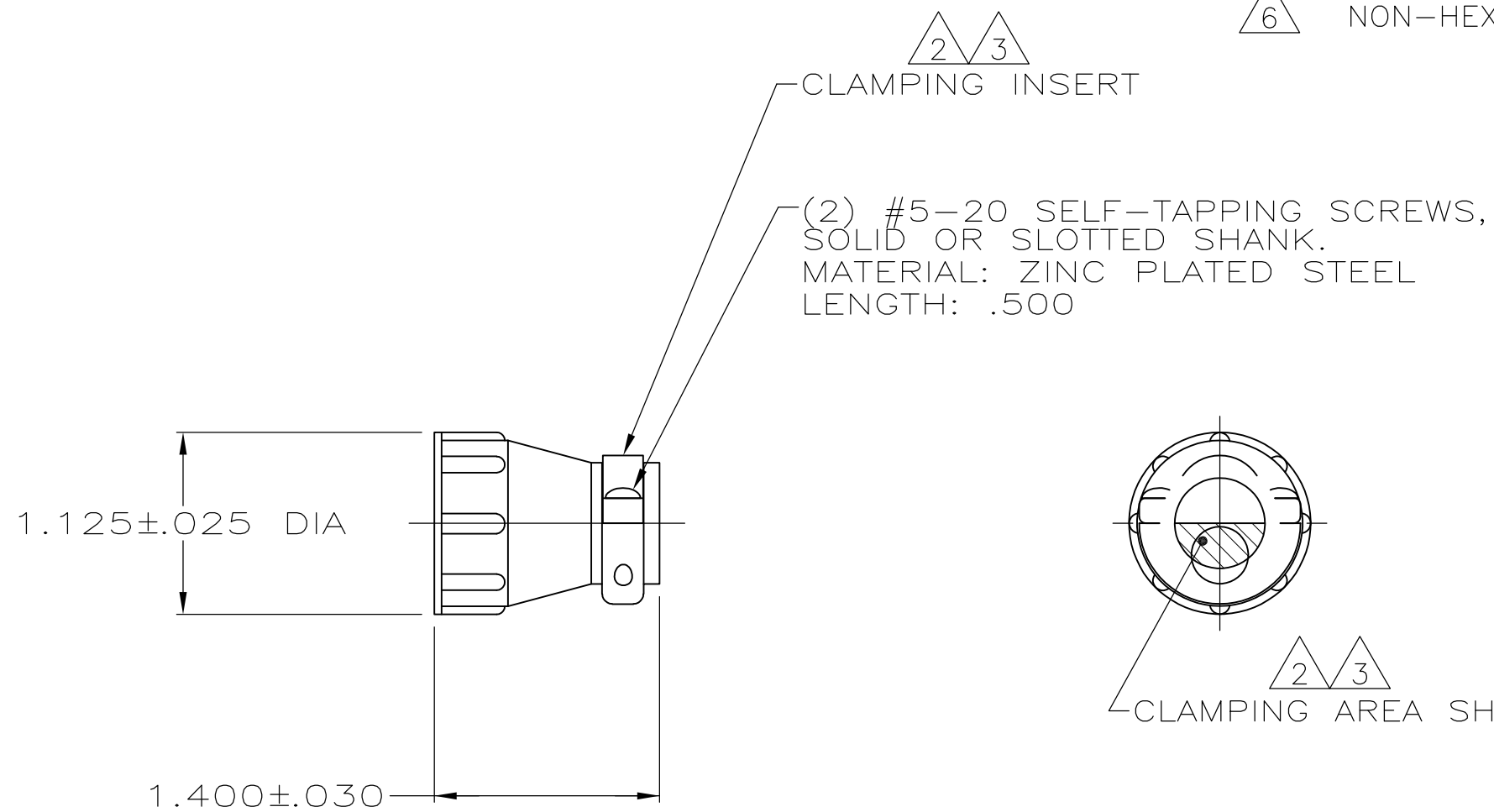


THIS DRAWING IS UNPUBLISHED. RELEASED FOR PUBLICATION  
 © COPYRIGHT BY TYCO ELECTRONICS CORPORATION. ALL INTERNATIONAL RIGHTS RESERVED.

LOC	DIST	REVISIONS					
FT	0	P	LTR	DESCRIPTION	DATE	DWN	APVD
			M4	REVISED PER ECO-08-023977	29SEP08	HMR	BC

- 1 PART PACKAGED UNASSEMBLED.
- △2 CABLE CLAMPING AREA ADJUSTABLE FROM .010 TO .161 SQ IN BY REVERSING CLAMPING INSERTS. (2 INSERTS SUPPLIED)
- △3 CABLE CLAMPING AREA ADJUSTABLE FROM .010 TO .161 SQ IN BY CHANGING CLAMPING INSERTS. (4 INSERTS SUPPLIED, -4 ONLY)
- 4 .453 MAXIMUM CABLE OUTSIDE DIAMETER.
- △5 BULK PACKAGED KITS TO BE ORDERED IN MULTIPLES OF 200 ONLY.
- △6 NON-HEXAVALENT CHROMATE FINISH.



△6	INDIVIDUAL	1-206070-1
△2 △6	△5 BULK	1-206070-0
△2 △6	SMALL PACK	206070-9
△2 △6	INDIVIDUAL	206070-8
	INDIVIDUAL	206070-7
	SMALL PACK	206070-6
OBSOLETE	△5 BULK	206070-4
△2	△5 BULK	206070-3
△2	INDIVIDUAL	206070-1
	PACKAGING	PART NUMBER

THIS DRAWING IS A CONTROLLED DOCUMENT.		DWN	4/23/91		Tyco Electronics Corporation	
		CHK	7-22-92		Harrisburg, PA 17105-3608	
		APVD	-		NAME	
		PRODUCT SPEC	108-10024		CABLE CLAMP KIT, STANDARD, SHELL SIZE 17, CPC	
		APPLICATION SPEC	-		RESTRICTED TO	
MATERIAL		WEIGHT	SIZE	CAGE CODE	DRAWING NO	
THERMOPLASTIC,		-	A3	00779	C-206070	-
FINISH		CUSTOMER DRAWING		SCALE	SHEET	REV
-				NTS	1 OF 1	M4