



**Have a Question?**  
 Chat with a Product Information Specialist

What can we help you find?

[Products](#) | 
 [Industries](#) | 
 [Resources](#) | 
 [About TE](#) | 
 [My Account](#) | 
 [Innovation](#) | 
 [Support Center](#)

## 206153-1 Product Details

[Share](#) | 
 [Print](#) | 
 [Email](#)



**206153-1**

TE Internal Number: 206153-1

Active

View 3D PDF

### CPC (Circular Plastic) and Circular Metal-Shell Connectors

Always EU RoHS/ELV Compliant (Statement of Compliance)

**Product Highlights:**

- Housing
- Connector Style = Receptacle
- 4 Positions
- 4 Signal Positions
- 0 Power Positions

[View all Features](#)

### Quick Links

- ▶ [Pricing & Availability](#)
- ▶ [Search for Tooling](#)
- ▶ [View Mating Products \(1\)](#)
- ▶ [Product Feature Selector](#)
- ▶ [Contact Us About This Product](#)

[Add to My Part List](#) | 
 [Request Sample](#) | 
 [Find Similar Products](#) | 
 [Buy Product](#)

Documentation & Additional Information	
<p><b>Product Drawings:</b></p> <ul style="list-style-type: none"> <li>• <a href="#">RECEPTACLE HOUSING, STANDARD SEX, SHELL SIZE 11, CPC</a> (PDF, English)</li> </ul> <p><b>Catalog Pages/Data Sheets:</b></p> <ul style="list-style-type: none"> <li>• <a href="#">AMP Circular Connectors for Commercial Signal &amp; Powe...</a> (PDF, English)</li> </ul> <p><b>Product Specifications:</b></p> <ul style="list-style-type: none"> <li>• None Available</li> </ul> <p><b>Application Specifications:</b></p> <ul style="list-style-type: none"> <li>• <a href="#">Circular Plastic Connectors (CPC)</a> (PDF, English)</li> </ul> <p><b>Instruction Sheets:</b></p> <ul style="list-style-type: none"> <li>• <a href="#">Circular Plastic Connectors (CPC)</a> (PDF, English)</li> </ul> <p><b>CAD Files:</b> (CAD Format &amp; Compression Information)</p> <ul style="list-style-type: none"> <li>• <a href="#">2D Drawing</a> (DXF, Version G)</li> <li>• <a href="#">3D Model</a> (IGES, Version G)</li> <li>• <a href="#">3D Model</a> (STEP, Version G)</li> </ul>	<p><b>Additional Product Images:</b></p> <ul style="list-style-type: none"> <li>• <a href="#">Contact Arrangement</a></li> </ul> <p><b>Related Products:</b></p> <ul style="list-style-type: none"> <li>• <a href="#">Tooling</a></li> <li>• <a href="#">Mating Products (1)</a></li> </ul>

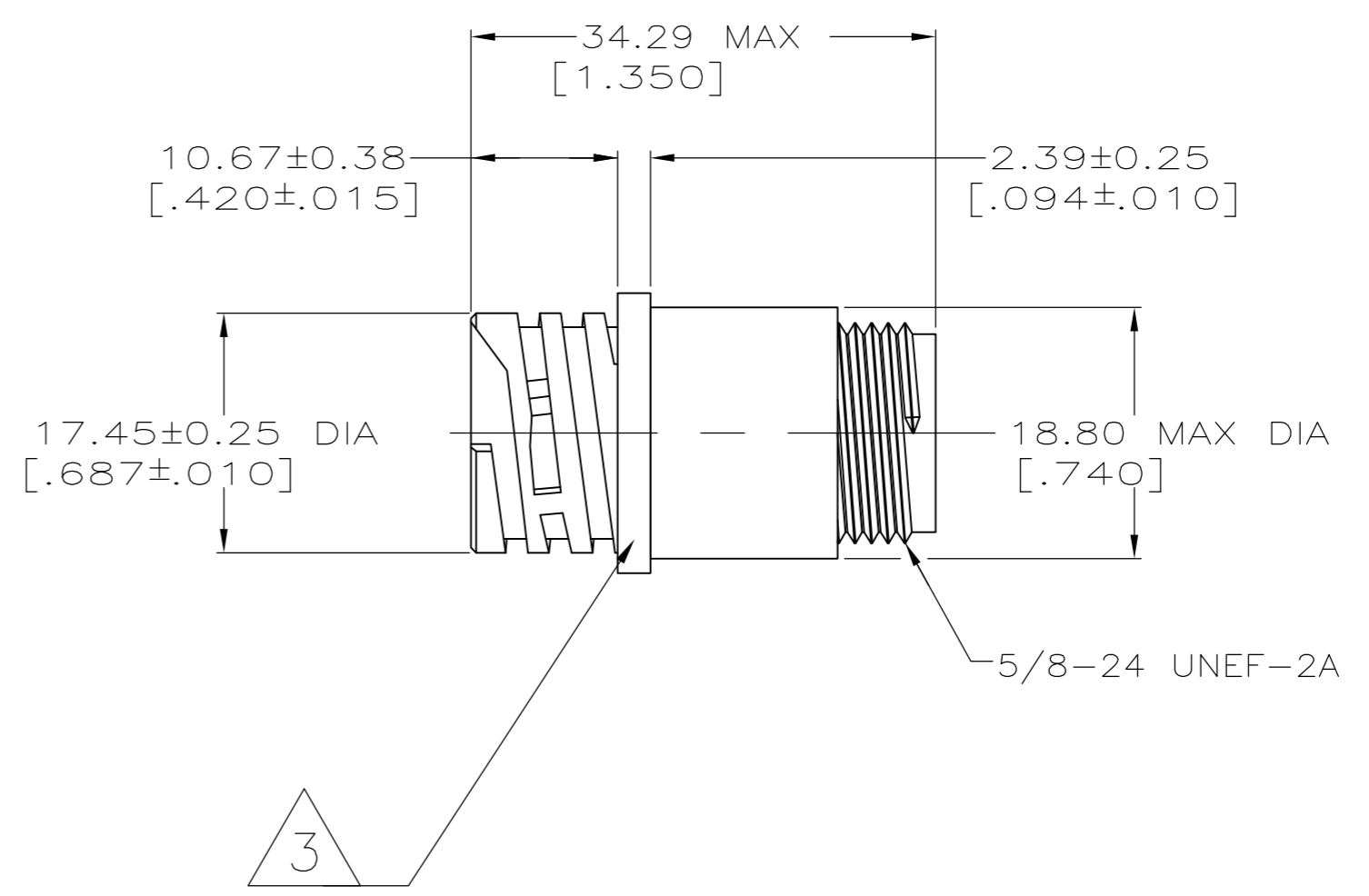
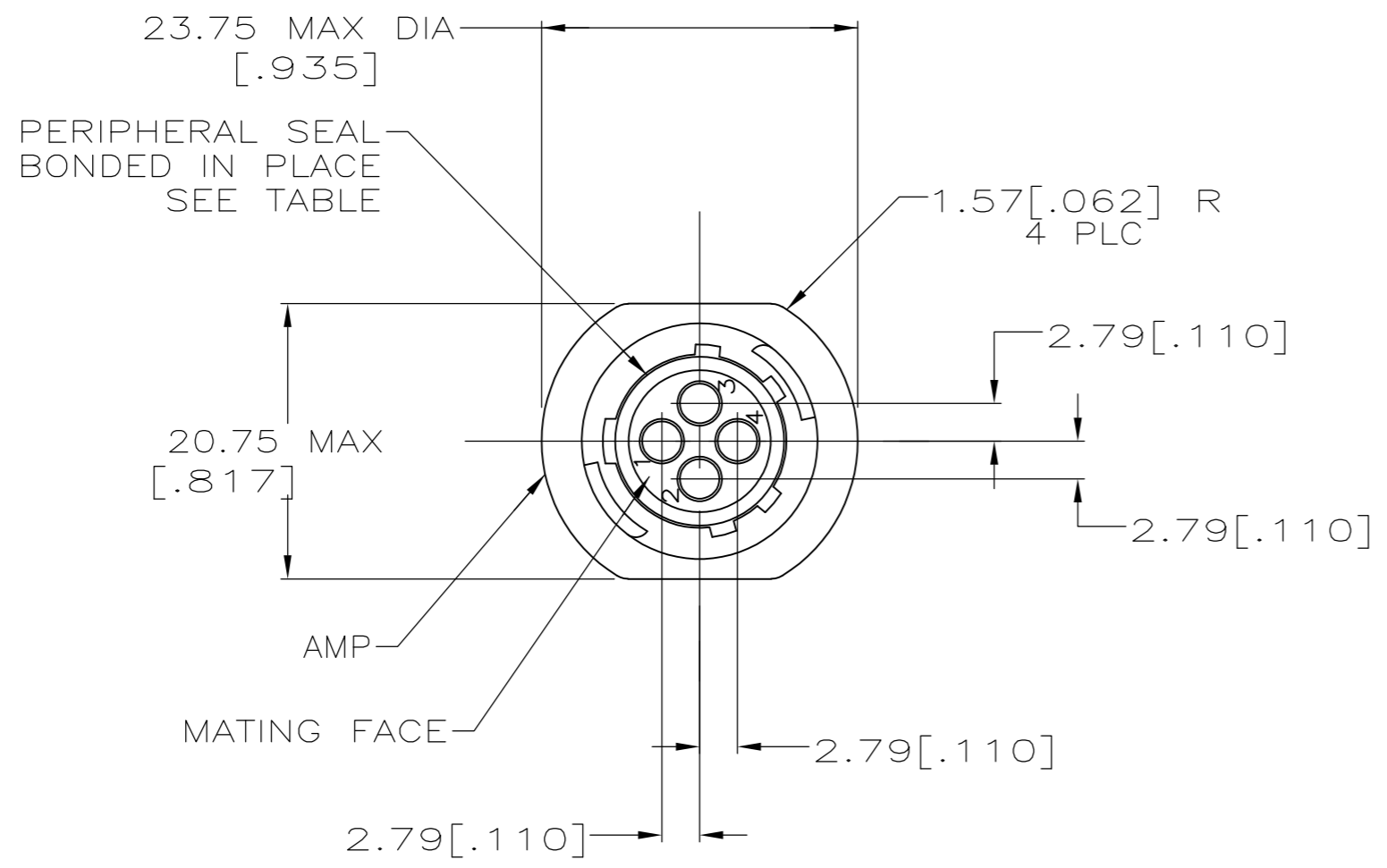
[List all Documents](#)

Product Features (Please use the Product Drawing for all design activity)	
<p><b>Product Type Features:</b></p> <ul style="list-style-type: none"> <li>• Connector Type = Housing</li> <li>• Mount Angle = Straight</li> <li>• Shell Size = 11</li> <li>• Shell Type = All Plastic</li> <li>• Product Series = Series 1</li> <li>• Thread Size = 5/8 - 24 UNEF-2A</li> <li>• Sealed = No</li> </ul> <p><b>Mechanical Attachment:</b></p> <ul style="list-style-type: none"> <li>• <a href="#">Mount</a> = Free Hanging</li> <li>• Mating Retention Type = Threaded Coupling</li> </ul> <p><b>Contact Features:</b></p> <ul style="list-style-type: none"> <li>• <a href="#">Contact Type</a> = Pin</li> <li>• <a href="#">Reverse Gender</a> = Standard</li> </ul> <p><b>Housing Features:</b></p> <ul style="list-style-type: none"> <li>• <a href="#">Connector Style</a> = Receptacle</li> <li>• Mating Alignment Type = Keyed</li> <li>• Housing Material = Thermoplastic - GF</li> <li>• Housing Color = Black</li> <li>• UL Flammability Rating = UL 94V-0</li> </ul>	<p><b>Configuration Features:</b></p> <ul style="list-style-type: none"> <li>• <a href="#">Number of Positions</a> = 4</li> <li>• <a href="#">Number of Signal Positions</a> = 4</li> <li>• <a href="#">Number of Power Positions</a> = 0</li> <li>• <a href="#">Environmental Protection</a> = Without</li> <li>• <a href="#">Reverse Numbering</a> = Without</li> </ul> <p><b>Industry Standards:</b></p> <ul style="list-style-type: none"> <li>• <a href="#">VDE Tested</a> = No</li> <li>• <a href="#">RoHS/ELV Compliance</a> = RoHS compliant, ELV compliant</li> <li>• <a href="#">Lead Free Solder Processes</a> = Not relevant for lead free process</li> <li>• <a href="#">RoHS/ELV Compliance History</a> = Always was RoHS compliant</li> </ul> <p><b>Identification Marking:</b></p> <ul style="list-style-type: none"> <li>• <a href="#">Keying</a> = A</li> </ul> <p><b>Environmental:</b></p> <ul style="list-style-type: none"> <li>• <a href="#">Fluid Resistance</a> = None</li> </ul> <p><b>Other:</b></p> <ul style="list-style-type: none"> <li>• <a href="#">Brand</a> = AMP</li> </ul>

THIS DRAWING IS UNPUBLISHED. RELEASED FOR PUBLICATION  
 © COPYRIGHT - By - ALL RIGHTS RESERVED.

LOC	DIST	REVISIONS			
P	LTR	DESCRIPTION	DATE	DWN	APVD
BD	35	G2	REVISED PER ECO-13-000918	17JAN13	KH MZ

- 1 CAVITY IDENTIFICATION ON FRONT AND REAR FACE.
- 2 RECEPTACLE WILL ACCEPT FOUR (4) MULTIMATE PIN CONTACTS.
- 3 206153-1 MOLDED INTO HOUSING ON THIS SURFACE, ORIENTATION OPTIONAL.



YES	206153-2
NO	206153-1
PERIPHERAL SEAL	PART NO

THIS DRAWING IS A CONTROLLED DOCUMENT.		DWN	D.HARDY	05/18/94	 TE Connectivity RECEPTACLE HOUSING, STANDARD SEX, SHELL SIZE 11, CPC
DIMENSIONS: MM [INCHES]		CHK	R.STONE	05/20/94	
TOLERANCES UNLESS OTHERWISE SPECIFIED:		APVD	A.FRANTUM	07/12/94	
0 PLC ± - 1 PLC ± - 2 PLC ± 0.13 [.005] 3 PLC ± - 4 PLC ± - ANGLES ± -		PRODUCT SPEC	108-10024		
MATERIAL	NYLON, BLACK	FINISH	-	WEIGHT	-
CUSTOMER DRAWING		SCALE	2:1	SHEET	1 OF 1
		REV	G2	RESTRICTED TO	