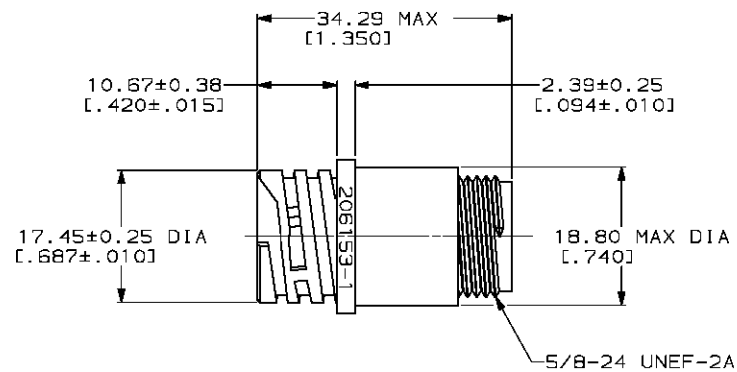
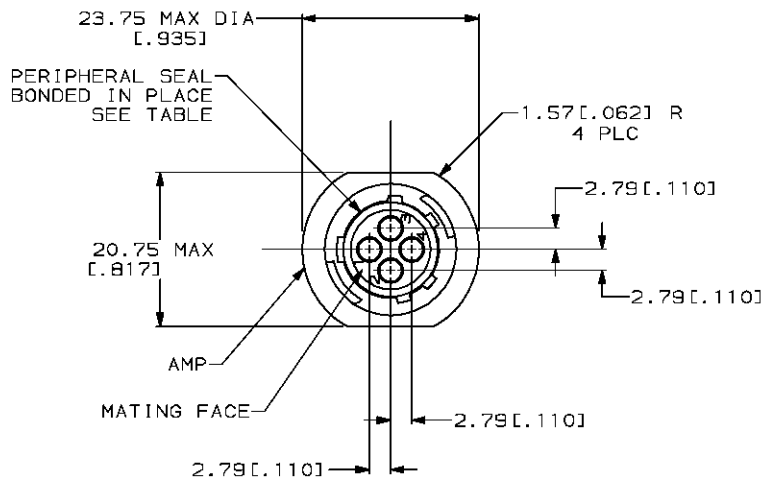


MOD		LOC		DIST		P		F		REVISIONS			
ZONE	LTR	DESCRIPTION			DATE	APPD							
4	BD	35								F	REDRAWN W/O CHANGE PER EC 0020-569-94	08/08/92	-
										G	REACTIVATE -2 PER EC 0020-1075-94	12/05/94	AF



1. CAVITY IDENTIFICATION ON FRONT AND REAR FACE.
2. RECEPTACLE WILL ACCEPT FOUR (4) MULTIMATE PIN CONTACTS.

THIS DRAWING IS A CONTROLLED DOCUMENT FOR AMP INCORPORATED. IT IS SUBJECT TO CHANGE AND THE CONTROLLING ENGINEERING ORGANIZATION SHOULD BE CONTACTED FOR THE LATEST REVISION.

YES	206153-2
NO	206153-1
PERIPHERAL SEAL	PART NO

DO NOT SCALE PRINT. UNLESS SPECIFIED DIMENSIONS IN mm [INCHES] TOLERANCES ON : 2 PLC DEC ± 0.13 [.005] 3 PLC DEC ± - ANGLES ± -		DR 05/18/94 D.HARDY		AMP Incorporated Harrisburg, PA 17105-3608	
MATERIAL NYLON, BLACK		CHK 05/20/94 R.STONE			
FINISH -		APPD 07/12/94 A.FRANTUM		NAME RECEPTACLE HOUSING, STANDARD SEX, SHELL SIZE 11, CPC	
WEIGHT -		APPD 07/12/94 A.FRANTUM		SIZE C 00779 C=206153	
		PRODUCT SPEC 108-10024		DRAWING NO	
		APPLICATION SPEC -		SCALE 2:1	
				SHEET 1 OF 1	

CUSTOMER DRAWING