

Distributed by:

JAMECO[®]
ELECTRONICS

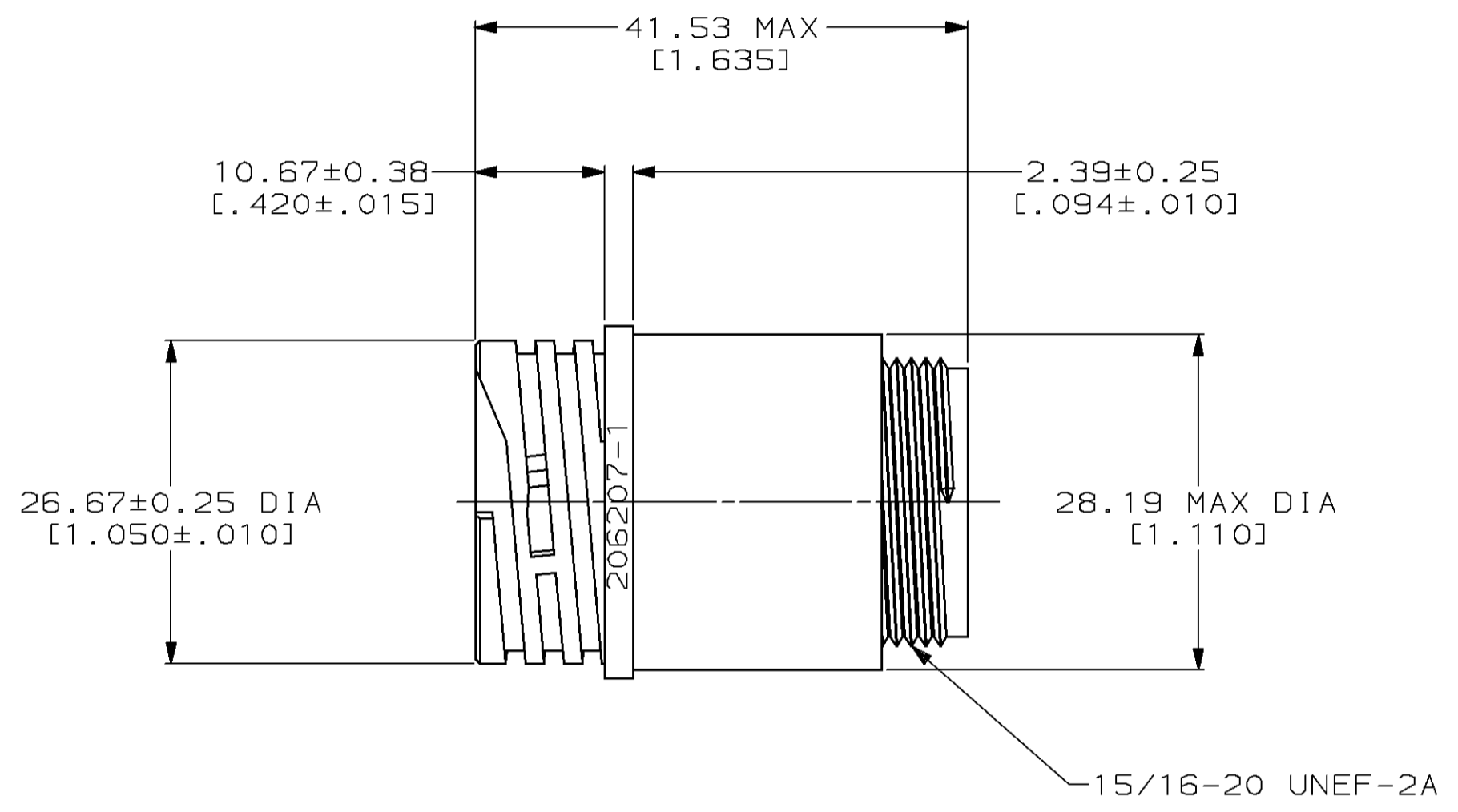
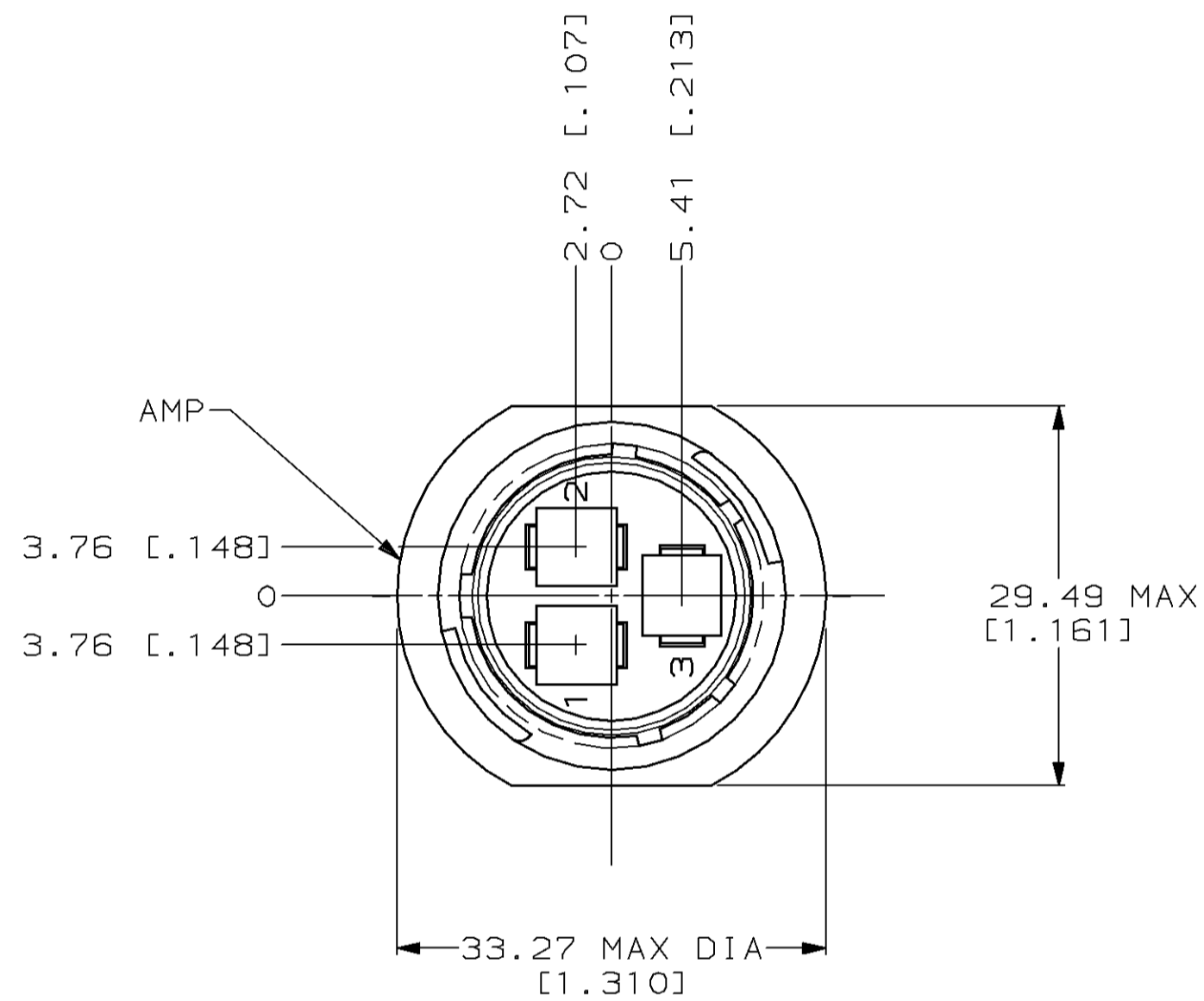
www.Jameco.com ♦ 1-800-831-4242

The content and copyrights of the attached
material are the property of its owner.

Jameco Part Number 744237

THIS DRAWING IS UNPUBLISHED. RELEASED FOR PUBLICATION, 19 .
 © COPYRIGHT 19 BY AMP INCORPORATED. ALL INTERNATIONAL RIGHTS RESERVED.

MOD	LOC	DIST	P	F	ZONE	LTR	DESCRIPTION	DATE	APPD
4	BD	35				G	REDRAWN W/O CHANGE PER EC 0020-569-94	06/01/94	-



- CAVITY IDENTIFICATION ON FRONT AND REAR FACE.
- WILL ACCEPT THREE (3) TYPE XII PIN CONTACTS.

		206207-1	
		PART NO	
DO NOT SCALE PRINT. UNLESS SPECIFIED DIMENSIONS IN mm [INCHES] TOLERANCES ON : 2 PLC DEC ±0.13 [0.005] 3 PLC DEC ± - ANGLES ± -		AMP AMP Incorporated Harrisburg, PA 17105-3608 NAME RCPT HSG, STANDARD SEX, SHELL SIZE 17, CPC	
MATERIAL NYLON, BLACK	DR 06/01/94 D.HARDY CHK 06/08/94 W.G.LENKER APPD 07/13/94 A.FRANTUM	SIZE CAGE CODE DRAWING NO	SCALE SHEET
FINISH -	APPD 07/13/94 A.FRANTUM PRODUCT SPEC - APPLICATION SPEC - WEIGHT -	C 00779 G=206207	2:1 1 OF 1

THIS DRAWING IS A CONTROLLED DOCUMENT FOR AMP INCORPORATED. IT IS SUBJECT TO CHANGE AND THE CONTROLLING ENGINEERING ORGANIZATION SHOULD BE CONTACTED FOR THE LATEST REVISION.