

THIS DRAWING IS UNPUBLISHED.

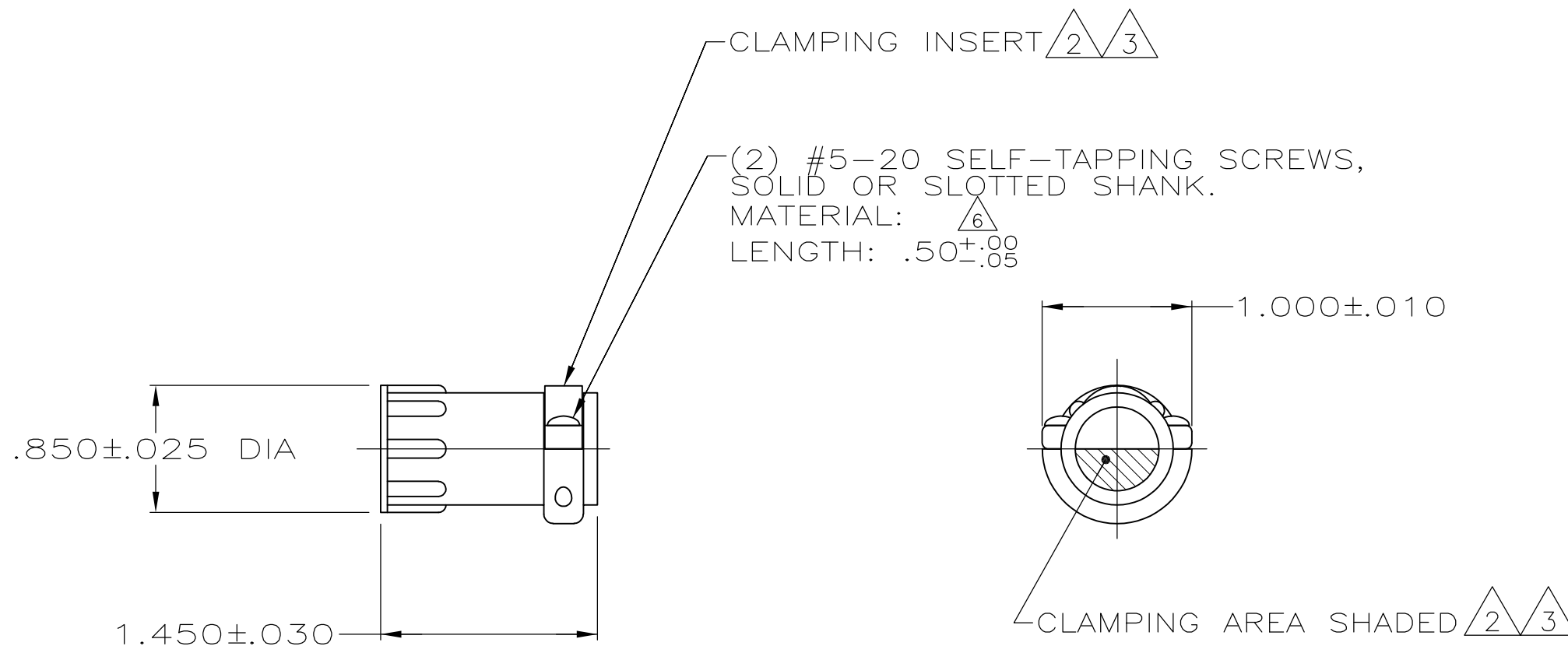
RELEASED FOR PUBLICATION

ALL RIGHTS RESERVED.

LOC
BD
DIST
0

REVISIONS

P	LTR	DESCRIPTION	DATE	DWN	APVD
	N1	REVISED PER ECO-11-004820	11MAR11	RK	HMR



1 PARTS PACKAGED UNASSEMBLED.

$\triangle 2$ CABLE CLAMPING AREA ADJUSTABLE FROM .010 TO .161 SQ IN BY REVERSING CLAMPING INSERTS. (2 INSERTS SUPPLIED, -1 AND -2 ONLY)

$\triangle 3$ CABLE CLAMPING AREA ADJUSTABLE FROM .010 TO .161 SQ IN BY CHANGING CLAMPING INSERTS. (4 INSERTS SUPPLIED, -3 ONLY)

4 .453 MAXIMUM CABLE OUTSIDE DIAMETER.

$\triangle 5$ BULK PACKAGED KITS TO BE ORDERED IN MULTIPLES OF 200 ONLY.

$\triangle 6$ STEEL, ZINC PLATE WITH NON-HEXAVALENT CHROMATE.

$\triangle 6$	$\triangle 5$	BULK	206358-6
$\triangle 6$		INDIVIDUAL	206358-5
$\triangle 6$		INDIVIDUAL	206358-4
	OBSOLETE	$\triangle 5$ BULK	206358-3
$\triangle 6$	SUPERSEDED BY 206358-6	$\triangle 5$ BULK	206358-2
$\triangle 6$	SUPERSEDED BY 206358-5	INDIVIDUAL	206358-1
		PACKAGING	PART NUMBER

THIS DRAWING IS A CONTROLLED DOCUMENT.		DWN A GRAFF 4/23/91	STE TE Connectivity		
DIMENSIONS: INCHES		CHK W.G.LENKER 7-23-92			
TOLERANCES UNLESS OTHERWISE SPECIFIED:		APVD -	NAME CABLE CLAMP KIT, LARGE, SHELL SIZE 11, CPC		
0 PLC $\pm -$		PRODUCT SPEC 108-10024	APPLICATION SPEC		
1 PLC $\pm -$		APVD -	SIZE A3	CAGE CODE 00779	DRAWING NO C-206358
2 PLC $\pm -$		WEIGHT -	RESTRICTED TO -		
3 PLC $\pm -$		CUSTOMER DRAWING			
4 PLC $\pm -$		SCALE NTS		SHEET 1 OF 1	REV N1
ANGLES $\pm -$					
MATERIAL THERMOPLASTIC					
FINISH -					