



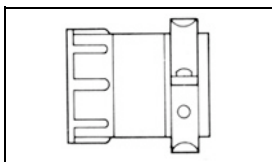
Have a Question?
 Chat with a Product
 Information Specialist

What can we help you find?

[Products](#) [Industries](#) [Resources](#) [About TE](#) [My Account](#) [Innovation](#) [Support Center](#)

206358-5 Product Details

[Share](#) [Print](#) [Email](#)



206358-5

TE Internal Number: 206358-5

Active

[View 3D PDF](#)

CPC Accessories

Always EU RoHS/ELV Compliant (Statement of Compliance)

Product Highlights:

- Accessory Type = Cable Clamp
- Shell Size = 11
- Body Style = Straight
- Cable Diameter (Max.) = 11.51 mm
- Thermoplastic Cable Clamp Material

[View all Features](#)

Quick Links

- ▶ [Pricing & Availability](#)
- ▶ [Search for Tooling](#)
- ▶ [Product Feature Selector](#)
- ▶ [Contact Us About This Product](#)

[Add to My Part List](#) [Request Sample](#) [Find Similar Products](#) [Buy Product](#)

Documentation & Additional Information

Product Drawings:

- [CABLE CLAMP KIT, LARGE, SHELL SIZE 11, CPC \(PDF, English\)](#)

Catalog Pages/Data Sheets:

- [AMP Circular Connectors for Commercial Signal & Powe... \(PDF, English\)](#)

Product Specifications:

- None Available

Application Specifications:

- None Available

Instruction Sheets:

- None Available

CAD Files: [\(CAD Format & Compression Information\)](#)

- [2D Drawing \(DXF, Version N\)](#)
- [3D Model \(IGES, Version N\)](#)
- [3D Model \(STEP, Version N\)](#)

[List all Documents](#)

Additional Information:

- [Product Line Information](#)

Additional Product Images:

- [Product Usage](#)
- [Product Usage](#)
- [Product Usage](#)

Related Products:

- [Tooling](#)

Product Features (Please use the Product Drawing for all design activity)

Product Type Features:

- Accessory Type = Cable Clamp
- Shell Size = 11
- Thread Size = 5/8-24

Dimensions:

- Cable Diameter (Max.) (mm [in]) = 11.51 [0.453]

Body Features:

- Body Style = Straight
- Cable Clamp Material = Thermoplastic
- Cover = Without
- Cable Clamp Color = Black
- Cable Clamp Flammability Rating = UL94V-1

Industry Standards:

- [RoHS/ELV Compliance](#) = RoHS compliant, ELV compliant
- [Lead Free Solder Processes](#) = Not relevant for lead free process
- [RoHS/ELV Compliance History](#) = Always was RoHS compliant

Packaging Features:

- [Packaging Method](#) = Individual

Other:

- Brand = AMP
- Comment = Clamping areas adjustable by inverting or changing inserts.; Components for all cable clamps are packaged unassembled. This includes the cable clamp, two screws, and the clamping inserts.; Cable clamps can be

threaded directly onto plugs or receptacles, or onto back-shell extenders.; Replacement screws are available in the following sizes: 9.52mm [3/8 in.] -P/N 19024-1, 12.7mm [1/2 in.] -P/N 19024-2, 15.88mm [5/8 in.] -P/N 19024-3, 25.4mm [1 in.] -P/N 19024-4, 19.05mm [3/4 in.] -P/N 19024-5.; Cable clamp inserts are not sold separately.

Corporate Information

- [About TE](#)
- [Investors](#)
- [News Room](#)
- [Supplier Portal](#)
- [Careers](#)

Quick Links

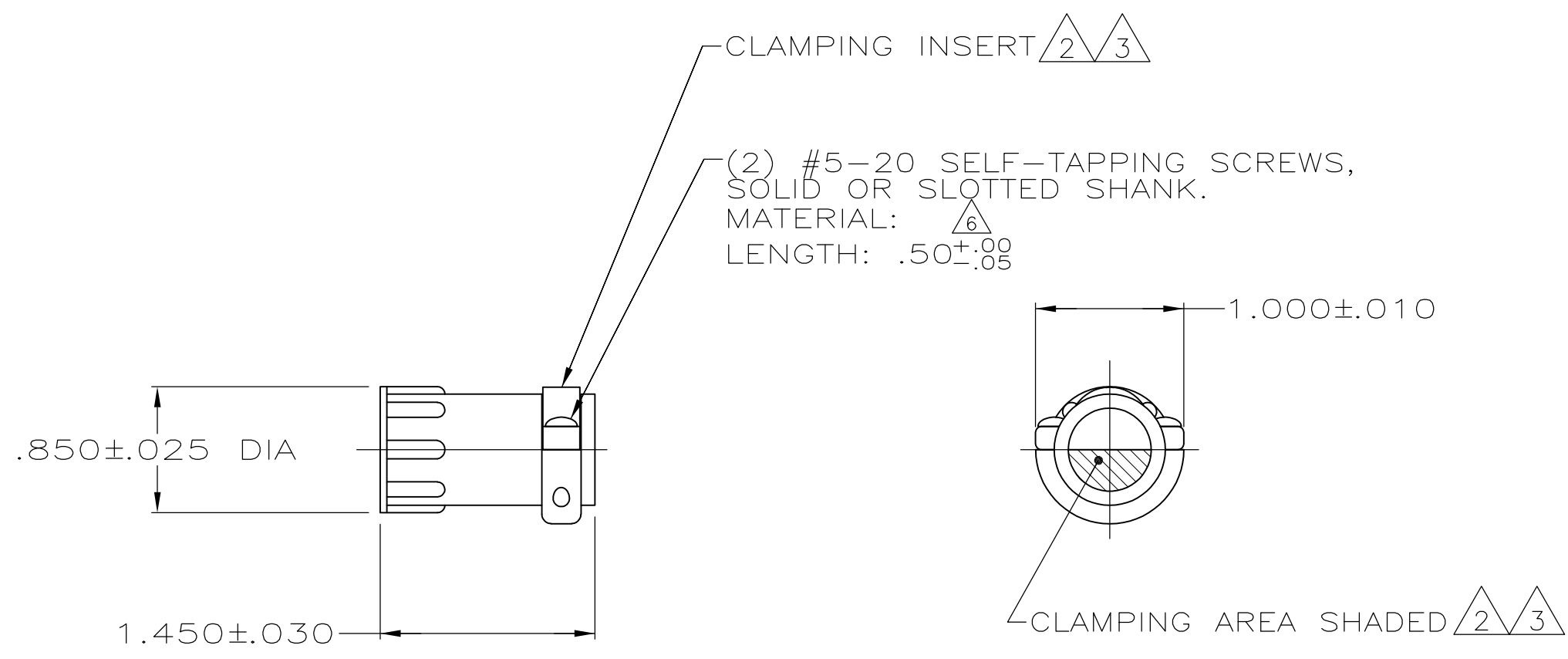
- [Distributor Inventory](#)
- [Product Cross Reference](#)
- [Documents & Drawings](#)
- [Product Compliance Support Center](#)
- [Site Map](#)

Customer Support

- [Email or Chat With Us](#)
- [Find a Phone Number](#)
- [Knowledge Base](#)
- [Manage Your Account](#)

THIS DRAWING IS UNPUBLISHED. RELEASED FOR PUBLICATION
 © COPYRIGHT - By - ALL RIGHTS RESERVED.

LOC	DIST	REVISIONS					
BD	0	P	LTR	DESCRIPTION	DATE	DWN	APVD
			N1	REVISED PER ECO-11-004820	11MAR11	RK	HMR



- 1 PARTS PACKAGED UNASSEMBLED.
- $\triangle 2$ CABLE CLAMPING AREA ADJUSTABLE FROM .010 TO .161 SQ IN BY REVERSING CLAMPING INSERTS. (2 INSERTS SUPPLIED, -1 AND -2 ONLY)
- $\triangle 3$ CABLE CLAMPING AREA ADJUSTABLE FROM .010 TO .161 SQ IN BY CHANGING CLAMPING INSERTS. (4 INSERTS SUPPLIED, -3 ONLY)
- 4 .453 MAXIMUM CABLE OUTSIDE DIAMETER.
- $\triangle 5$ BULK PACKAGED KITS TO BE ORDERED IN MULTIPLES OF 200 ONLY.
- $\triangle 6$ STEEL, ZINC PLATE WITH NON-HEXAVALENT CHROMATE.

$\triangle 6$	$\triangle 5$	BULK	206358-6
$\triangle 6$		INDIVIDUAL	206358-5
$\triangle 6$		INDIVIDUAL	206358-4
	OBSOLETE	$\triangle 5$ BULK	206358-3
$\triangle 6$	SUPERSEDED BY 206358-6	$\triangle 5$ BULK	206358-2
$\triangle 6$	SUPERSEDED BY 206358-5	INDIVIDUAL	206358-1
		PACKAGING	PART NUMBER

THIS DRAWING IS A CONTROLLED DOCUMENT.		DWN	4/23/91		STE TE Connectivity		
		CHK	7-23-92				
		W.G.LENKER			NAME		
		-			CABLE CLAMP KIT, LARGE, SHELL SIZE 11, CPC		
DIMENSIONS: INCHES		TOLERANCES UNLESS OTHERWISE SPECIFIED:			PRODUCT SPEC		
		0 PLC	± -		108-10024		
		1 PLC	± -		APPLICATION SPEC		
		2 PLC	± -		-		
		3 PLC	± -		-		
		4 PLC	± -		SIZE		
		ANGLES	± -		CAGE CODE		
		FINISH	-		DRAWING NO		
MATERIAL		THERMOPLASTIC			RESTRICTED TO		
		-			A3 00779 C-206358		
CUSTOMER DRAWING				SCALE	SHEET		REV
				NTS	1 OF 1		N1