



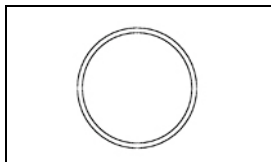
Have a Question?
Chat with a Product
Information Specialist

What can we help you find?

[Products](#) [Industries](#) [Resources](#) [About TE](#) [My Account](#) [Innovation](#) [Support Center](#)

206403-1 Product Details

[Share](#) [Print](#) [Email](#)



206403-1

TE Internal Number: 206403-1

[Active](#)

[View 3D PDF](#)

CPC Accessories

Always EU RoHS/ELV Compliant (Statement of Compliance)

Product Highlights:

- Accessory Type = Peripheral Seal
- Shell Size = 11
- RoHS compliant, ELV compliant
- Lead Free Solder Processes = Not relevant for lead free process

[View all Features](#)

Quick Links

- ▶ [Pricing & Availability](#)
- ▶ [Search for Tooling](#)
- ▶ [Product Feature Selector](#)
- ▶ [Contact Us About This Product](#)

[Add to My Part List](#) [Request Sample](#) [Find Similar Products](#) [Buy Product](#)

Documentation & Additional Information	
<p>Product Drawings:</p> <ul style="list-style-type: none"> • SEAL, PERIPHERAL, CPC (PDF, English) <p>Catalog Pages/Data Sheets:</p> <ul style="list-style-type: none"> • None Available <p>Product Specifications:</p> <ul style="list-style-type: none"> • None Available <p>Application Specifications:</p> <ul style="list-style-type: none"> • None Available <p>Instruction Sheets:</p> <ul style="list-style-type: none"> • Accessories for Circular Plastic Connectors (CPC) (PDF, English) <p>CAD Files: (CAD Format & Compression Information)</p> <ul style="list-style-type: none"> • 2D Drawing (DXF, Version K) • 3D Model (IGES, Version K) • 3D Model (STEP, Version K) <p style="text-align: right;">List all Documents</p>	<p>Additional Information:</p> <ul style="list-style-type: none"> • Product Line Information <p>Related Products:</p> <ul style="list-style-type: none"> • Tooling

Product Features (Please use the Product Drawing for all design activity)	
<p>Product Type Features:</p> <ul style="list-style-type: none"> • Accessory Type = Peripheral Seal • Shell Size = 11 <p>Mechanical Attachment:</p> <ul style="list-style-type: none"> • Sealing Gasket Material = Elastomer 	<p>Industry Standards:</p> <ul style="list-style-type: none"> • RoHS/ELV Compliance = RoHS compliant, ELV compliant • Lead Free Solder Processes = Not relevant for lead free process • RoHS/ELV Compliance History = Always was RoHS compliant <p>Other:</p> <ul style="list-style-type: none"> • Brand = AMP

Corporate Information

- [About TE](#)
- [Investors](#)
- [News Room](#)
- [Supplier Portal](#)
- [Careers](#)
- [Terms & Conditions](#)
- [Privacy Policy](#)

Quick Links

- [Distributor Inventory](#)
- [Product Cross Reference](#)
- [Documents & Drawings](#)
- [Product Compliance Support Center](#)
- [Site Map](#)

Customer Support

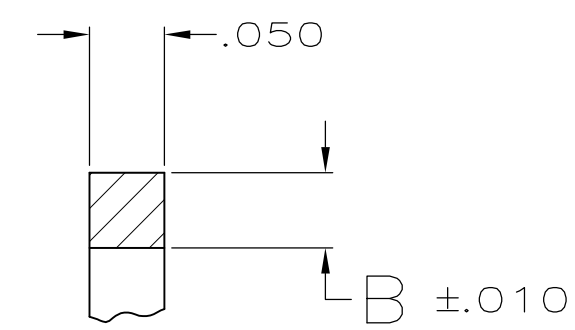
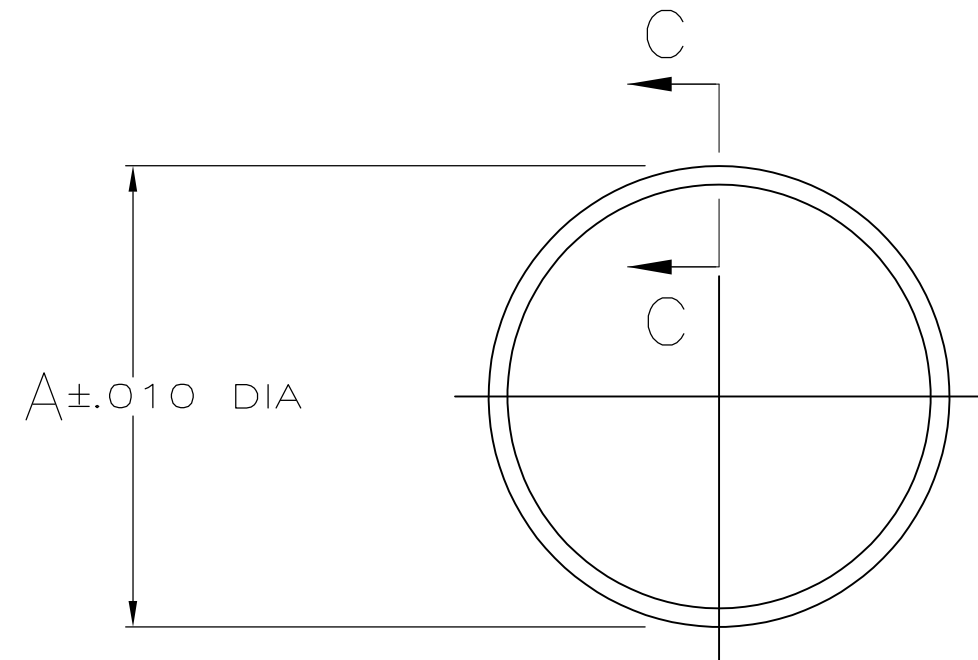
- [Email or Chat With Us](#)
- [Find a Phone Number](#)
- [Knowledge Base](#)
- [Manage Your Account](#)

Keep Me Informed




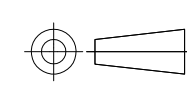
THIS DRAWING IS UNPUBLISHED. RELEASED FOR PUBLICATION
 © COPYRIGHT - By - ALL RIGHTS RESERVED.

LOC	DIST	REVISIONS			
P	LTR	DESCRIPTION	DATE	DWN	APVD
FT	4	K1	REVISED PER ECO-11-004587	11MAR11	RK HMR



SECTION C-C
SCALE 8:1

1.262	.050	32	206403-5
.650	.041	13	206403-4
1.230	.050	23	206403-3
.875	.050	17	206403-2
.514	.041	11	206403-1
A	B	SHELL SIZE	PART NUMBER

THIS DRAWING IS A CONTROLLED DOCUMENT.		DWN S.RIDGLEY BG 7/24/90	 TE Connectivity	
DIMENSIONS: INCHES		CHK J McCLINTON 2-13-91		
		APVD K BEAVER 2-14-91	NAME SEAL, PERIPHERAL, CPC	
TOLERANCES UNLESS OTHERWISE SPECIFIED:		PRODUCT SPEC	RESTRICTED TO	
0 PLC ± - 1 PLC ± - 2 PLC ± - 3 PLC ± .005 4 PLC ± - ANGLES ± -		APPLICATION SPEC	SIZE A3	CAGE CODE 00779
MATERIAL ELASTOMER, GRAY		FINISH -	DRAWING NO C-206403	SCALE 2:1
		WEIGHT -	SHEET 1 OF 1	REV K1
		CUSTOMER DRAWING		