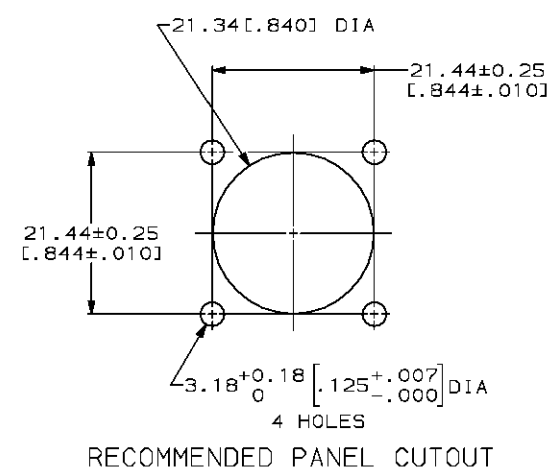
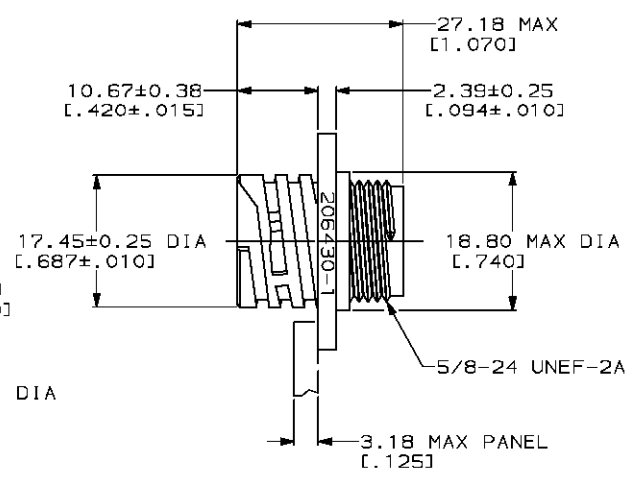
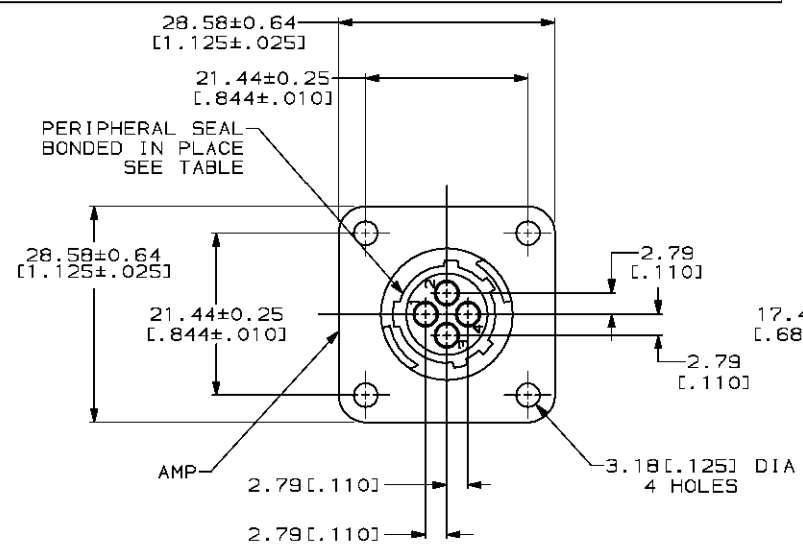
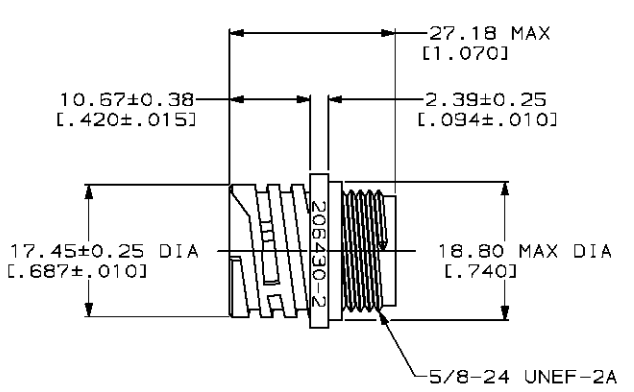
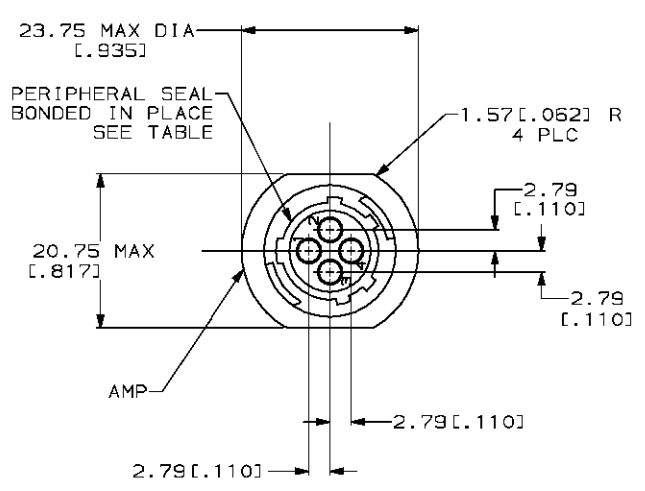


MOD		LOC		DIST		P		F		REVISIONS		DATE	APPD
ZONE	LTR	DESCRIPTION											
		F		REDRAWN ON CAD & ADDED -5 NPR 4832		07/08/93	-						
		G		REACTIVATE -3,-4 PER EC 0020-1075-94		12/05/94	AF						



DETAIL A



DETAIL B

SMALL PACK	NO	A	206430-5
STANDARD	YES	B	206430-4
STANDARD	YES	A	206430-3
STANDARD	NO	B	206430-2
STANDARD	NO	A	206430-1
PACKAGING	PERIPHERAL SEAL	SEE DETAIL	PART NO

1. CAVITY IDENTIFICATION ON FRONT AND REAR FACE.  
2. WILL ACCEPT FOUR (4) MULTIMATE SOCKET CONTACTS.

DO NOT SCALE PRINT. UNLESS SPECIFIED DIMENSIONS IN mm [INCHES] TOLERANCES ON:  
2 PLC DEC ± 0.13 [0.005]  
3 PLC DEC ± -  
ANGLES ± -

MATERIAL  
NYLON, BLACK

FINISH  
-

DR 09/09/92  
W.LENKER  
CHK 08/11/93  
R.STONE  
APPD 08/13/93  
A.FRANTUM  
APPD 08/13/93  
A.FRANTUM  
PRODUCT SPEC  
108-10024  
APPLICATION SPEC  
-  
WEIGHT  
-

AMP Incorporated  
Harrisburg, PA 17105-3608

NAME  
RECEPTACLE HOUSING, REVERSE SEX, SHELL SIZE 11, CPC

SIZE  
C 00779

CAGE CODE  
C=206430

DRAWING NO  
C=206430

SCALE  
2:1

SHEET  
1 OF 1

THIS DRAWING IS A CONTROLLED DOCUMENT FOR AMP INCORPORATED. IT IS SUBJECT TO CHANGE AND THE CONTROLLING ENGINEERING ORGANIZATION SHOULD BE CONTACTED FOR THE LATEST REVISION.