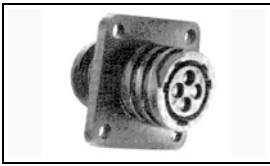


206430-3 Product Details

[Share](#) [Print](#) [Email](#)



206430-3

TE Internal Number: 206430-3
✔ Active

[View 3D PDF](#)

CPC (Circular Plastic) and Circular Metal-Shell Connectors

✔ Always EU RoHS/ELV Compliant (Statement of Compliance)

Product Highlights:

- Housing
- Connector Style = Receptacle
- 4 Positions
- 4 Signal Positions
- 0 Power Positions

[View all Features](#)

Quick Links

- ▶ [Pricing & Availability](#)
- ▶ [Search for Tooling](#)
- ▶ [View Mating Products \(1\)](#)
- ▶ [Product Feature Selector](#)
- ▶ [Contact Us About This Product](#)

[Add to My Part List](#) [Request Sample](#) [Find Similar Products](#) [Buy Product](#)

Documentation & Additional Information

Product Drawings:

- [RECEPTACLE HOUSING, REVERSE SEX, SHELL SIZE 11, CPC \(PDF, English\)](#)

Catalog Pages/Data Sheets:

- [AMP Circular Connectors for Commercial Signal & Powe... \(PDF, English\)](#)

Product Specifications:

- None Available

Application Specifications:

- [Circular Plastic Connectors \(CPC\) \(PDF, English\)](#)

Instruction Sheets:

- None Available

CAD Files: ([CAD Format & Compression Information](#))

- [2D Drawing \(DXF, Version AA\)](#)
- [3D Model \(IGES, Version AA\)](#)
- [3D Model \(STEP, Version AA\)](#)

[List all Documents](#)

Additional Product Images:

- [Contact Arrangement](#)

Related Products:

- [Tooling](#)
- [Mating Products \(1\)](#)

Product Features (Please use the Product Drawing for all design activity)

Product Type Features:

- Connector Type = Housing
- Mount Angle = Straight
- Shell Size = 11
- PCB Mount Retention = Without
- Shell Type = All Plastic
- Product Series = Series 1
- Thread Size = 5/8 - 24 UNEF-2A
- Sealed = Yes

Mechanical Attachment:

- Mount = Panel
- Mating Retention Type = Threaded Coupling

Termination Features:

- Seal Type = Peripheral

Body Features:

- Mount Style = Flange with Mounting Holes

Contact Features:

- Contact Type = Socket
- Reverse Gender = Reverse

Housing Features:

- Connector Style = Receptacle
- Mating Alignment Type = Keyed
- Housing Material = Thermoplastic - GF
- Housing Color = Black
- UL Flammability Rating = UL 94V-0

Configuration Features:

- Number of Positions = 4
- Number of Signal Positions = 4
- Number of Power Positions = 0
- Environmental Protection = With
- Reverse Numbering = Without

Industry Standards:

- VDE Tested = No
- RoHS/ELV Compliance = RoHS compliant, ELV compliant
- Lead Free Solder Processes = Not relevant for lead free process
- RoHS/ELV Compliance History = Always was RoHS compliant

Identification Marking:

- Keying = A

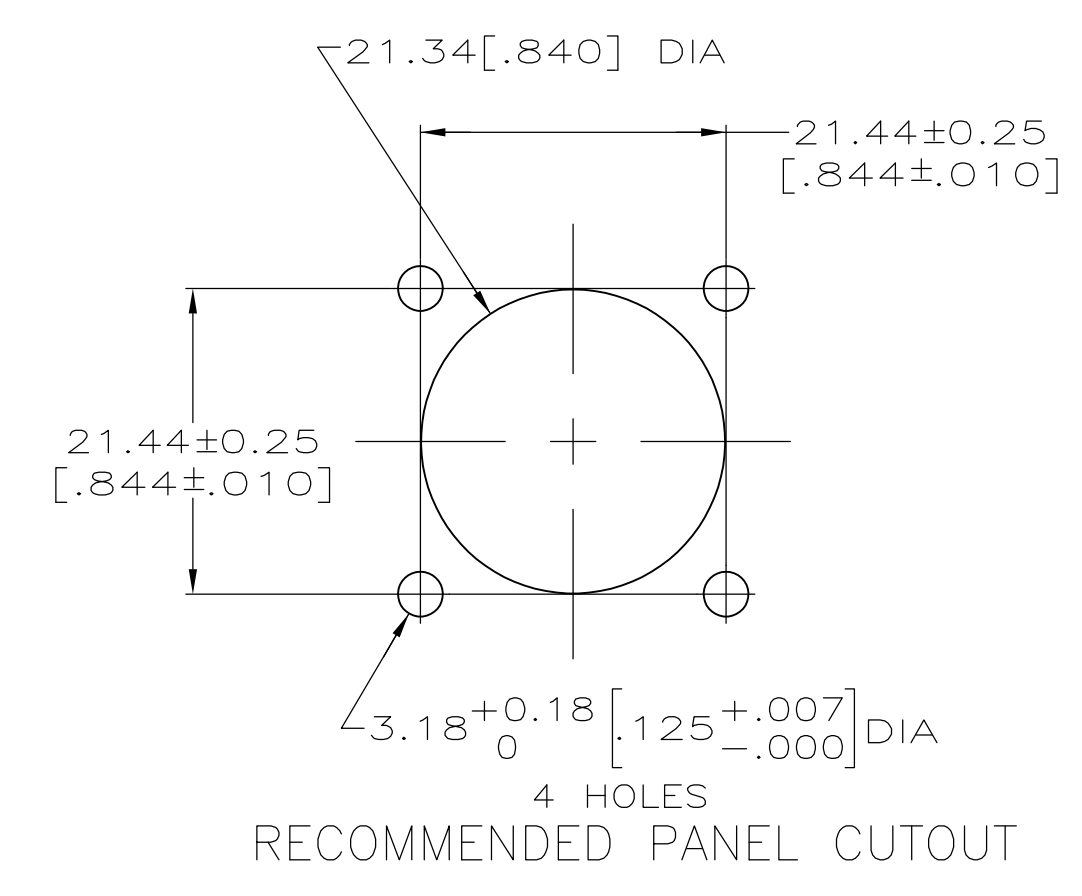
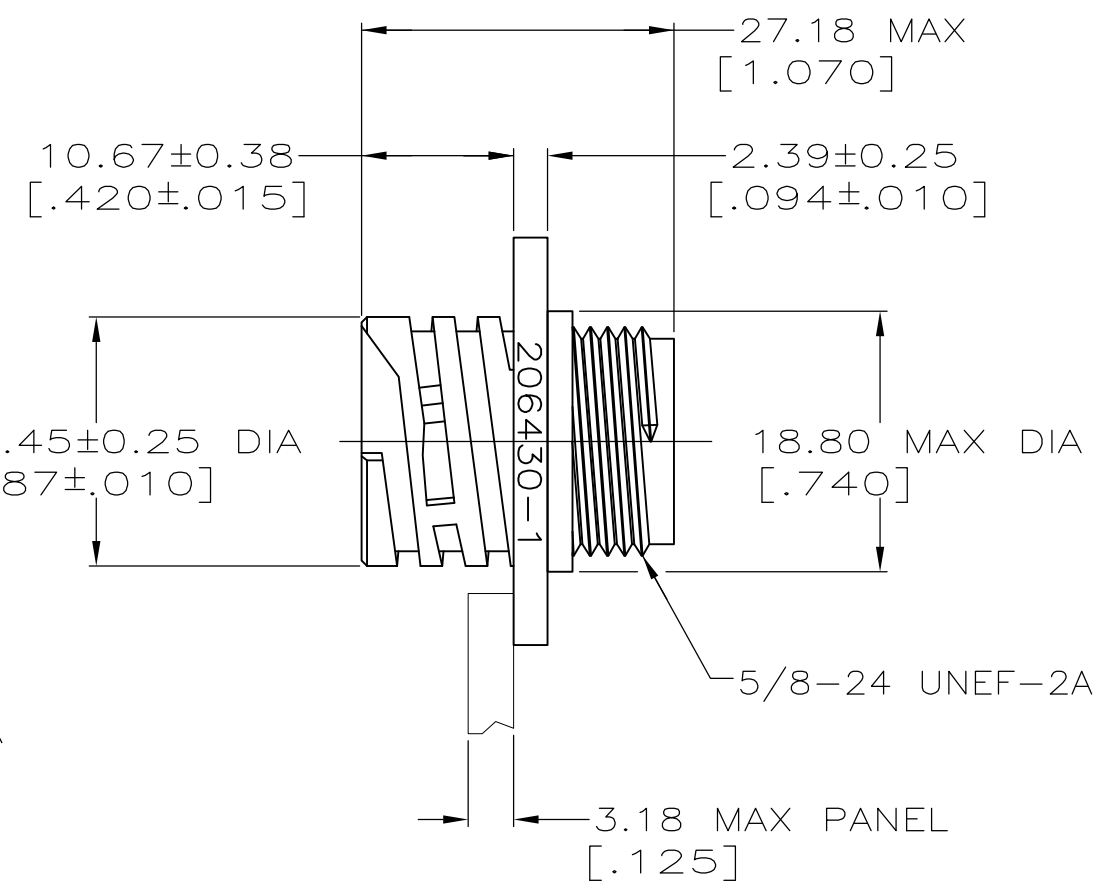
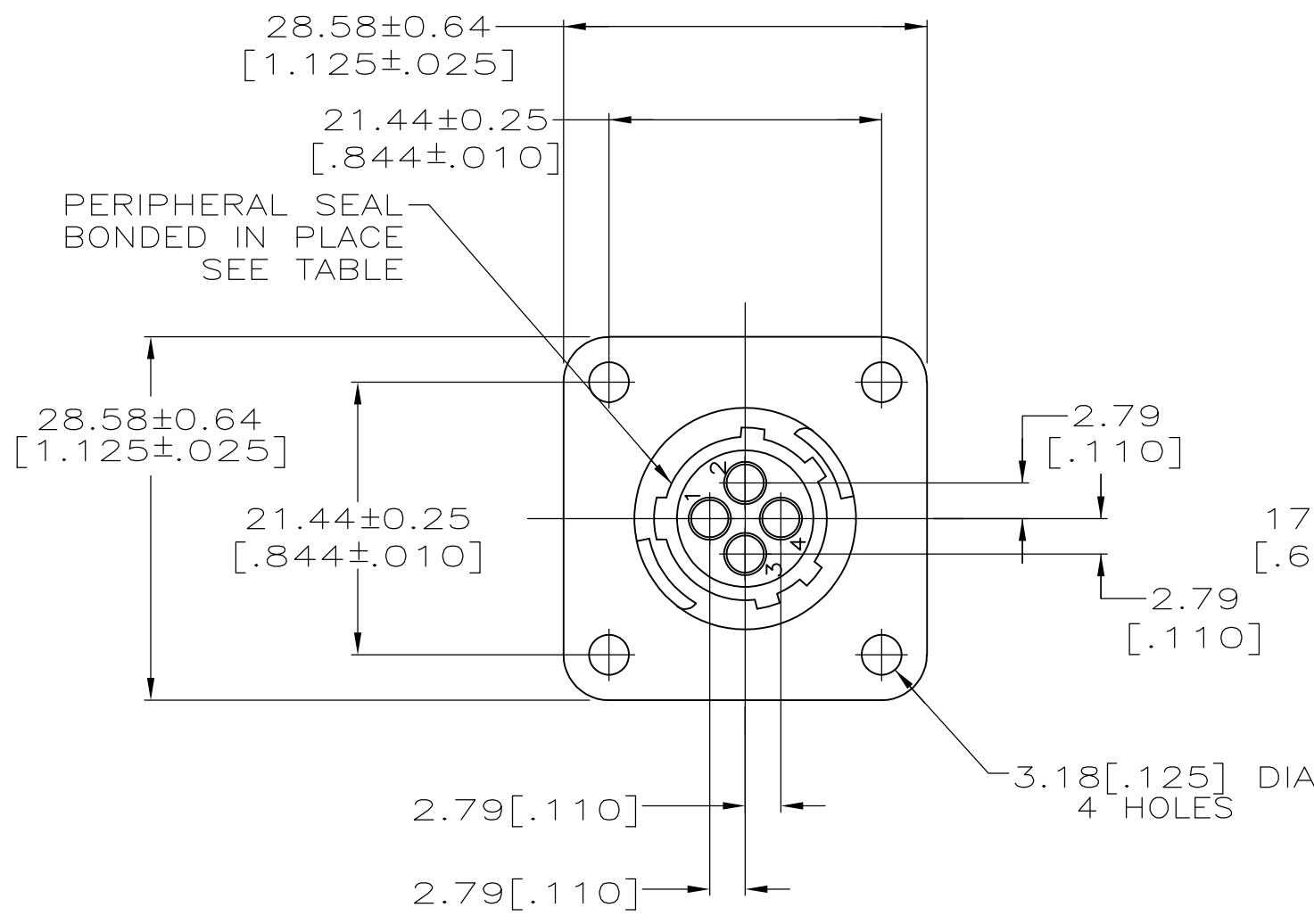
Environmental:

- Fluid Resistance = Immersion

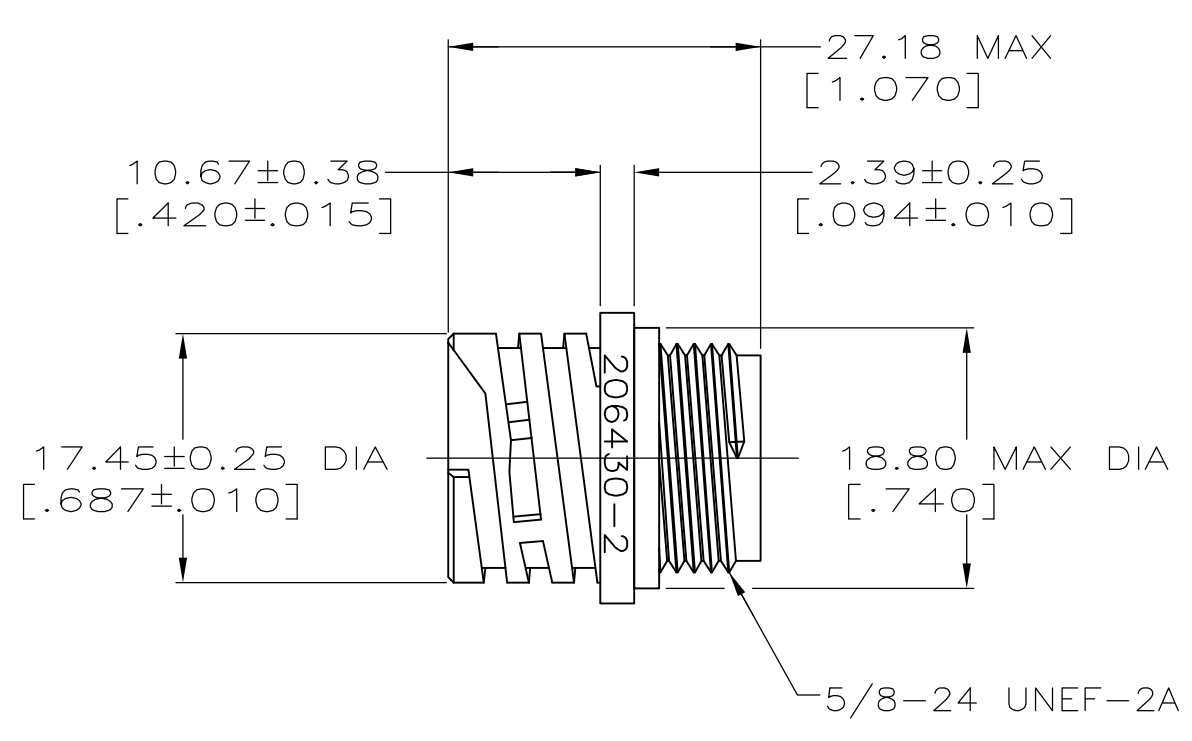
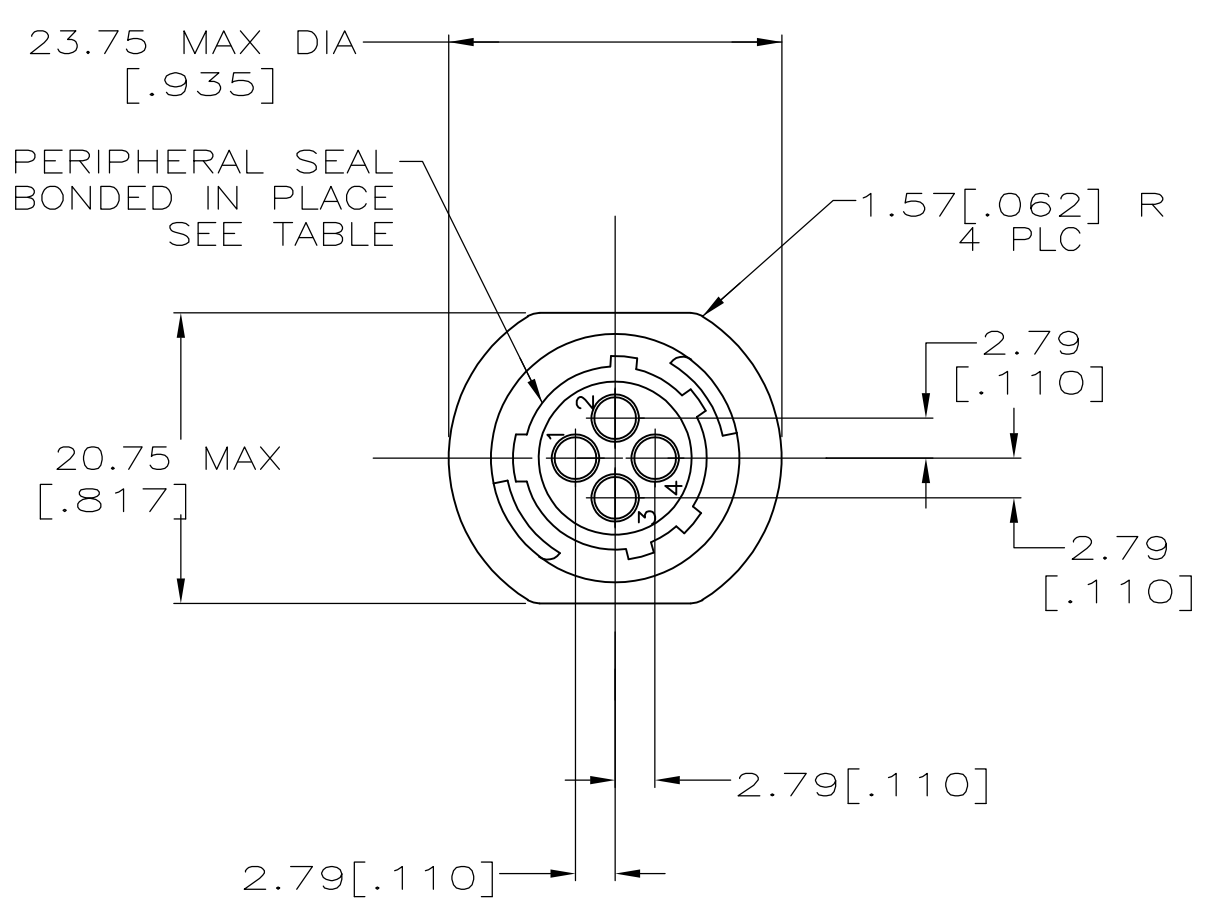
Other:

- Brand = AMP

MOD	LOC	DIST	REVISIONS					
4	BD	35	P	LTR	DESCRIPTION	DATE	OWN	APVD
			H		REVISED PER ECO-12-015521	28SEP12	KH	MZ



DETAIL A



DETAIL B

SMALL PACK	NO	A	206430-5
STANDARD	YES	B	206430-4
STANDARD	YES	A	206430-3
STANDARD	NO	B	206430-2
STANDARD	NO	A	206430-1
PACKAGING	PERIPHERAL SEAL	SEE DETAIL	PART NO

- CAVITY IDENTIFICATION ON FRONT AND REAR FACE.
- WILL ACCEPT FOUR (4) MULTIMATE SOCKET CONTACTS.

THIS DRAWING IS A CONTROLLED DOCUMENT.

DWN	W.LENKER	09/09/92	TE Connectivity						
CHK	R.STONE	08/11/93							
APVD	A.FRANTUM	08/13/93							
NAME	RECEPTACLE HOUSING, REVERSE SEX, SHELL SIZE 11, CPC								
PRODUCT SPEC	108-10024		SIZE	CAGE CODE	DRAWING NO	RESTRICTED TO			
APPLICATION SPEC	-		A2	00779	G-206430	-			
MATERIAL	NYLON, BLACK	FINISH	-	WEIGHT	-	CUSTOMER DRAWING	SCALE 2:1	SHEET 1 OF 1	REV H