

Distributed by:

JAMECO[®]
ELECTRONICS

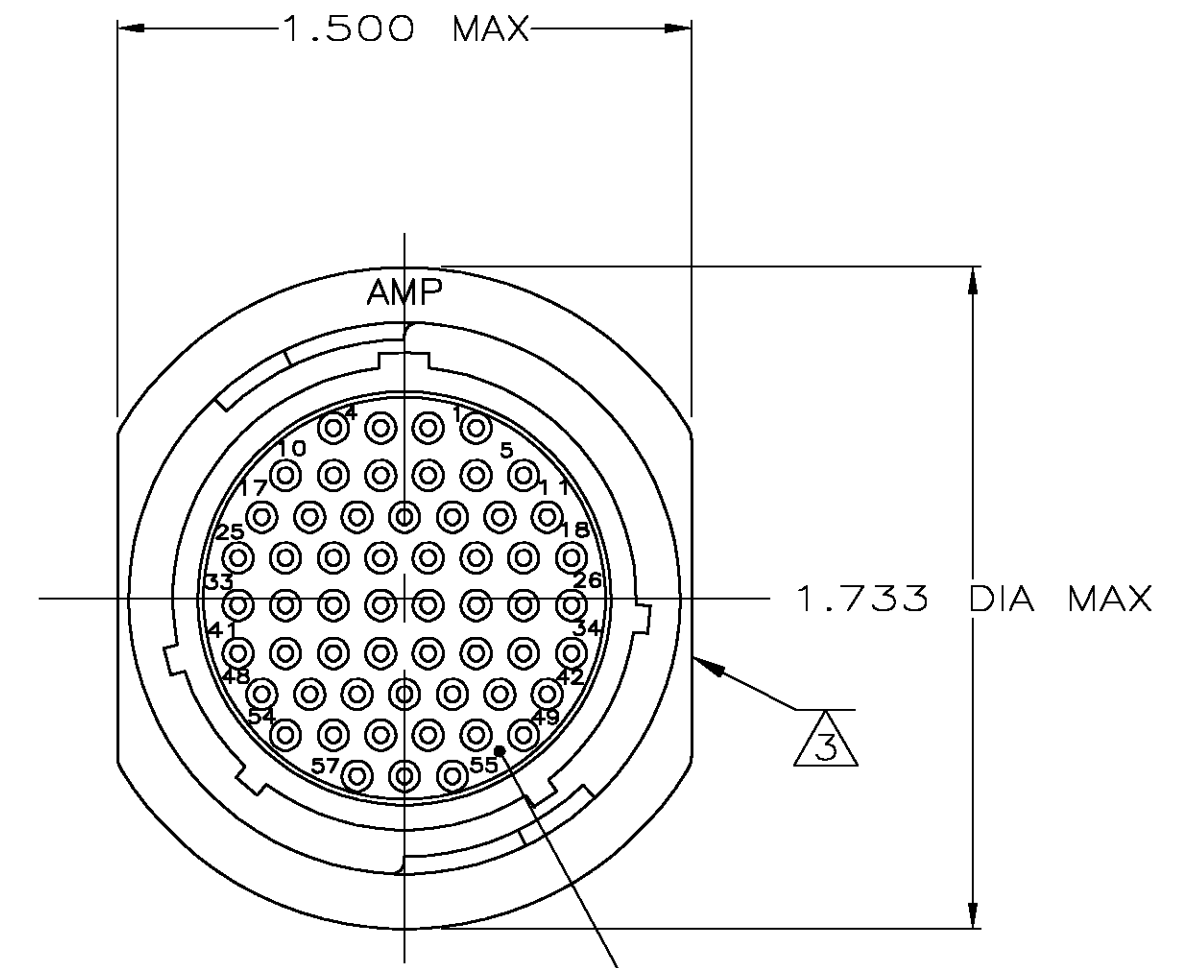
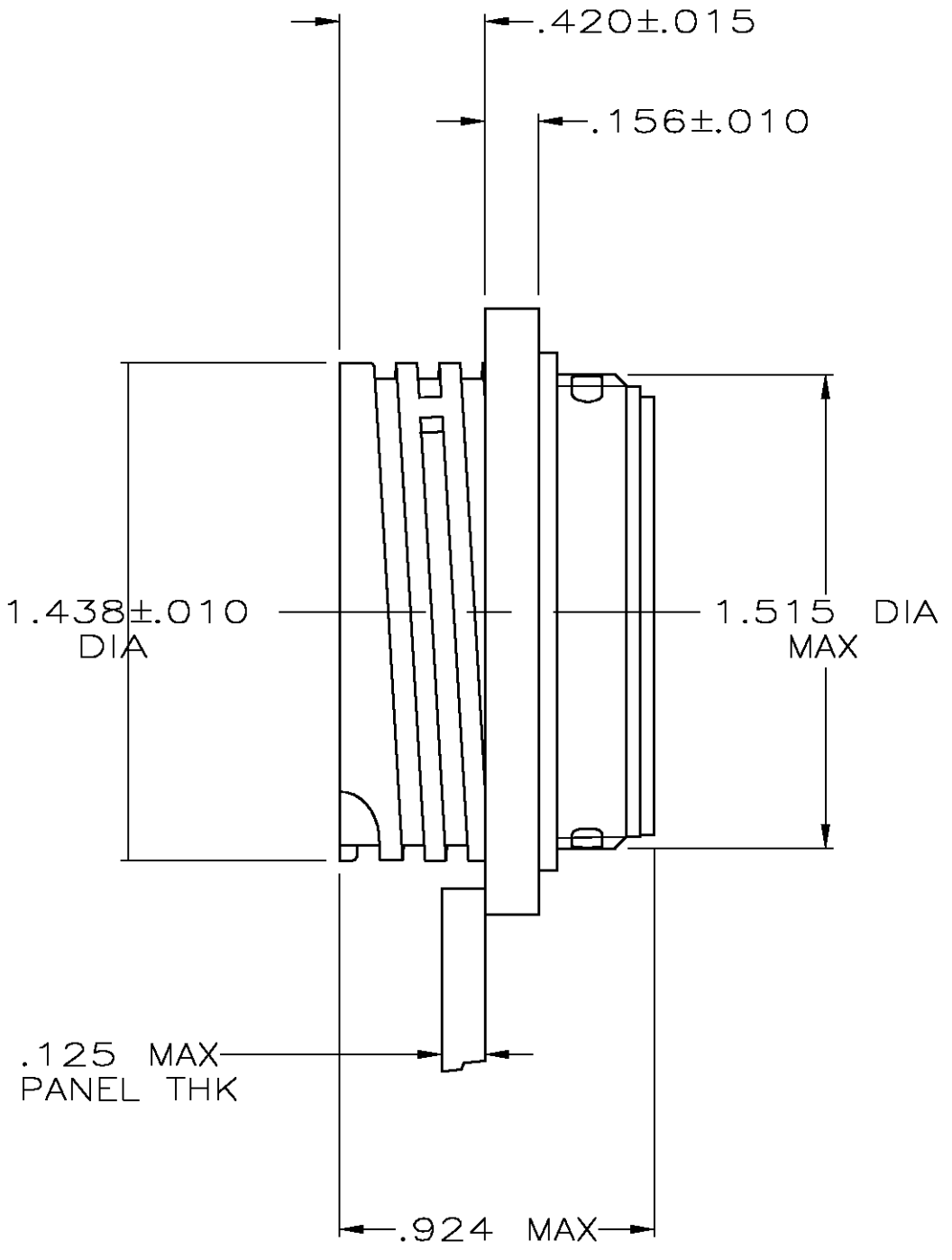
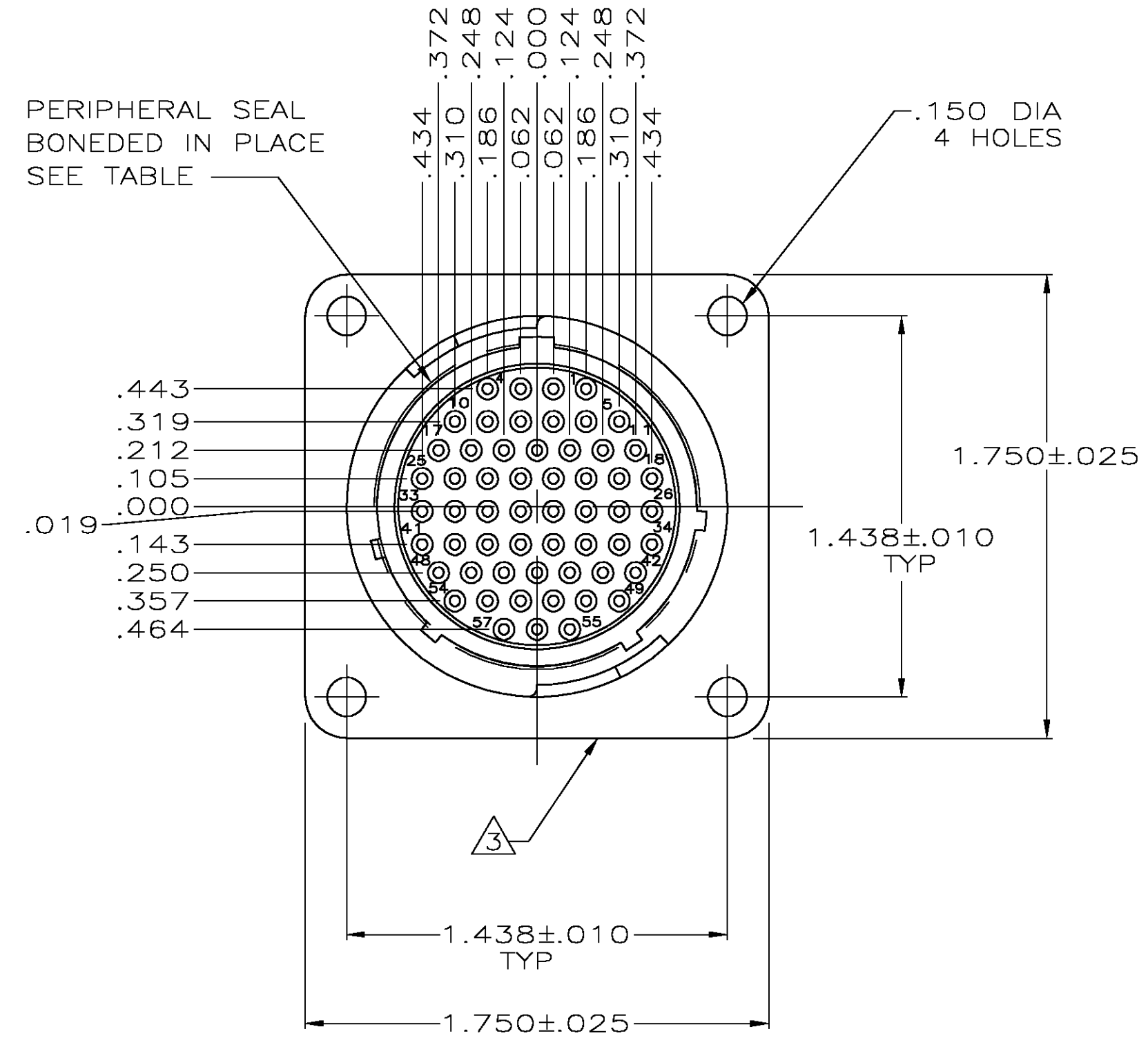
www.Jameco.com ♦ 1-800-831-4242

The content and copyrights of the attached
material are the property of its owner.

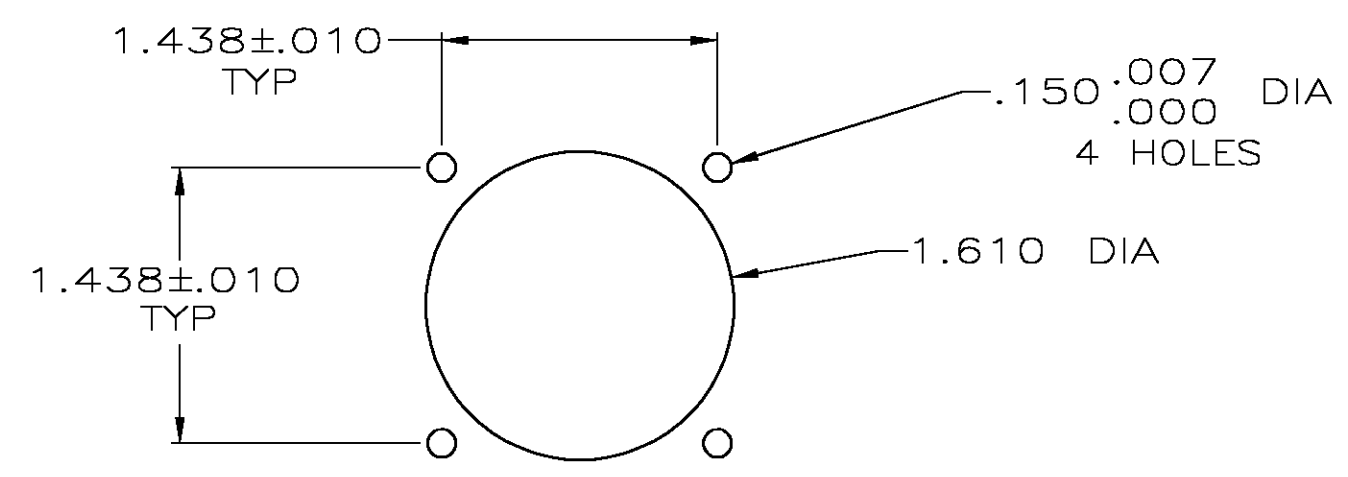
Jameco Part Number 495488

THIS DRAWING IS UNPUBLISHED. RELEASED FOR PUBLICATION
 © COPYRIGHT BY TYCO ELECTRONICS CORPORATION. ALL RIGHTS RESERVED.

LOC	DIST	REVISIONS					
FT	0	P	LTR	DESCRIPTION	DATE	DWN	APVD
		K		REVISE PER OG3B-0582-03	7/29/03	SS	SH



FREE HANGING
(-2 ONLY)



PANEL CUTOUT
SCALE 1:1

- NOTES:
- CONTACT CAVITIES IDENTIFIED BY CHARACTERS ON FRONT AND REAR FACES OF CONNECTOR.
 - WILL ACCEPT (57) SIZE 20 SOCKET CONTACTS.
 - PART NUMBER THIS AREA.
 - #4 FASTENER RECOMMENDED FOR MOUNTING.

YES	206438-3
NO	206438-2
NO	206438-1
PERIPHERAL SEAL	PART NUMBER

THIS DRAWING IS A CONTROLLED DOCUMENT.		DWN	4/3/91	Tyco Electronics Corporation	
		CHK	7-27-92	Harrisburg, PA 17105	
		APVD	-	NAME	
DIMENSIONS: INCHES		TOLERANCES UNLESS OTHERWISE SPECIFIED:		PRODUCT SPEC	
		0 PLC ± -		108-10024	
		1 PLC ± -		APPLICATION SPEC	
		2 PLC ± -		SIZE	
		3 PLC ± .005		A2	
		4 PLC ± -		CAGE CODE	
		ANGLES ± -		00779	
MATERIAL THERMOPLASTIC,		FINISH -		DRAWING NO	
				C=206438	
		WEIGHT -		RESTRICTED TO	
		CUSTOMER DRAWING		-	
		SCALE 2:1		SHEET 1 OF 1	
				REV K	

206438