

Distributed by:

JAMECO[®]
ELECTRONICS

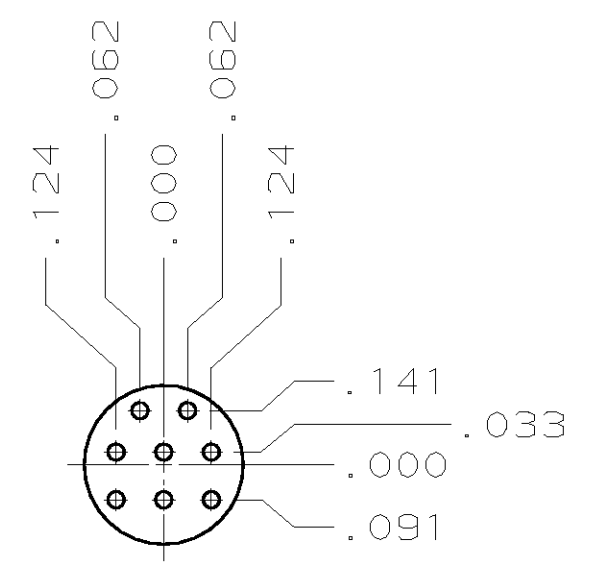
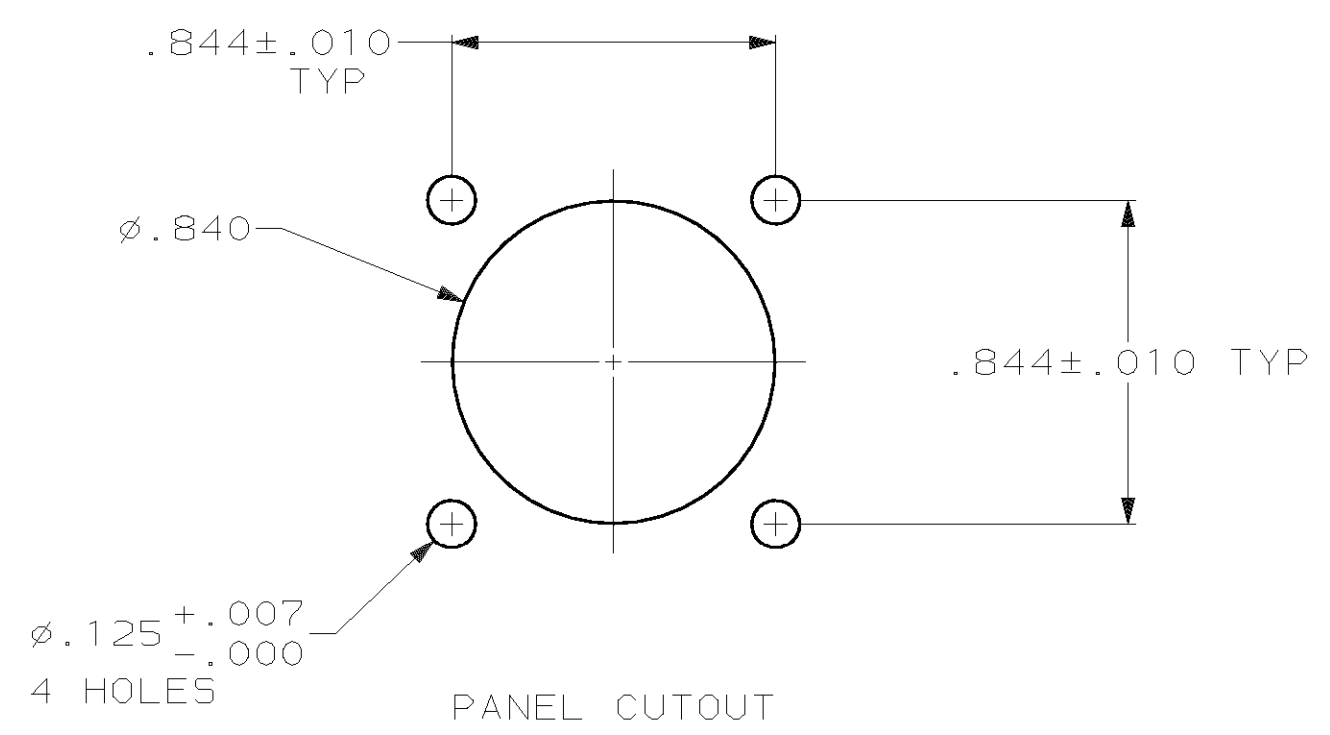
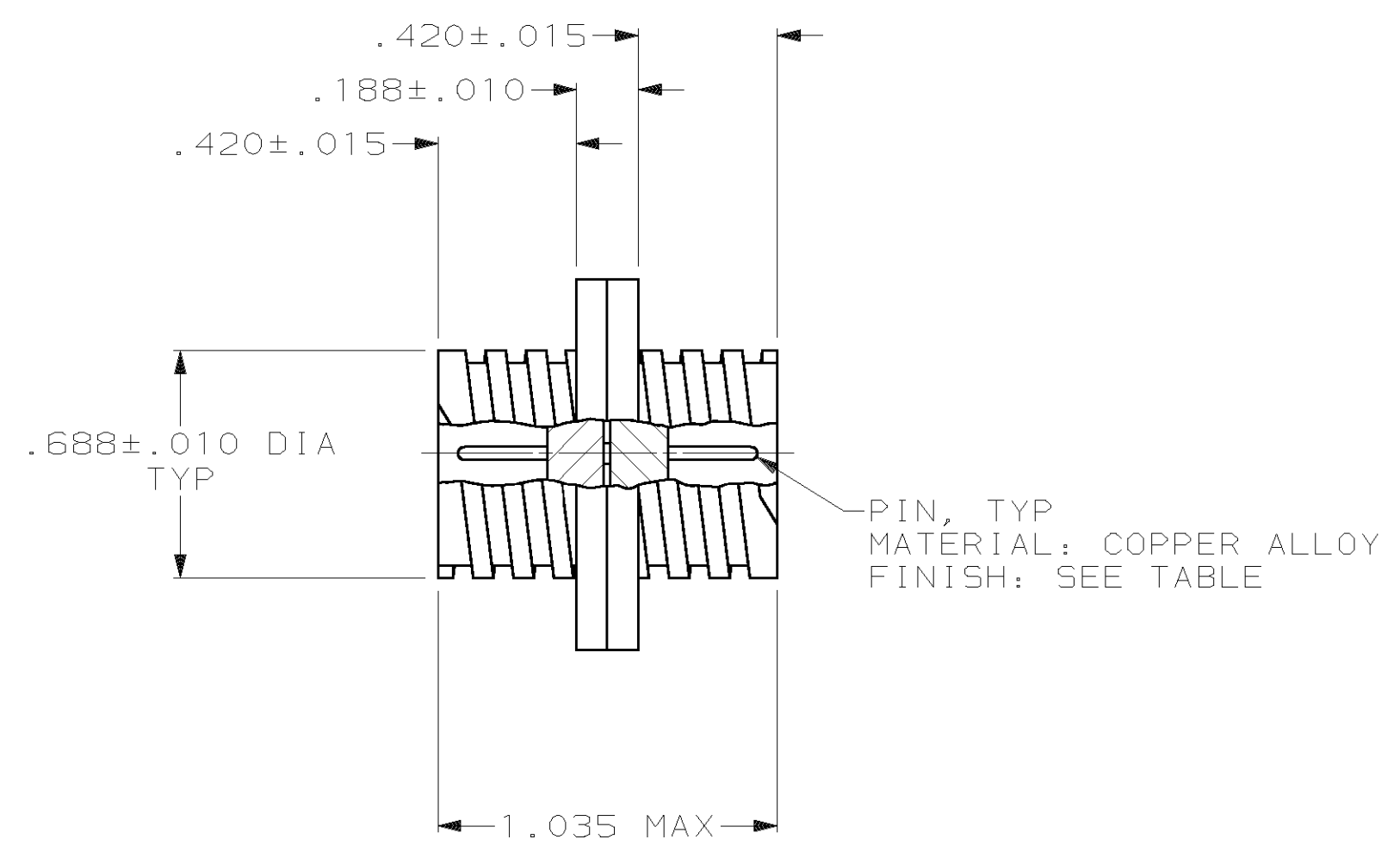
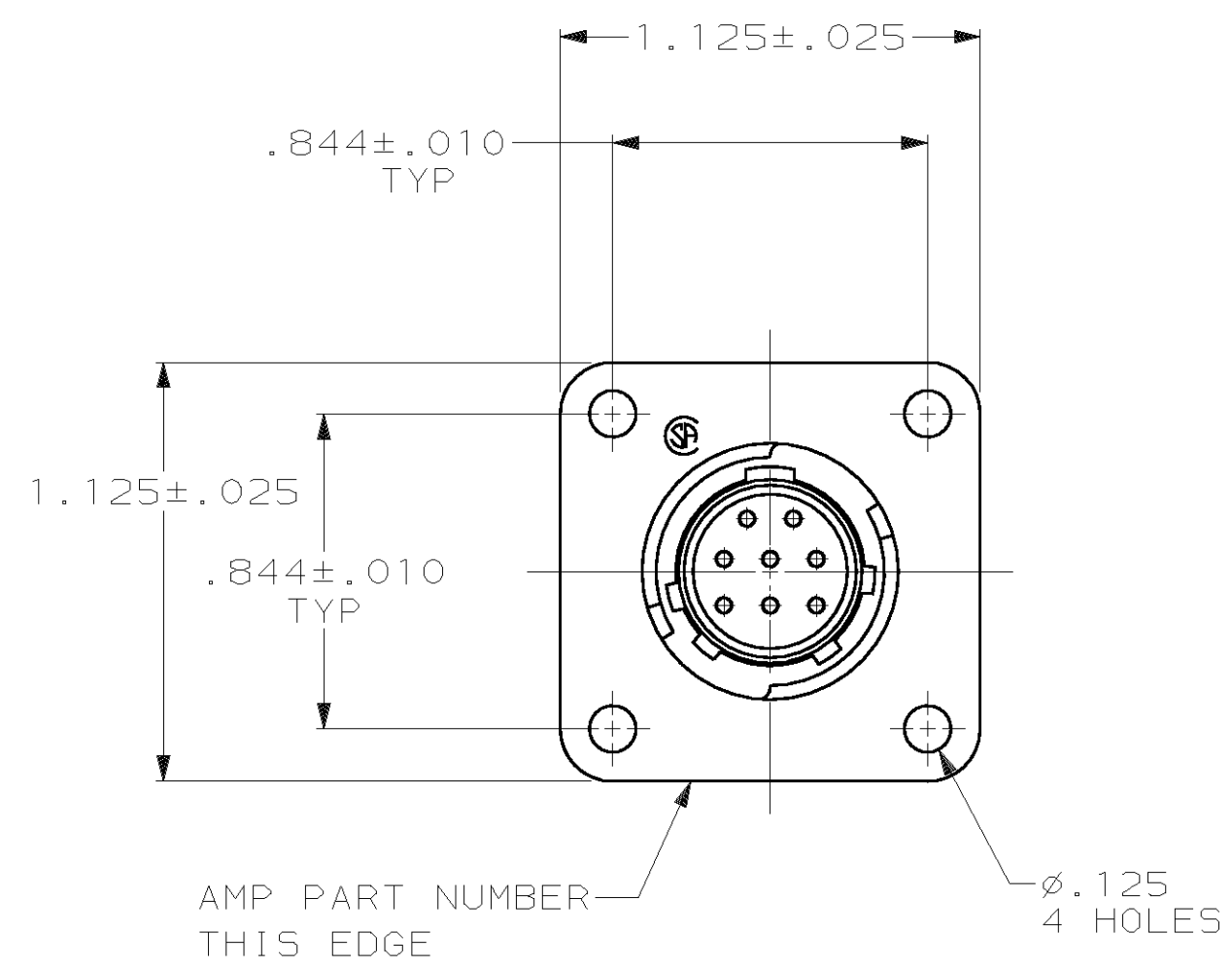
www.Jameco.com ♦ 1-800-831-4242

The content and copyrights of the attached
material are the property of its owner.

Jameco Part Number 913580

THIS DRAWING IS UNPUBLISHED. RELEASED FOR PUBLICATION
 © COPYRIGHT 19 BY AMP INCORPORATED. ALL INTERNATIONAL RIGHTS RESERVED.

LOC		DIST		P		F		ZONE		LTR		REVISIONS	
DESCRIPTION		DATE		APPD									
FT	0									E	REVISE PER ECN 063B-0261-00	13JUL00	SU/MC



- 1 GOLD PER MIL-G-45204 OVER NICKEL PER QQ-N-290.
- 2 TIN PER MIL-T-10727.
- 3 ACCOMODATES 8 SIZE 20 PIN CONTACTS, PERMANENTLY INSTALLED.

OBSOLETE	2	206458-2
	1	206458-1
CONTACT FINISH		PART NUMBER

DO NOT SCALE PRINT. UNLESS SPECIFIED DIMENSIONS IN INCHES TOLERANCES ON:		DR 5-21-91 J GALLUCCI B6		AMP Incorporated Harrisburg, PA 17105-3608	
2 PLC DEC ± -		CHK 4-13-92 W.G.LENKER			
3 PLC DEC ± .005		APPD 4-13-92 K.BEAVER		NAME RECEPTACLE ASSEMBLY, FEED THRU, SERIES 2, 11-8, CPC	
ANGLES ± -		APPD 4-13-92 C.ROHDE			
MATERIAL		PRODUCT SPEC		SIZE	
RCPT: THERMOPLASTIC COLOR: BLACK		108-10024		CAGE CODE	
FINISH		APPLICATION SPEC		DRAWING NO	
SEE TABLE		-		206458	
		WEIGHT		SCALE	
		-		2:1	
				SHEET	
				1 OF 1	