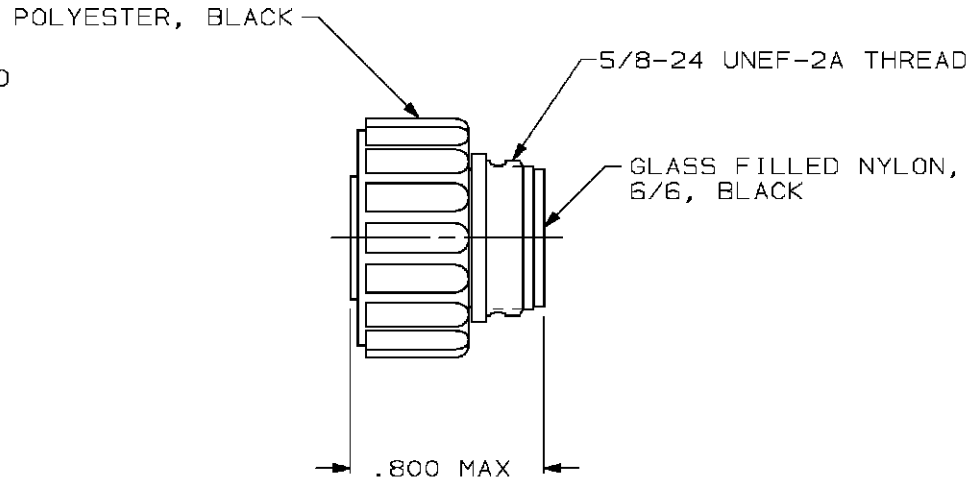
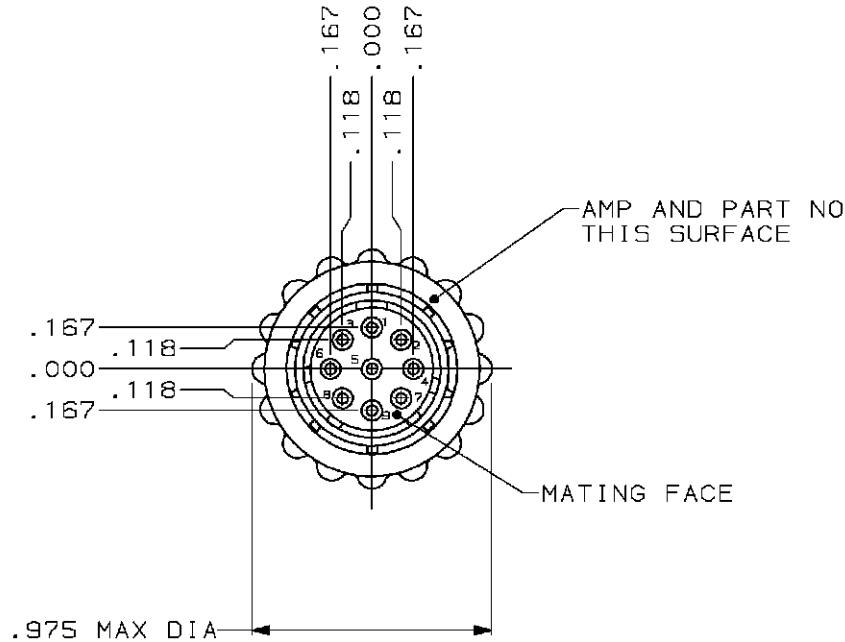


DRAWING MADE IN THIRD ANGLE PROJECTION

THIS DRAWING IS UNPUBLISHED. RELEASED FOR PUBLICATION
 © COPYRIGHT 19 BY AMP INCORPORATED. ALL INTERNATIONAL RIGHTS RESERVED.

LOC	DIST	P	F	ZONE	LTR	REVISIONS	DATE	APPD
FT	4				D	REDRAWN	4/8/91	KB
					D1	ADDED -2 NPR 4832	07/06/93	AF
					E	REV PER EC 0020-568-95	18 JUL 95	AF
					F	REV PER EC 0320-244-97	07 OCT 97	KD



SMALL PACK	206485-2
STANDARD	206485-1
PACKAGING	PART NUMBER

- CONTACT CAVITIES IDENTIFIED BY CHARACTERS ON FRONT AND REAR FACES OF CONNECTOR.
- WILL ACCEPT (9) SIZE 20 SOCKET CONTACTS.

DO NOT SCALE PRINT. UNLESS SPECIFIED DIMENSIONS IN INCHES TOLERANCES ON: 2 PLC DEC ± - 3 PLC DEC ± .005 ANGLES ± -	DR 4/8/91 A. STAUB B6	AMP AMP Incorporated Harrisburg, PA 17105-3608
	CHK 7-23-92 W.G. LENKER	
MATERIAL SEE CALLOUTS	APPD 7-23-92 K. BEAVER	NAME PLUG ASSEMBLY, STD SEX, SERIES 2, 11-9, CPC
	APPD 7-23-92 C. RHODE	SIZE B
FINISH -	PRODUCT SPEC 108-10024	CAGE CODE 00779
	APPLICATION SPEC -	DRAWING NO 206485
WEIGHT -	SCALE 2:1	SHEET 1 OF 1