

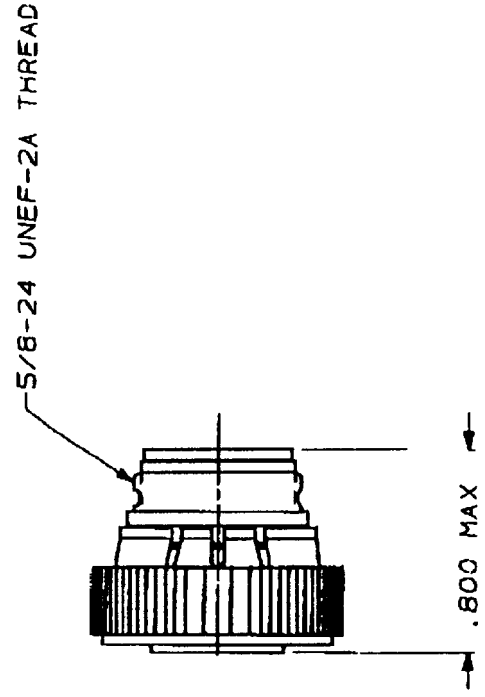
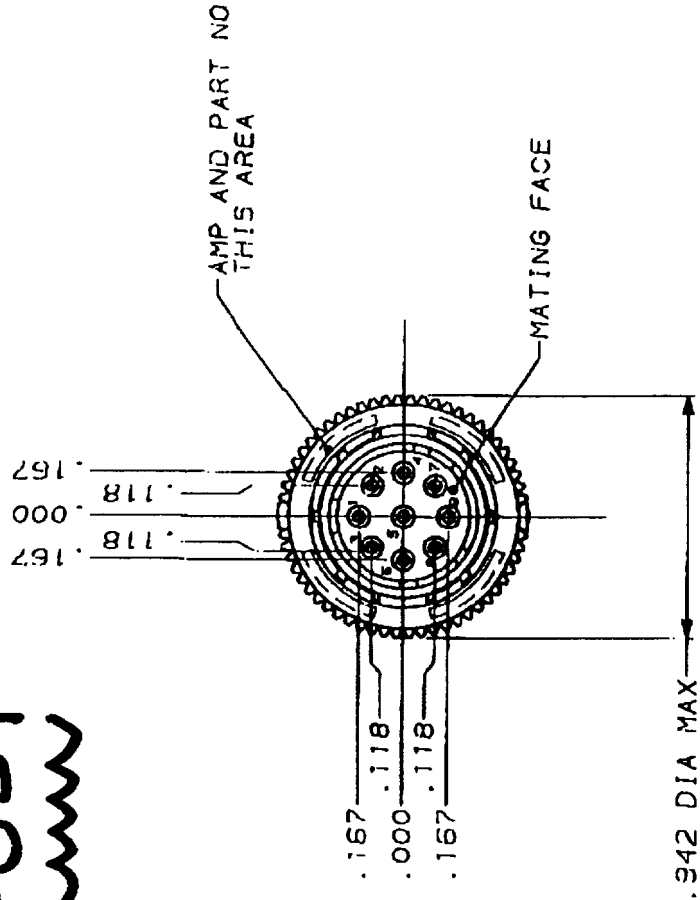
THIS DRAWING IS UNPUBLISHED. RELEASED FOR PUBLICATION
 BY AMP INCORPORATED. ALL INTERNATIONAL RIGHTS RESERVED.

593-059

PROJ LOC DIST
 4 80 35

REVISONS
 DESCRIPTION DATE APPD

ZONE	LTR	DATE	APPD
	D	4/8/91	KB
	D1	07/08/99	AF
D1 ACDED -2 NPR 4832			



SMALL PACK	206485-2
STANDARD	206485-1
PACKAGING	PART NUMBER

- CONTACT CAVITIES IDENTIFIED BY CHARACTERS ON FRONT AND REAR FACES OF CONNECTOR.
- WILL ACCEPT (9) SIZE 20 SOCKET CONTACTS.

DR 4/2/91	AMP Incorporated
CHK 7-23-90	Morrisburg, PA 17105-3608
APPD 7-23-90	NAME
APPD 7-23-90	PLUG ASSEMBLY, STD SEX, SERIES 2, 11-9, CPC
PRODUCT SPEC	SIZE
108-10024	B
APPLICATION SPEC	CAGE CODE
	00779
FINISH	DRAWING NO
	206485
WEIGHT -	SCALE
	2:1
	SHEET
	1 OF 1

CUSTOMER DRAWING

13,11,27 1506 / phone / 5625 / dt 4023 / 593-059 / 7-90-4832