



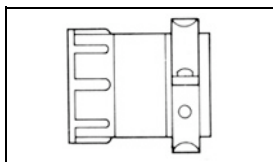
Have a Question?
Chat with a Product
Information Specialist

What can we help you find?

[Products](#) [Industries](#) [Resources](#) [About TE](#) [My Account](#) [Innovation](#) [Support Center](#)

206512-5 Product Details

[Share](#) [Print](#) [Email](#)



206512-5

TE Internal Number: 206512-5

Active

[View 3D PDF](#)

CPC Accessories

Always EU RoHS/ELV Compliant (Statement of Compliance)

Product Highlights:

- Accessory Type = Cable Clamp
- Shell Size = 23
- Body Style = Straight
- Cable Diameter (Max.) = 28.58 mm
- Thermoplastic Cable Clamp Material

[View all Features](#)

Quick Links

- ▶ [Pricing & Availability](#)
- ▶ [Search for Tooling](#)
- ▶ [Product Feature Selector](#)
- ▶ [Contact Us About This Product](#)

[Add to My Part List](#) [Request Sample](#) [Find Similar Products](#) [Buy Product](#)

Documentation & Additional Information

Product Drawings:

- [CABLE CLAMP KIT, LARGE, SHELL SIZE 23, CPC](#) (PDF, English)

Catalog Pages/Data Sheets:

- [AMP Circular Connectors for Commercial Signal & Powe...](#) (PDF, English)

Product Specifications:

- None Available

Application Specifications:

- None Available

Instruction Sheets:

- None Available

CAD Files: [\(CAD Format & Compression Information\)](#)

- [2D Drawing](#) (DXF, Version K)
- [3D Model](#) (IGES, Version K)
- [3D Model](#) (STEP, Version K)

[List all Documents](#)

Additional Information:

- [Product Line Information](#)

Additional Product Images:

- [Product Usage](#)
- [Product Usage](#)
- [Product Usage](#)

Related Products:

- [Tooling](#)

Product Features (Please use the Product Drawing for all design activity)

Product Type Features:

- Accessory Type = Cable Clamp
- Shell Size = 23
- Thread Size = 1-3/8-18

Dimensions:

- Cable Diameter (Max.) (mm [in]) = 28.58 [1.125]

Body Features:

- Body Style = Straight
- Cable Clamp Material = Thermoplastic
- Cover = Without
- Cable Clamp Color = Black
- Cable Clamp Flammability Rating = UL94V-1

Industry Standards:

- [RoHS/ELV Compliance](#) = RoHS compliant, ELV compliant
- [Lead Free Solder Processes](#) = Not relevant for lead free process
- [RoHS/ELV Compliance History](#) = Always was RoHS compliant

Packaging Features:

- [Packaging Method](#) = Individual

Other:

- Brand = AMP
- Comment = Clamping areas adjustable by inverting or changing inserts.; Components for all cable clamps are packaged unassembled. This includes the cable clamp, two screws, and the clamping inserts.; Cable clamps can be

threaded directly onto plugs or receptacles, or onto back-shell extenders.; Replacement screws are available in the following sizes: 9.52mm [3/8 in.] -P/N 19024-1, 12.7mm [1/2 in.] -P/N 19024-2, 15.88mm [5/8 in.] -P/N 19024-3, 25.4mm [1 in.] -P/N 19024-4, 19.05mm [3/4 in.] -P/N 19024-5.; Cable clamp inserts are not sold separately.

Corporate Information

- [About TE](#)
- [Investors](#)
- [News Room](#)
- [Supplier Portal](#)
- [Careers](#)

Quick Links

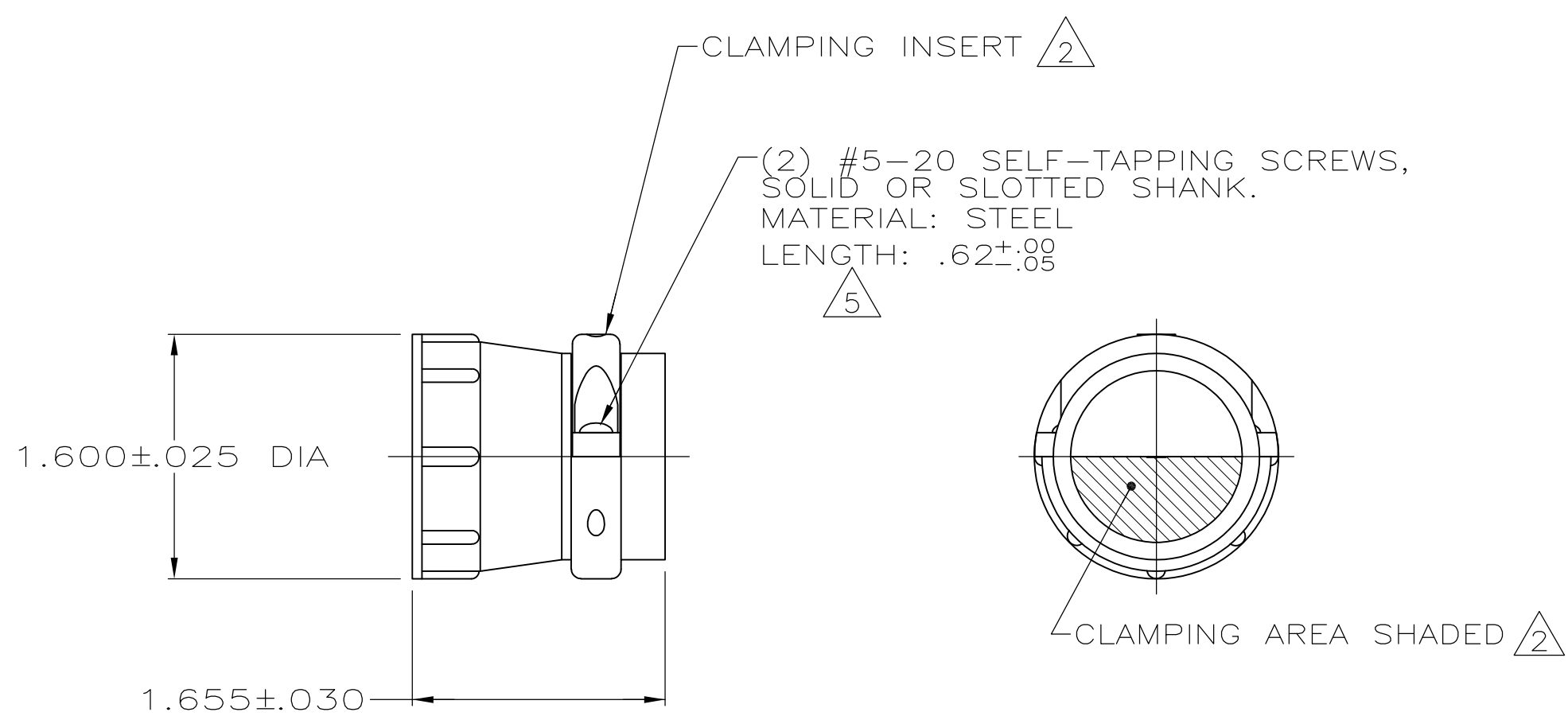
- [Distributor Inventory](#)
- [Product Cross Reference](#)
- [Documents & Drawings](#)
- [Product Compliance Support Center](#)
- [Site Map](#)

Customer Support

- [Email or Chat With Us](#)
- [Find a Phone Number](#)
- [Knowledge Base](#)
- [Manage Your Account](#)

THIS DRAWING IS UNPUBLISHED. RELEASED FOR PUBLICATION
 © COPYRIGHT - By - ALL RIGHTS RESERVED.

LOC	DIST	REVISIONS					
BD	0	P	LTR	DESCRIPTION	DATE	DWN	APVD
			G3	REVISED PER ECO-11-004587	11MAR11	RK	HMR



- 1 PARTS PACKAGED UNASSEMBLED.
- $\triangle 2$ CABLE CLAMPING AREA ADJUSTABLE FROM .261 TO .517 SQ IN BY CHANGING CLAMPING INSERT.
- 3 1.125 MAXIMUM CABLE OUTSIDE DIAMETER.
- $\triangle 4$ BULK PACKAGED KITS TO BE ORDERED IN MULTIPLES OF 75 ONLY.
- $\triangle 5$ FINISH: ZINC NON-HEXAVALENT CHROMATE.
- $\triangle 6$ OBSOLETE PARTS: OBSOLETE CIS STREAMLINING PER D.RENAUD/D.SINISI

	$\triangle 5$	$\triangle 4$ BULK	206512-6
	$\triangle 5$	INDIVIDUAL	206512-5
$\triangle 6$ OBSOLETE	$\triangle 5$	SMALL PACK	206512-4
$\triangle 6$ OBSOLETE	$\triangle 5$	SMALL PACK	206512-3
SUPERSEDED BY 206512-6	$\triangle 5$	$\triangle 4$ BULK	206512-2
SUPERSEDED BY 206512-5	$\triangle 5$	INDIVIDUAL	206512-1
		SCREW FINISH	PART NUMBER
			PACKAGING

THIS DRAWING IS A CONTROLLED DOCUMENT.		DWN A GRAFF 4/29/91	STE TE Connectivity	
		CHK W.G.LENKER 7-23-92		
DIMENSIONS: INCHES		APVD -		NAME CABLE CLAMP KIT, LARGE, SHELL SIZE 23, CPC
TOLERANCES UNLESS OTHERWISE SPECIFIED:		PRODUCT SPEC 108-10024		RESTRICTED TO -
MATERIAL THERMOPLASTIC		FINISH -		APPLICATION SPEC -
		WEIGHT -		SIZE A3
		CUSTOMER DRAWING		CAGE CODE 00779
		SCALE 1:1		DRAWING NO C-206512
		SHEET 1 OF 1		REV G3