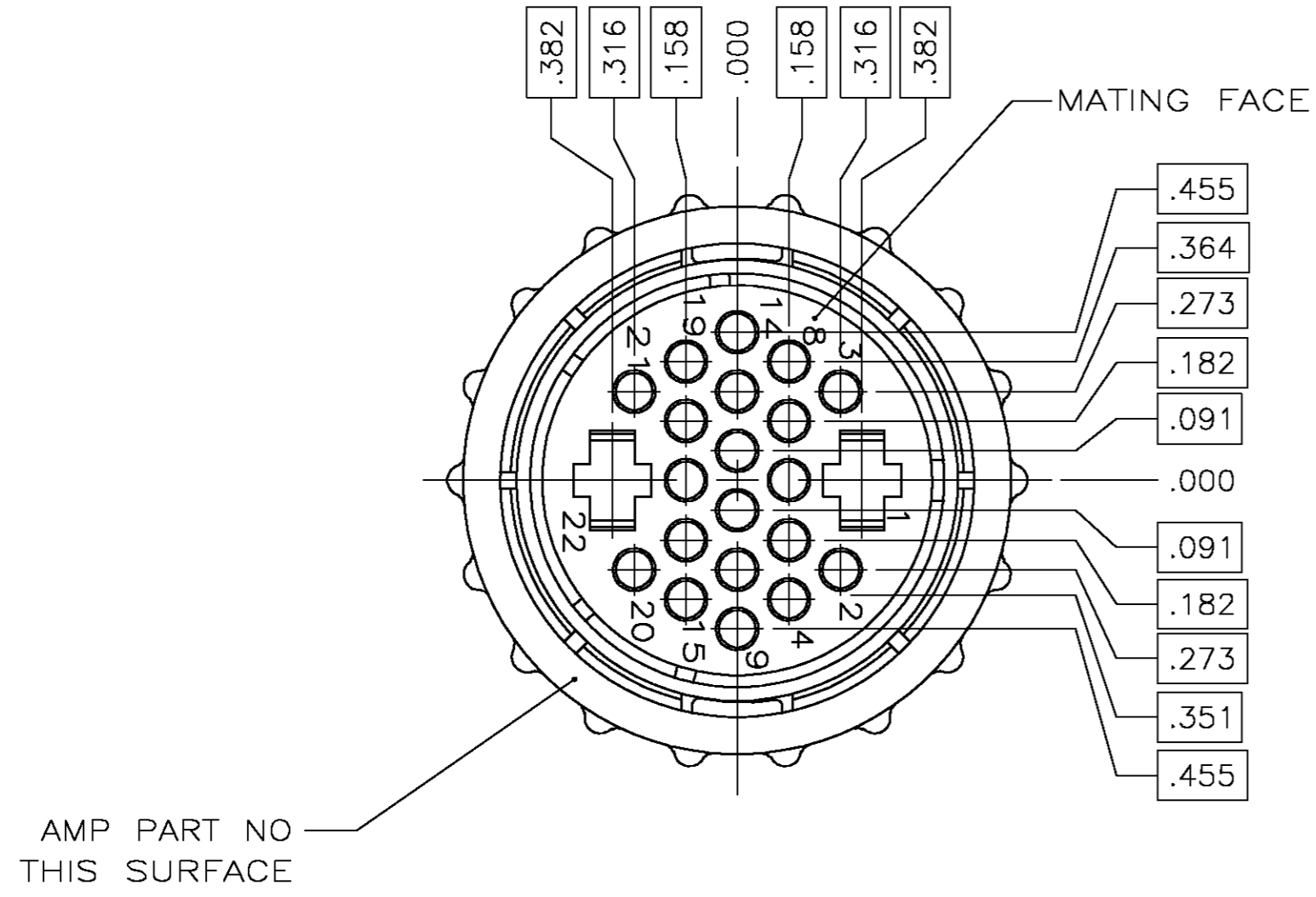
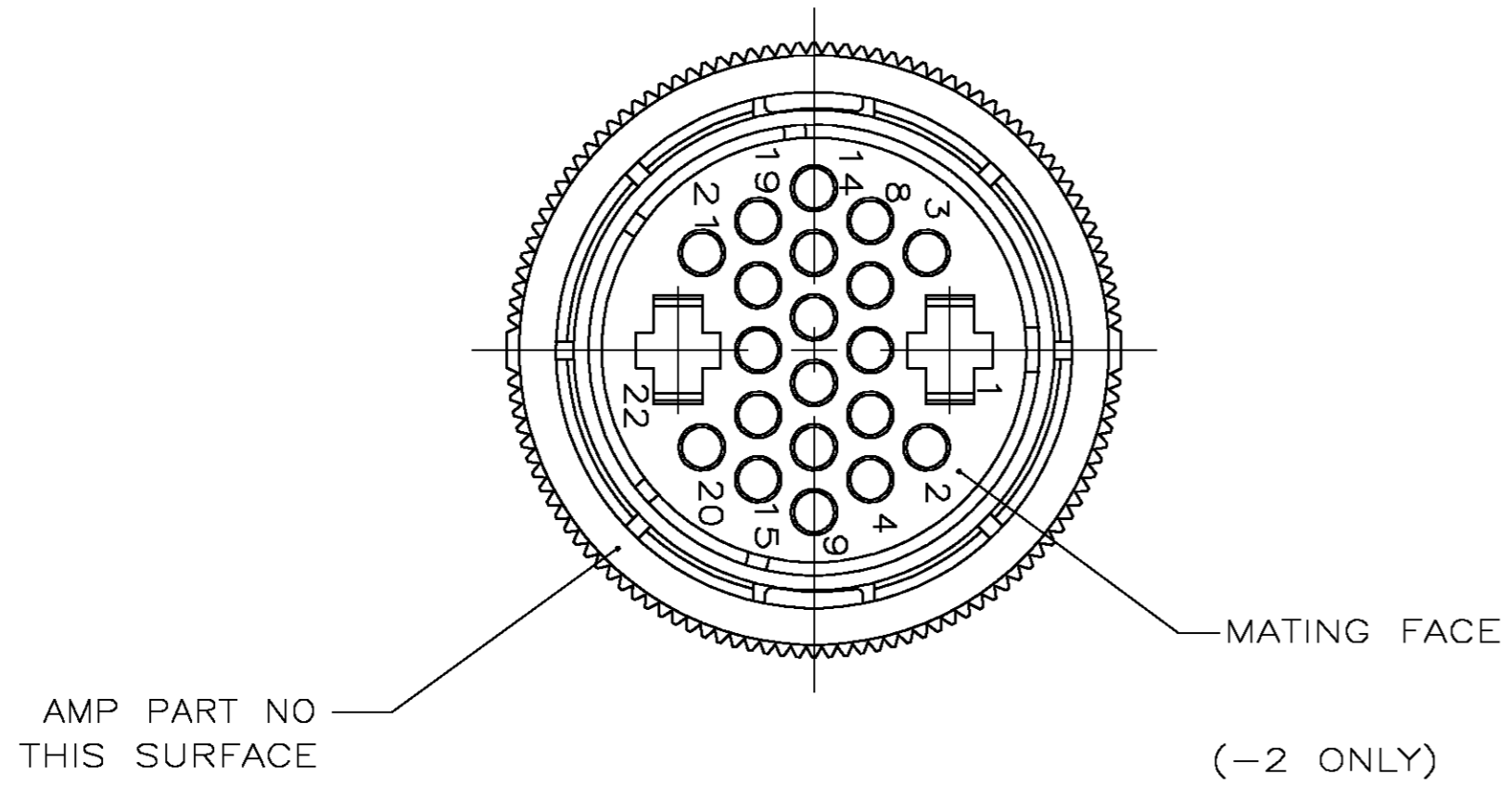


THIS DRAWING IS UNPUBLISHED. RELEASED FOR PUBLICATION  
 © COPYRIGHT BY TYCO ELECTRONICS CORPORATION. ALL RIGHTS RESERVED.

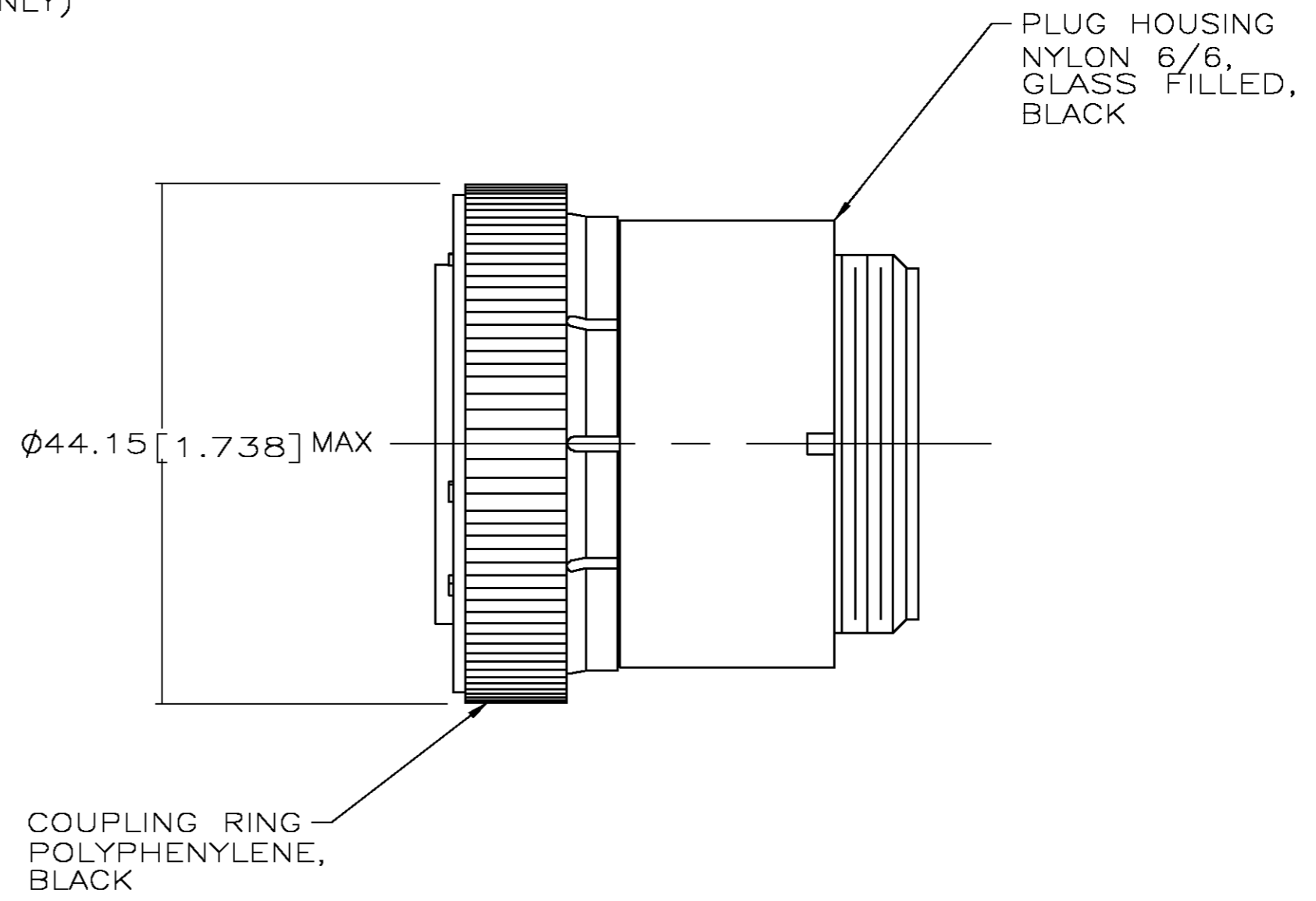
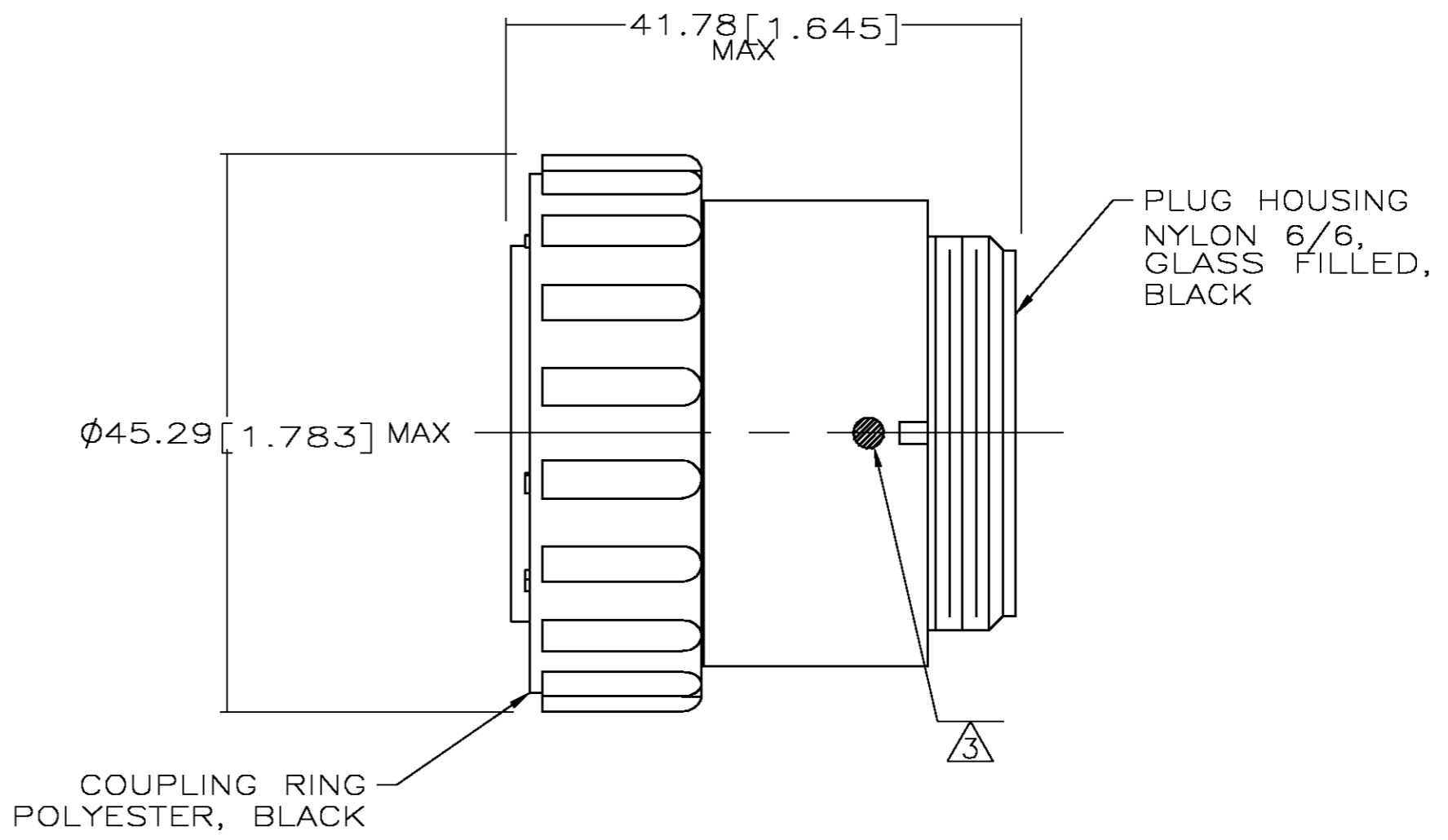
LOC		DIST		REVISIONS					
FT		0		P	LTR	DESCRIPTION	DATE	DWN	APVD
				G		REVISED PER 0G3B-0426-03	7/11/03	SH	SS



(-1 AND -3 ONLY)



(-2 ONLY)



- NOTES:**
- CONTACT CAVITIES IDENTIFIED BY CHARACTERS ON FRONT AND REAR FACES OF CONNECTOR.
  - WILL ACCEPT (20) MULTIMATE & (2) TYPE XII SOCKET CONTACTS.
- ⊠ WHITE DOT ONLY APPEARS ON 206612-3 ASSEMBLY.
- ⊠ PRELIMINARY PART NUMBER.

⊠	206612-3
	206612-2
	206612-1
	PART NUMBER

THIS DRAWING IS A CONTROLLED DOCUMENT.		DWN S. RIDGLEY BG 31 JUL 90	Tyco Electronics Corporation Harrisburg, PA 17105	
DIMENSIONS: INCHES		CHK R. STONE 26 APR 91	NAME K. BEAVER 03 APR 91	
TOLERANCES UNLESS OTHERWISE SPECIFIED:		PRODUCT SPEC 108-10024		
0 PLC ± -		APPLICATION SPEC		
1 PLC ± -		SIZE A2		
2 PLC ± -		CAGE CODE 00779		
3 PLC ± -		DRAWING NO C=206612		
4 PLC ± -		RESTRICTED TO		
ANGLES ± -		SCALE 2:1		
FINISH		SHEET 1 OF 1		
MATERIAL SEE CALLOUT		REV G		
		CUSTOMER DRAWING		