



Have a Question?  
Chat with a Product Information Specialist

What can we help you find?

[Products](#) [Industries](#) [Resources](#) [About TE](#) [My Account](#) [Innovation](#) [Support Center](#)

## 206612-1 Product Details

[Share](#) [Print](#) [Email](#)



**206612-1**

TE Internal Number: 206612-1

Active

[View 3D PDF](#)

### CPC (Circular Plastic) and Circular Metal-Shell Connectors

Always EU RoHS/ELV Compliant (Statement of Compliance)

**Product Highlights:**

- Housing
- Connector Style = Plug
- 22 Positions
- 20 Signal Positions
- 2 Power Positions

[View all Features](#)

### Quick Links

- ▶ [Pricing & Availability](#)
- ▶ [Search for Tooling](#)
- ▶ [View Mating Products \(3\)](#)
- ▶ [Product Feature Selector](#)
- ▶ [Contact Us About This Product](#)

[Add to My Part List](#) [Request Sample](#) [Find Similar Products](#) [Buy Product](#)

Documentation & Additional Information	
<p><b>Product Drawings:</b></p> <ul style="list-style-type: none"> <li>• <a href="#">PLUG ASSEMBLY, SHELL SIZE 23, STANDARD SEX, SERIES4, CPC (PDF, English)</a></li> </ul> <p><b>Catalog Pages/Data Sheets:</b></p> <ul style="list-style-type: none"> <li>• <a href="#">AMP Circular Connectors for Commercial Signal &amp; Powe... (PDF, English)</a></li> </ul> <p><b>Product Specifications:</b></p> <ul style="list-style-type: none"> <li>• <a href="#">Connector, Circular Plastic (PDF, English)</a></li> </ul> <p><b>Application Specifications:</b></p> <ul style="list-style-type: none"> <li>• None Available</li> </ul> <p><b>Instruction Sheets:</b></p> <ul style="list-style-type: none"> <li>• <a href="#">Circular Plastic Connectors (CPC) (PDF, English)</a></li> </ul> <p><b>CAD Files:</b> (CAD Format &amp; Compression Information)</p> <ul style="list-style-type: none"> <li>• <a href="#">2D Drawing (DXF, Version G)</a></li> <li>• <a href="#">3D Model (IGES, Version G)</a></li> <li>• <a href="#">3D Model (STEP, Version G)</a></li> </ul>	<p><b>Additional Product Images:</b></p> <ul style="list-style-type: none"> <li>• <a href="#">Contact Arrangement</a></li> </ul> <p><b>Related Products:</b></p> <ul style="list-style-type: none"> <li>• <a href="#">Tooling</a></li> <li>• <a href="#">Mating Products (3)</a></li> </ul>

[List all Documents](#)

Product Features (Please use the Product Drawing for all design activity)	
<p><b>Product Type Features:</b></p> <ul style="list-style-type: none"> <li>• Connector Type = Housing</li> <li>• Mount Angle = Straight</li> <li>• Shell Size = 23</li> <li>• Shell Type = All Plastic</li> <li>• Product Series = Series 4</li> <li>• Thread Size = 1-3/8 - 18 UNEF-2A</li> <li>• Sealed = No</li> </ul> <p><b>Mechanical Attachment:</b></p> <ul style="list-style-type: none"> <li>• <a href="#">Mount</a> = Free Hanging</li> <li>• Mating Retention Type = Threaded Coupling</li> </ul> <p><b>Dimensions:</b></p> <ul style="list-style-type: none"> <li>• Insulation Diameter (Power Conductor) (mm [in]) = 5.59 [0.220]</li> </ul> <p><b>Body Features:</b></p> <ul style="list-style-type: none"> <li>• Insulation Diameter (Signal Conductor) (mm [in]) = 3.81 [0.150]</li> </ul> <p><b>Contact Features:</b></p> <ul style="list-style-type: none"> <li>• <a href="#">Contact Type</a> = Socket</li> <li>• <a href="#">Reverse Gender</a> = Standard</li> </ul> <p><b>Housing Features:</b></p> <ul style="list-style-type: none"> <li>• <a href="#">Connector Style</a> = Plug</li> </ul>	<p><b>Configuration Features:</b></p> <ul style="list-style-type: none"> <li>• <a href="#">Number of Positions</a> = 22</li> <li>• <a href="#">Number of Signal Positions</a> = 20</li> <li>• <a href="#">Number of Power Positions</a> = 2</li> <li>• <a href="#">Environmental Protection</a> = Without</li> <li>• <a href="#">Reverse Numbering</a> = Without</li> </ul> <p><b>Industry Standards:</b></p> <ul style="list-style-type: none"> <li>• <a href="#">VDE Tested</a> = No</li> <li>• <a href="#">RoHS/ELV Compliance</a> = RoHS compliant, ELV compliant</li> <li>• <a href="#">Lead Free Solder Processes</a> = Not relevant for lead free process</li> <li>• <a href="#">RoHS/ELV Compliance History</a> = Always was RoHS compliant</li> </ul> <p><b>Environmental:</b></p> <ul style="list-style-type: none"> <li>• <a href="#">Fluid Resistance</a> = None</li> </ul> <p><b>Other:</b></p> <ul style="list-style-type: none"> <li>• Brand = AMP</li> </ul>

- Mating Alignment Type = Keyed
- Housing Material = Thermoplastic - GF
- Housing Color = Black
- UL Flammability Rating = UL 94V-0

### Corporate Information

- [About TE](#)
- [Investors](#)
- [News Room](#)
- [Supplier Portal](#)
- [Careers](#)
- [Terms & Conditions](#)
- [Privacy Policy](#)

### Quick Links

- [Distributor Inventory](#)
- [Product Cross Reference](#)
- [Documents & Drawings](#)
- [Product Compliance Support Center](#)
- [Site Map](#)

### Customer Support

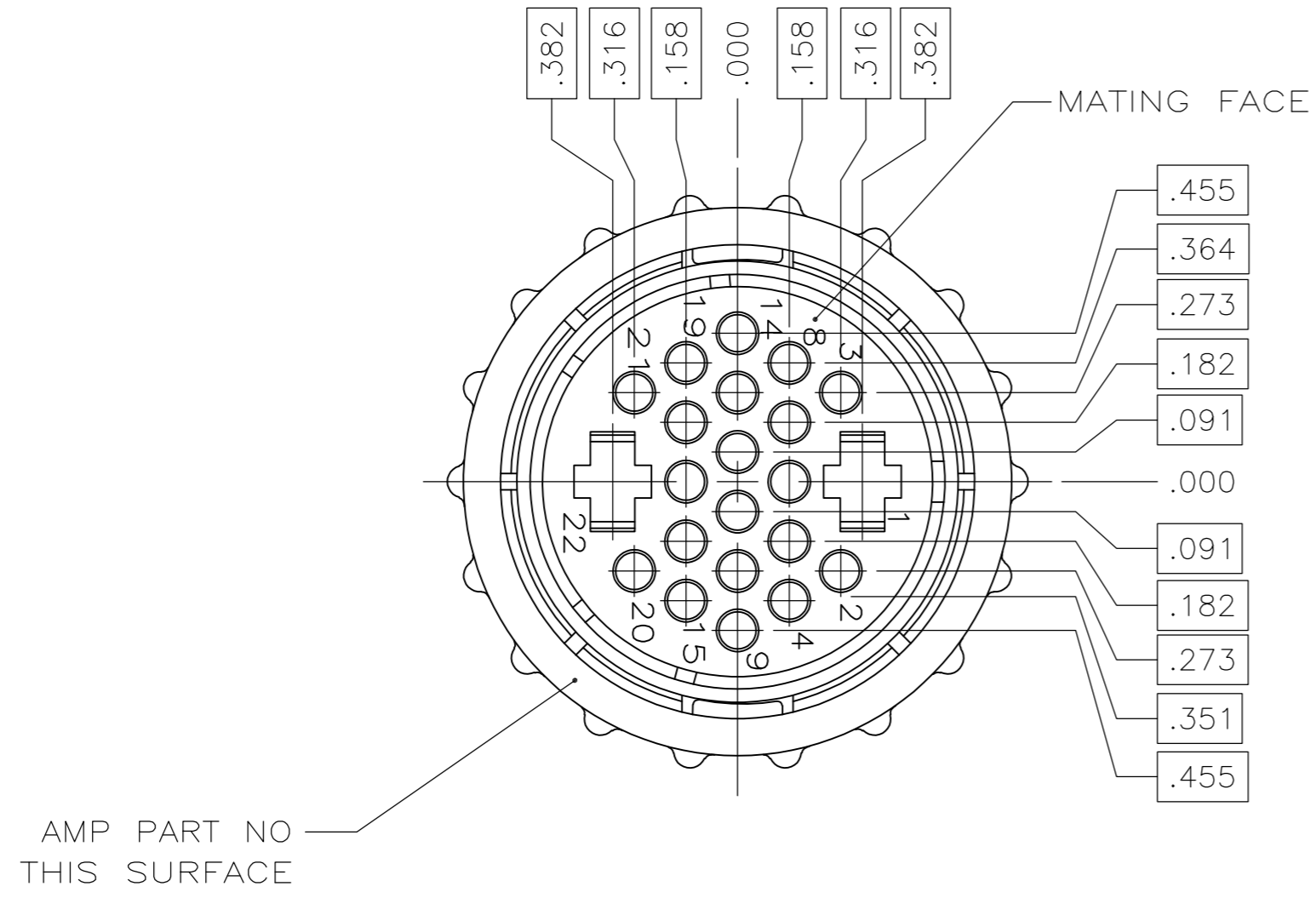
- [Email or Chat With Us](#)
- [Find a Phone Number](#)
- [Knowledge Base](#)
- [Manage Your Account](#)

### Keep Me Informed

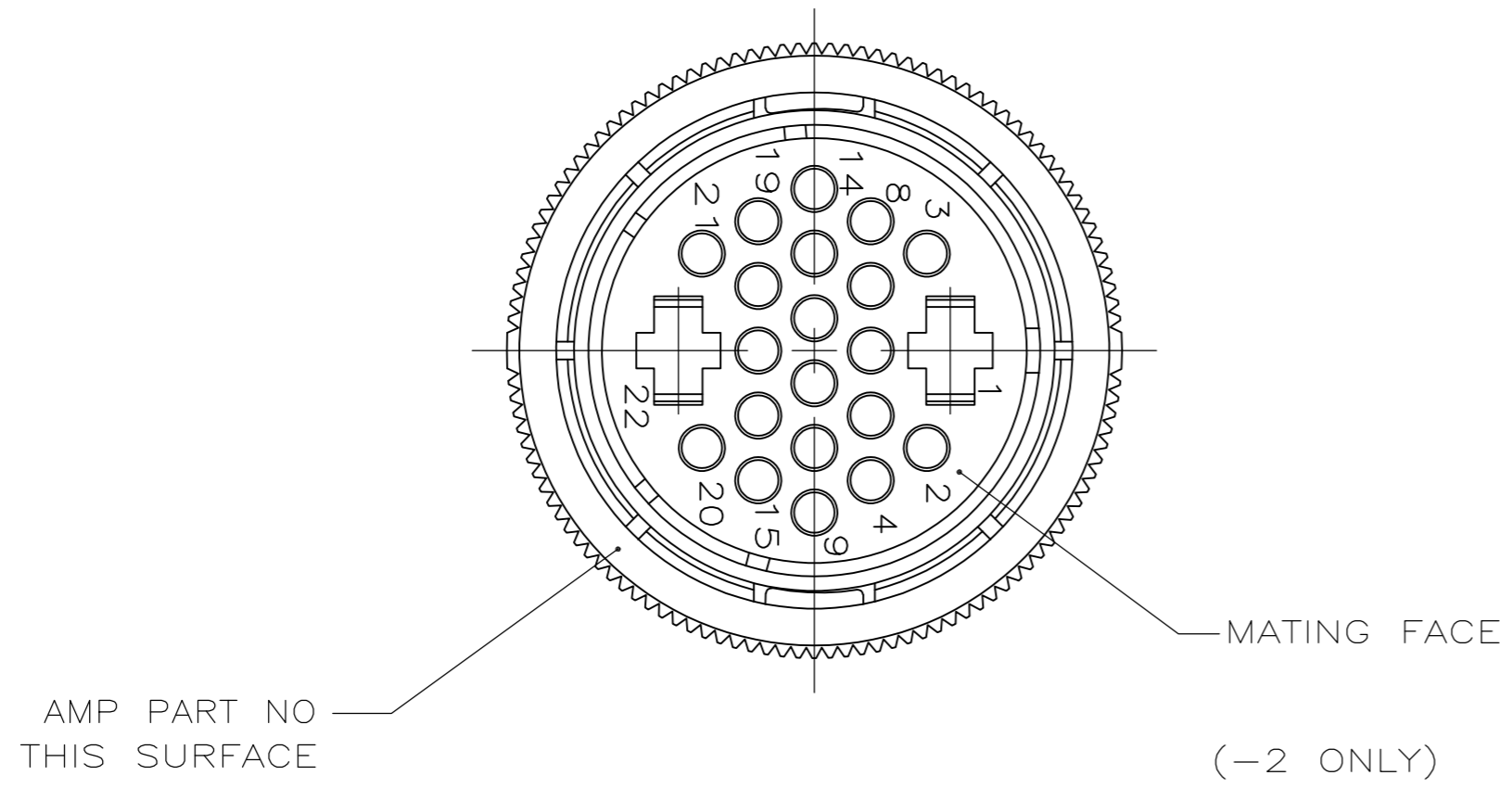


THIS DRAWING IS UNPUBLISHED. RELEASED FOR PUBLICATION  
 © COPYRIGHT - By - ALL RIGHTS RESERVED.

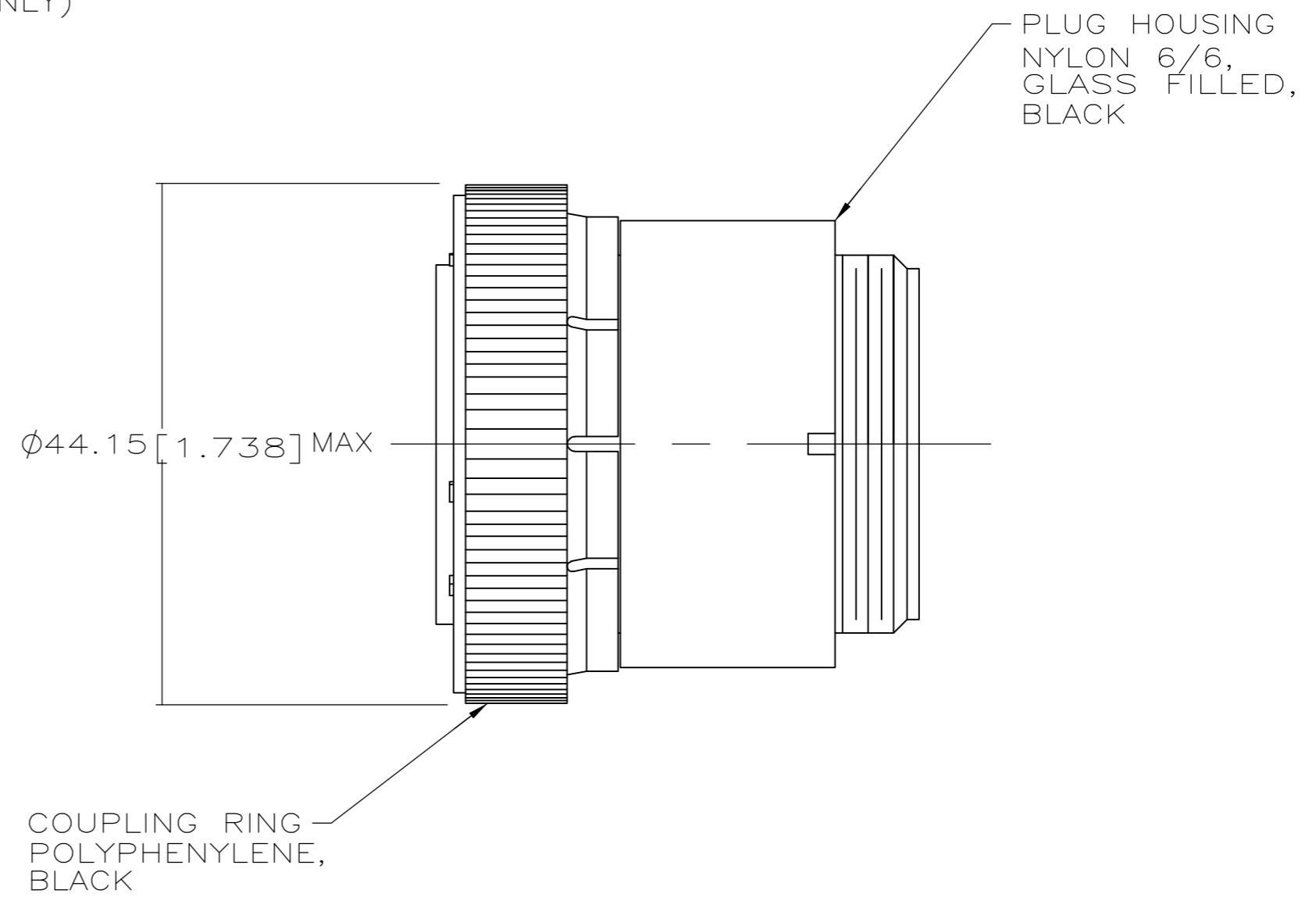
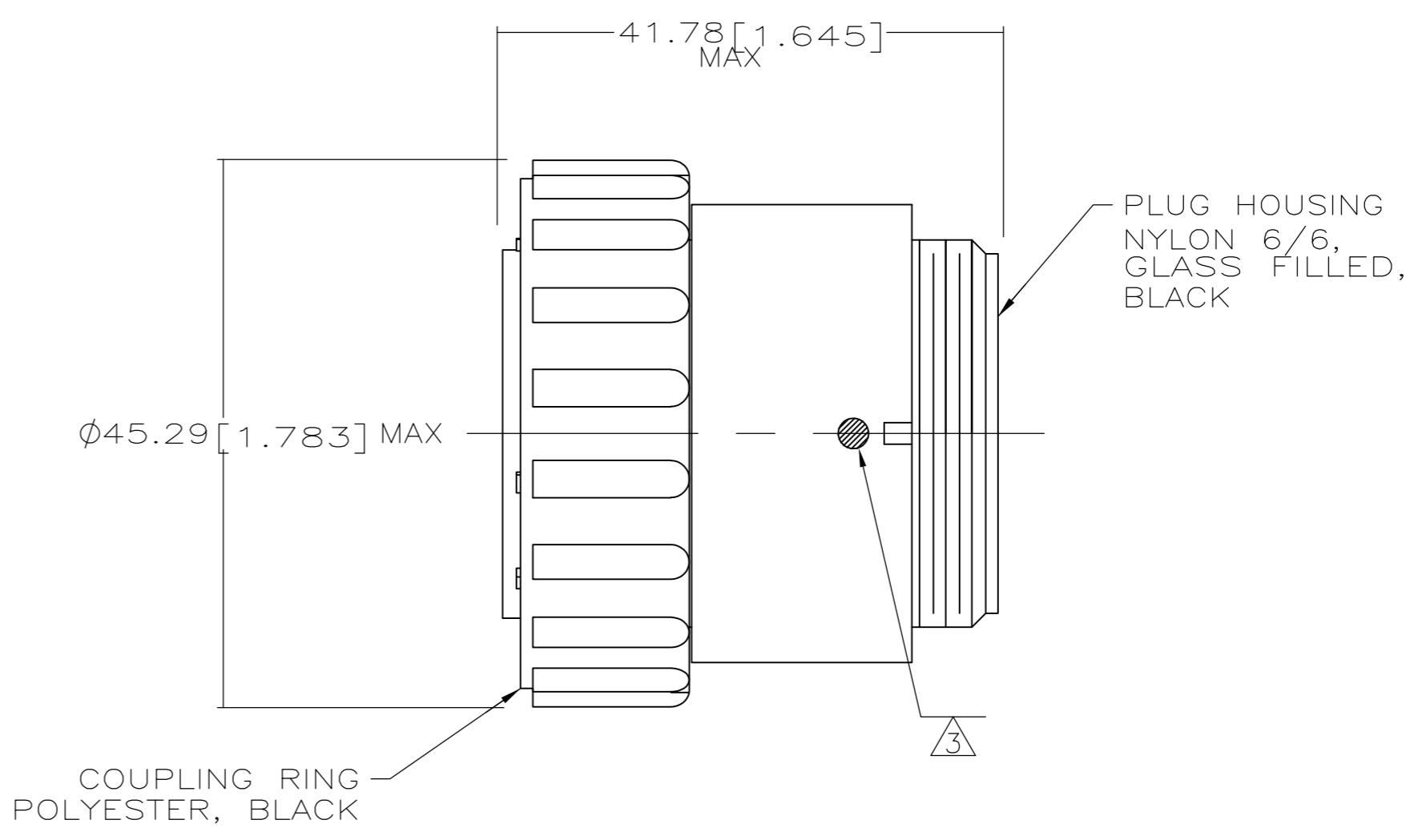
LOC		DIST		REVISIONS			
P	LTR	DESCRIPTION	DATE	DWN	APVD		
FT	0						
G1		REVISED PER ECO-11-004820	11MAR11	RK	HMR		



(-1 AND -3 ONLY)



(-2 ONLY)



- NOTES:
- CONTACT CAVITIES IDENTIFIED BY CHARACTERS ON FRONT AND REAR FACES OF CONNECTOR.
  - WILL ACCEPT (20) MULTIMATE & (2) TYPE XII SOCKET CONTACTS.
- ⊕ WHITE DOT ONLY APPEARS ON 206612-3 ASSEMBLY.
- ⊠ PRELIMINARY PART NUMBER.

⊠	206612-3
	206612-2
	206612-1
	PART NUMBER

THIS DRAWING IS A CONTROLLED DOCUMENT.		DWN S. RIDGLEY BG 31 JUL 90	<b>TE</b> TE Connectivity	
		CHK R. STONE 26 APR 91		
DIMENSIONS: INCHES		APVD K. BEAVER 03 APR 91	NAME	
TOLERANCES UNLESS OTHERWISE SPECIFIED:		PRODUCT SPEC 108-10024	PLUG ASSEMBLY, SHELL SIZE 23, STANDARD SEX, SERIES4, CPC	
MATERIAL SEE CALLOUT		FINISH	SIZE A2	CAGE CODE 00779
		WEIGHT -	DRAWING NO C-206612	RESTRICTED TO -
		CUSTOMER DRAWING	SCALE 2:1	SHEET 1 of 1
			REV G1	