

4

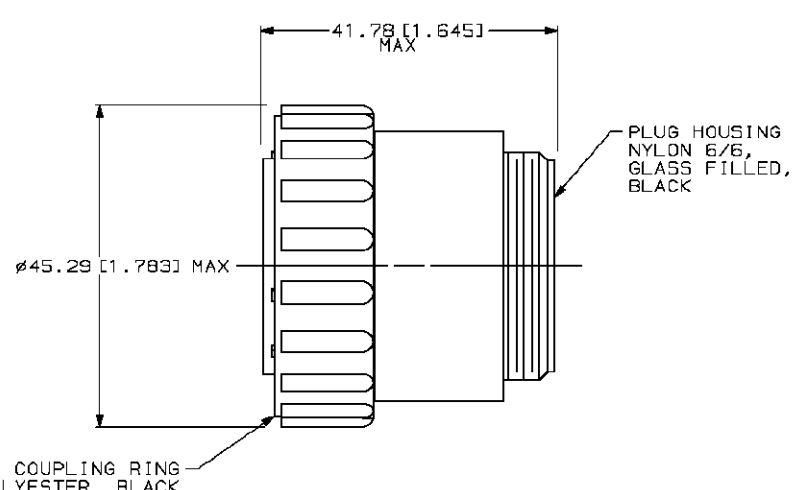
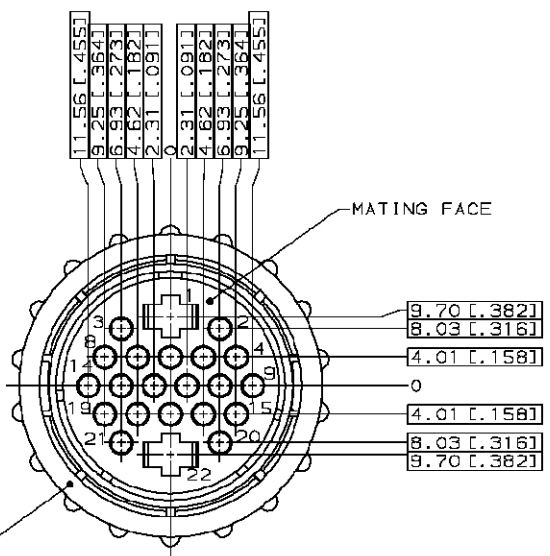
3

2

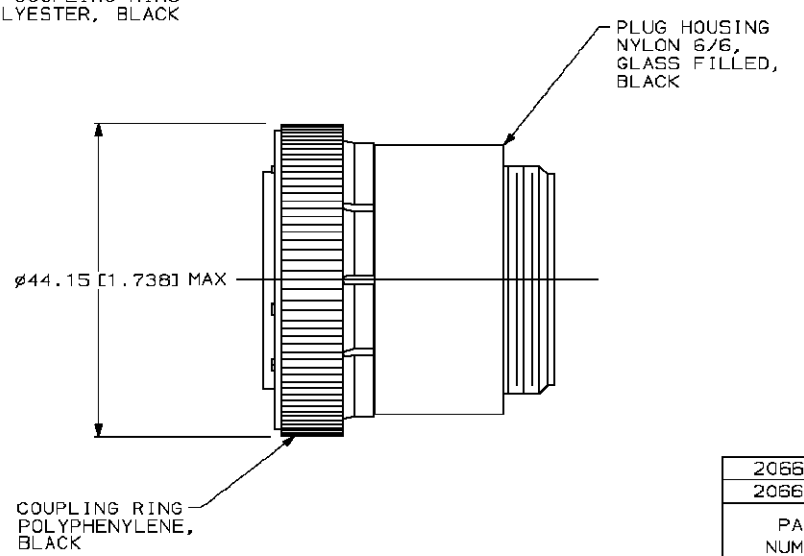
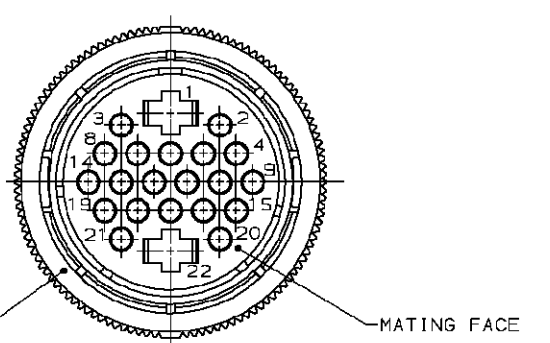
1

THIS DRAWING IS UNPUBLISHED. RELEASED FOR PUBLICATION. COPYRIGHT 19 BY AMP INCORPORATED. ALL RIGHTS RESERVED.

LOG	DISP	REVISIONS			
F	LTR	DESCRIPTION	DATE	DWG	APPD
F		ADDED -2 PER EC DGIC-32-98	24 MAR 98	PB	RW



(-1 ONLY)



(-2 ONLY)

- CONTACT CAVITIES IDENTIFIED BY CHARACTERS ON FRONT AND REAR FACES OF CONNECTOR.
- WILL ACCEPT (20) MULTIMATE & (2) TYPE XII SOCKET CONTACTS.

206612-2
206612-1
PART NUMBER

THIS DRAWING IS A CONTROLLED DOCUMENT.

DWG: S. RIDGLEY RG	31 JUL 90	<b>AMP</b> AMP Incorporated Harrisburg, PA 17105-3508
CHK: R. STONE	26 APR 91	
APPD: K. BEAVER	03 APR 91	PRODUCT SPEC: 108-10024
DIMENSIONS: UNLESS OTHERWISE SPECIFIED		APPLICATION SPEC: -
TOLERANCES UNLESS OTHERWISE SPECIFIED		SIZE: A2
MATERIAL: SEE CALLOUT		SCALE: 2:1
FINISH: -		SHEET: 1 OF 1
CUSTOMER DRAWING		REV: F