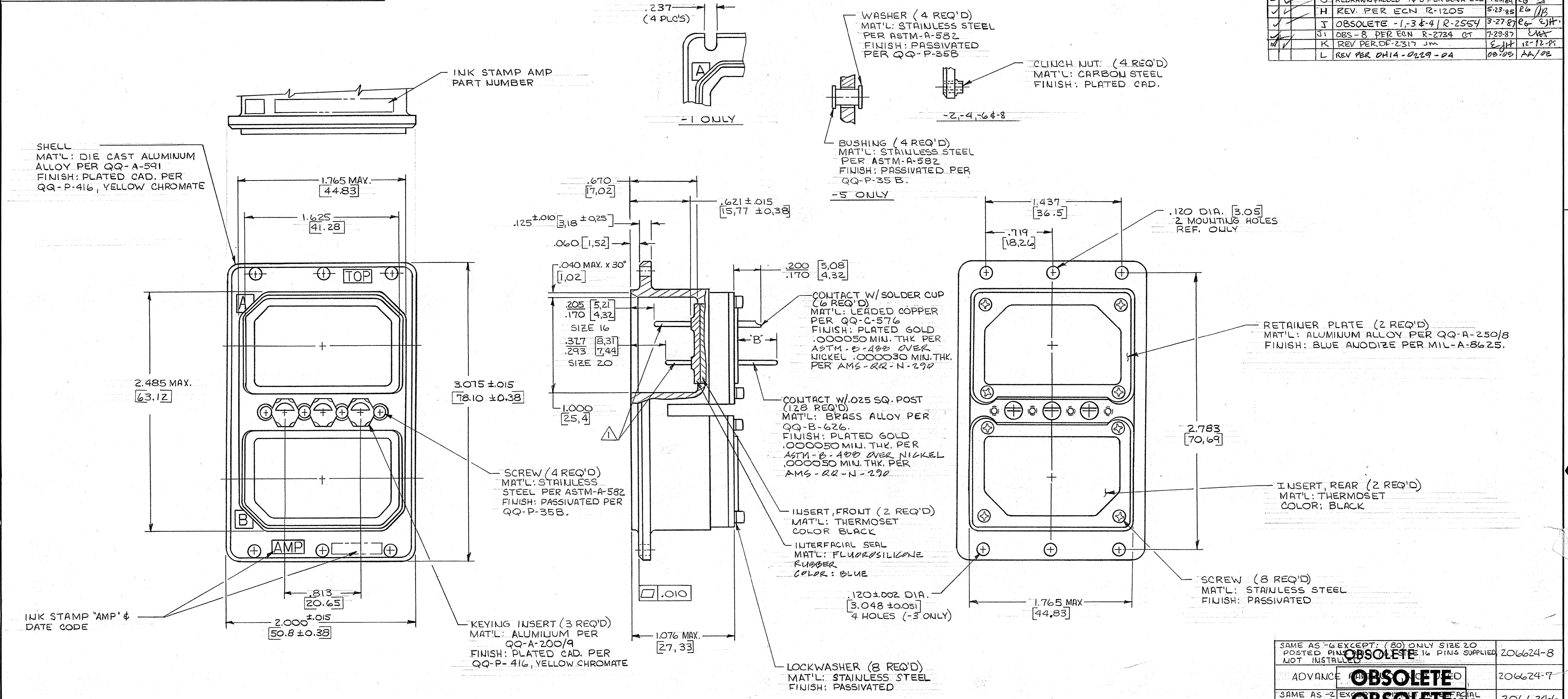


		REVISIONS			
P	F	ZONE/LTR	DESCRIPTION	DATE	APPROVED
✓		G	REDRAWN & ADDED -748 PER ECNR-603	6/25/84	Rg Bdy
✓		H	REV. PER ECN R-1205	5/23/85	Rg JB
✓		J	OBSOLETE -1-3 & 4 / R-2554	3-27-87	Rg EJH
✓		K	OBS-8 PER ECN R-2734 CT	7-29-87	EMA
✓		L	REV PER DF 2317 JM	8/11/87	12-12-85
			REV PER DH4-0029-04	08/05	AA/OE



- CONTRACTS ARE ASSEMBLED IN POSITION FOR SHIPMENT.
- FOR MATING CONNECTOR ORDER RM2P675675.
- FOR ADDITIONAL ORDERING INFORMATION SEE DWG. 205102.
- CONNECTOR MEETS AMP PRODUCT SPEC. 108-10,019.

SAME AS -6 EXCEPT: (80) ONLY SIZE 20 POSTED PINS. 16 PINS SUPPLIED NOT INSTALLED.	OBSOLETE	206624-8
ADVANCE	OBSOLETE	206624-7
SAME AS -2 EXCEPT: SPECIAL SEAL CAVITY IN REAR INSERT FACE. POLARIZATION "44"	OBSOLETE	206624-6
SAME AS -3 EXCEPT: WITH FLOATING BUSHINGS	OBSOLETE	206624-5
SAME AS -3 EXCEPT: WITH CLINCH NUTS POSTED CONTACT	OBSOLETE	206624-4
AS SHOWN WITH POSN.	OBSOLETE	206624-3
SAME AS -3 EXCEPT: WITH CLINCH NUTS AND POLARIZATION "44"	OBSOLETE	206624-2
SAME AS -3 EXCEPT	OBSOLETE	206624-1

206624-8	.445/.415
206624-7	
206624-6	.445/.415
206624-5	.445/.415
206624-4	.650/.610
206624-3	.445/.415
206624-2	.445/.415
206624-1	.445/.415
PART NO.	'B' DIM.

UNLESS OTHERWISE SPECIFIED DIMENSIONS ARE IN INCHES. TOLERANCES ON: DECIMALS ±.005 ANGLES ±		CONTRACT NO. 6-25-84		AMP AMP INCORPORATED Harrisburg, Pa. 17105	
MATERIAL SEE CALLOUTS		DR R. Gryboski 6-25-84 CHK B. D. Yahn 6-27-84 APPD J. Baulhann 6-28-84 DSGN APPD H. S. Sweeney 6-28-84 OTHER APPD			
FINISH SEE CALLOUTS		SIZE D	FSCM NO. 00779	DRAWING NO. 206624	
PART NO.		SCALE N.T.S.	SHEET 1 of 1		