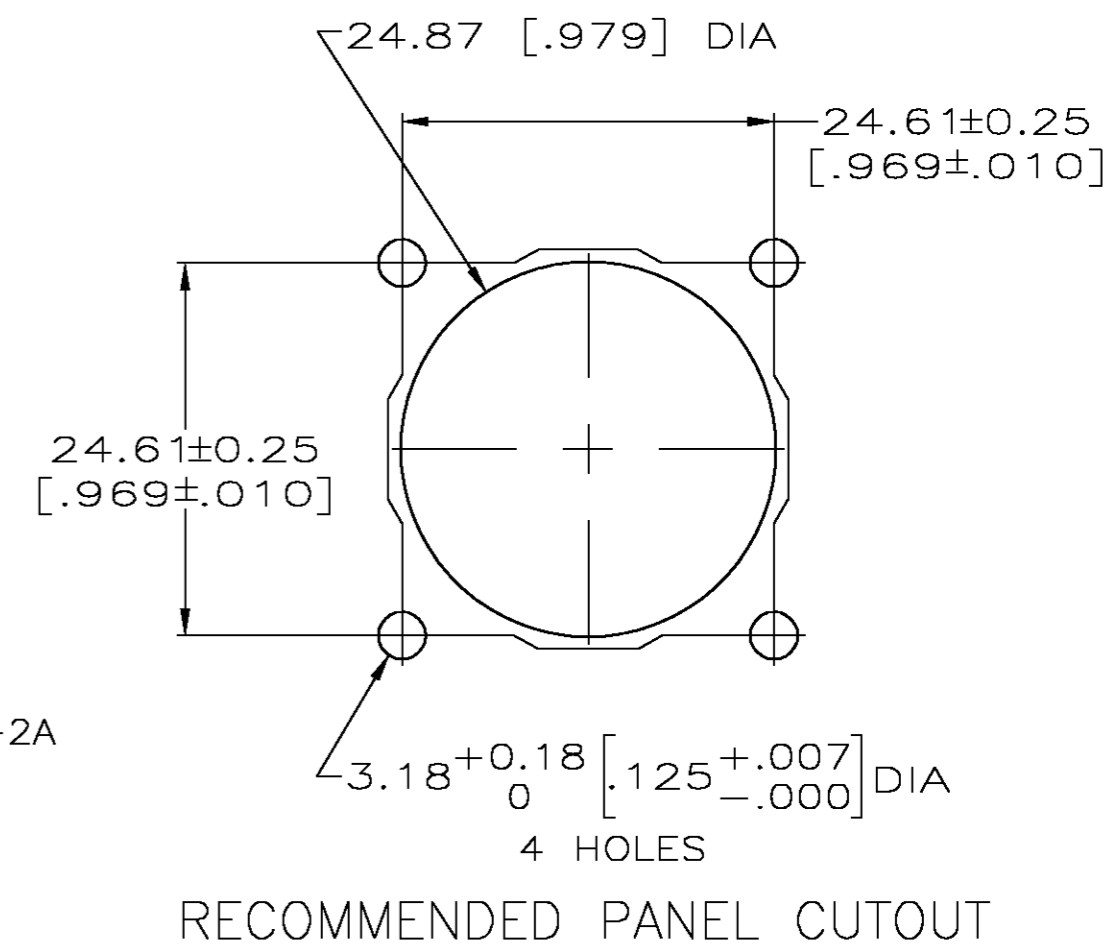
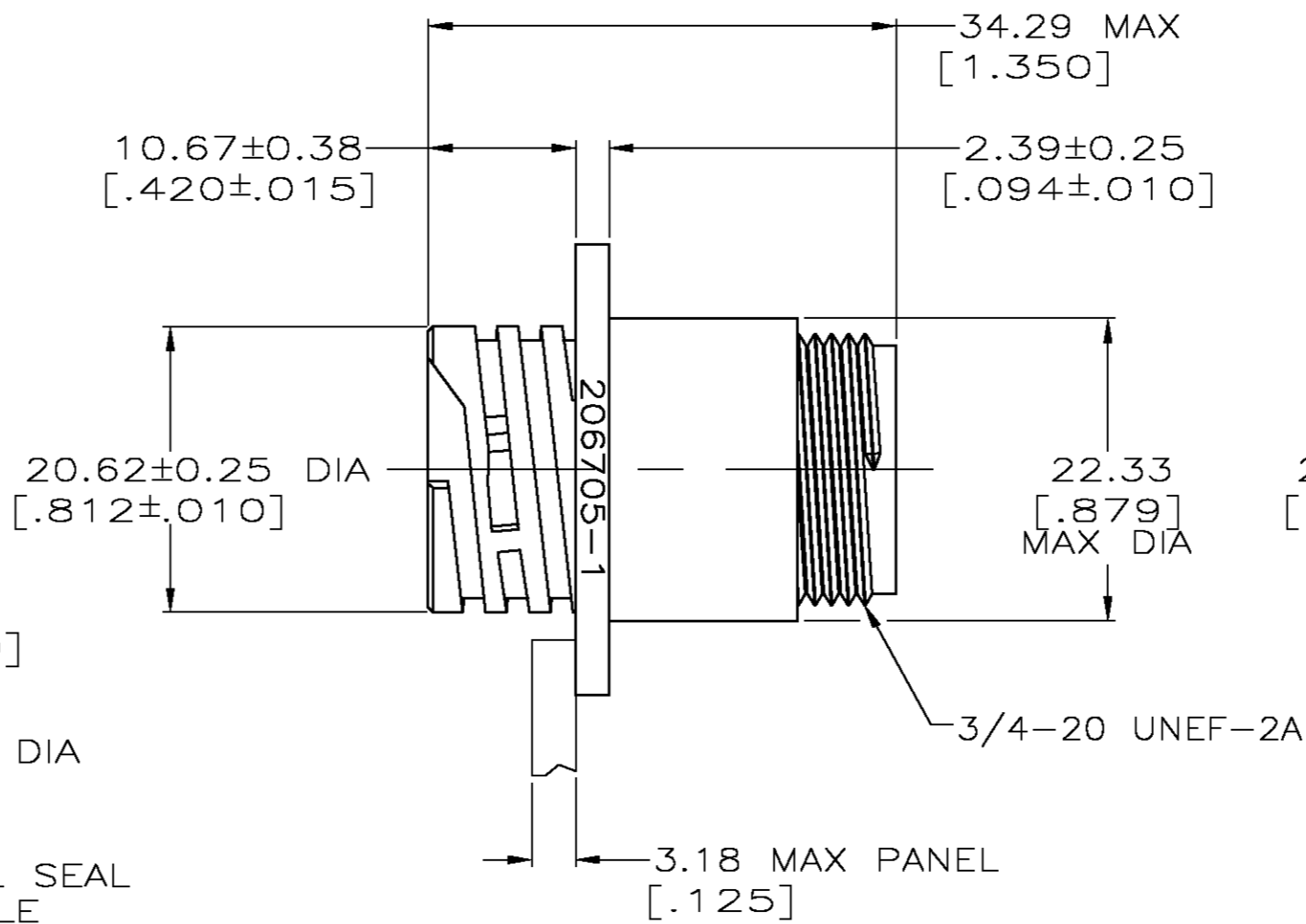
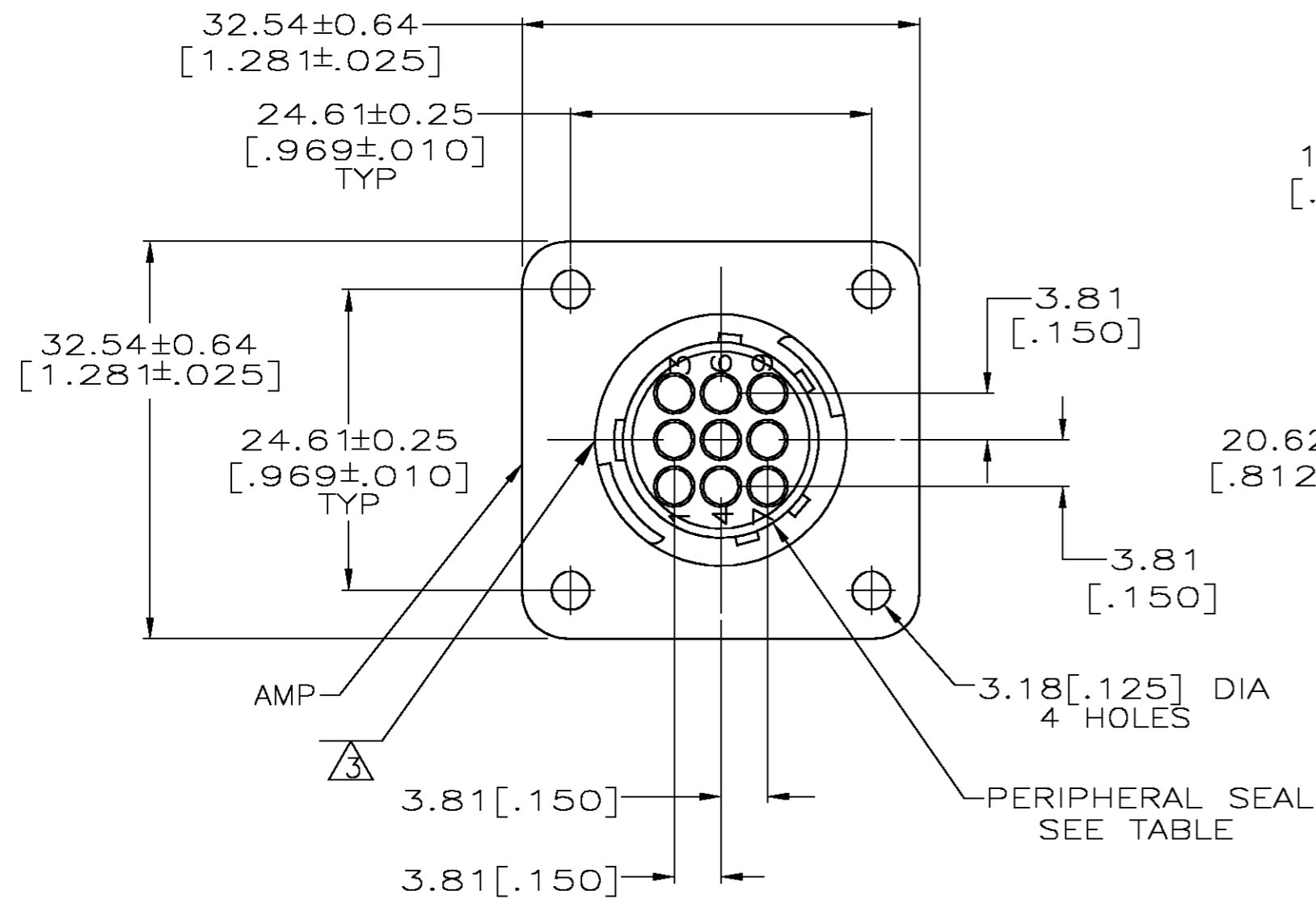
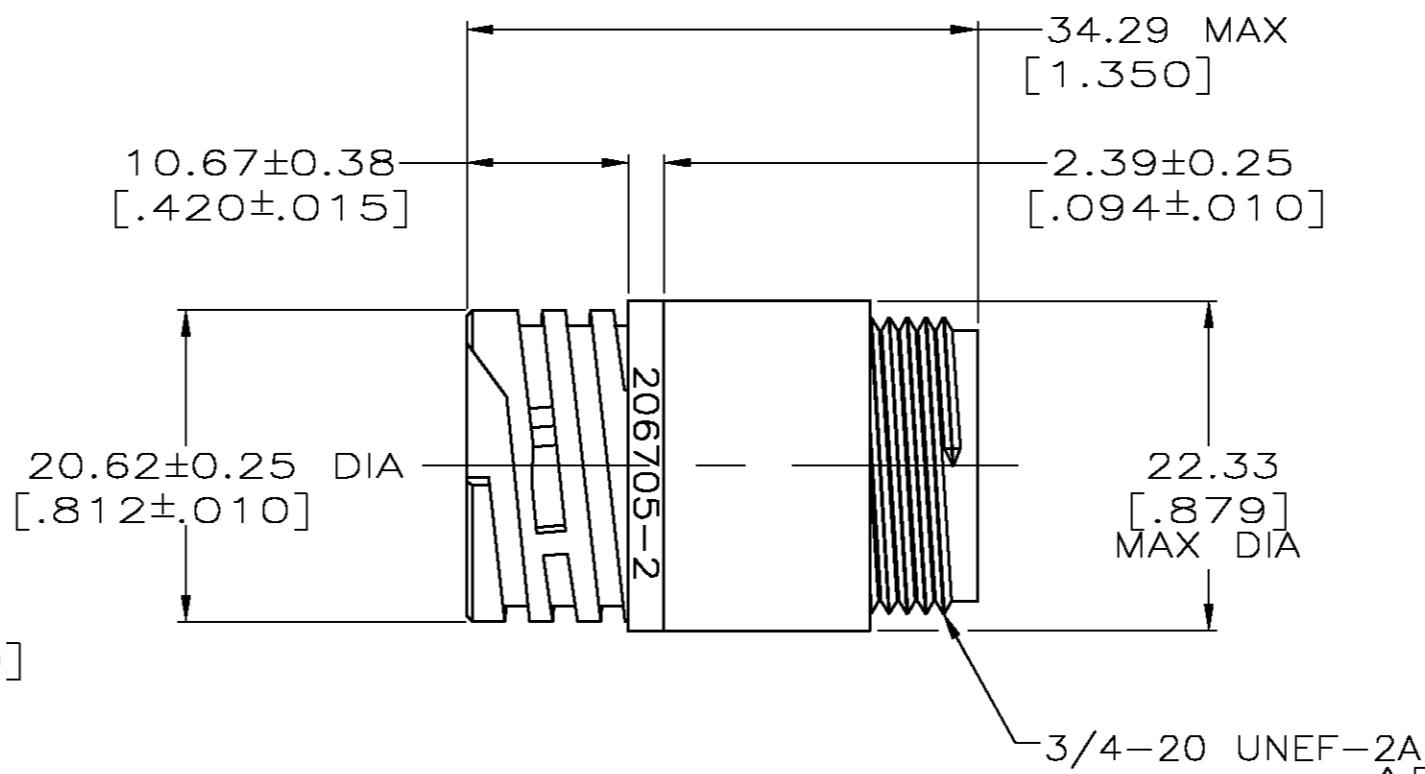
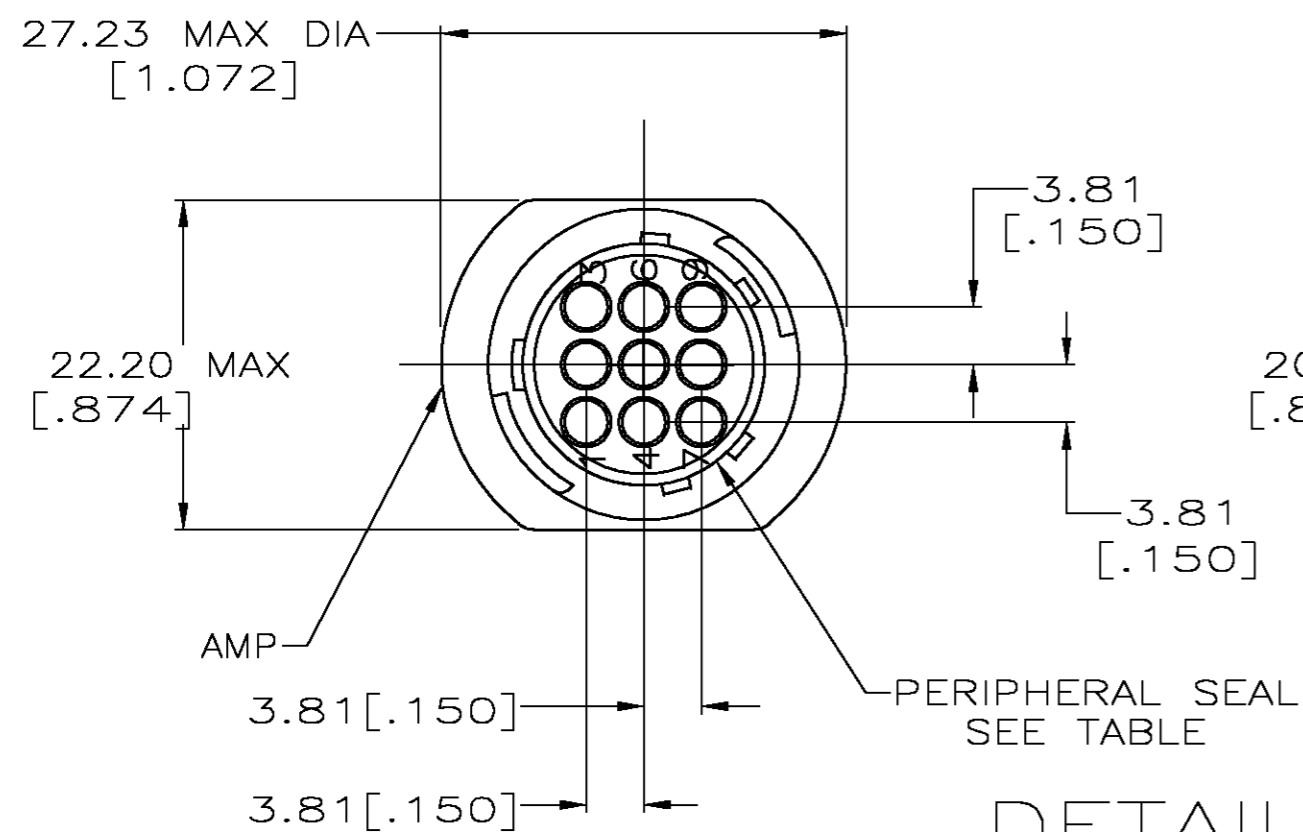


THIS DRAWING IS UNPUBLISHED. RELEASED FOR PUBLICATION
 © COPYRIGHT BY TYCO ELECTRONICS CORPORATION. ALL RIGHTS RESERVED.

LOC	DIST	REVISIONS			
P	LTR	DESCRIPTION	DATE	DWN	APVD
FT	0	L	REVISED PER 0G3B-0993-04	10/29/04	SS HW



DETAIL A



DETAIL B

NOTES	PERIPHERAL SEAL	SEE DETAIL	PART NUMBER
③	NO	A	206705-5
-	YES	B	206705-4
-	YES	A	206705-3
-	NO	B	206705-2
-	NO	A	206705-1

NOTES:

1. CAVITY IDENTIFICATION ON FRONT AND REAR FACE.
 2. RECEPTACLE WILL ACCEPT NINE (9) MULTIMATE PIN CONTACTS.
- ③ WHITE DOT OVER MAJOR KEY, APPROX WHERE SHOWN.
 ④ PRELIMINARY PART NUMBER.

THIS DRAWING IS A CONTROLLED DOCUMENT.

DWN	D.HARDY	05/19/94	Tyco Electronics Corporation Harrisburg, Pa 17105-3608
CHK	R.STONE	05/20/94	
APVD	-	-	NAME
DIMENSIONS: INCHES TOLERANCES UNLESS OTHERWISE SPECIFIED: 0 PLC ± - 1 PLC ± - 2 PLC ± 0.13 [.005] 3 PLC ± - 4 PLC ± - ANGLES ± - FINISH -			PRODUCT SPEC 108-10024 APPLICATION SPEC -
MATERIAL	NYLON, BLACK	WEIGHT	-
CUSTOMER DRAWING		SCALE	2:1
SHEET		1	OF 1
REV		L	