

## 206705-3 Product Details



**206705-3**

TE Internal Number: 206705-3



### CPC (Circular Plastic) and Circular Metal-Shell Connectors

 Always EU RoHS/ELV Compliant (Statement of Compliance)

#### Product Highlights:

- Housing
- Connector Style = Receptacle
- 9 Positions
- 9 Signal Positions
- 0 Power Positions

### Documentation & Additional Information

#### Product Drawings:

- [RECEPTACLE HOUSING, STANDARD SEX, SHELL SIZE 13, CPC](#) (PDF, English)

#### Catalog Pages/Data Sheets:

- [AMP Circular Connectors for Commercial Signal & Powe...](#) (PDF, English)

#### Product Specifications:

- None Available

#### Application Specifications:

- None Available

#### Instruction Sheets:

- [Sealed Circular Plastic Connectors](#) (PDF, English)

#### CAD Files: (CAD Format & Compression Information)

- [2D Drawing](#) (DXF, Version AJ)
- [3D Model](#) (IGES, Version AJ)
- [3D Model](#) (STEP, Version AJ)

#### Additional Product Images:

- [Contact Arrangement](#)

#### Related Products:

- [Tooling](#)
- [Mating Products \(1\)](#)

### Product Features (Please use the Product Drawing for all design activity)

#### Product Type Features:

- Connector Type = Housing
- Mount Angle = Straight
- Shell Size = 13
- PCB Mount Retention = Without
- Shell Type = All Plastic
- Product Series = Series 1
- Thread Size = 3/4 - 20 UNEF-2A
- Sealed = Yes

#### Mechanical Attachment:

- Mount = Panel
- Mating Retention Type = Threaded Coupling

#### Termination Features:

- Seal Type = Peripheral

#### Body Features:

- Mount Style = Flange with Mounting Holes

#### Contact Features:

- Contact Type = Pin
- Reverse Gender = Standard

#### Housing Features:

- Connector Style = Receptacle
- Mating Alignment Type = Keyed
- Housing Material = Thermoplastic - GF
- Housing Color = Black
- UL Flammability Rating = UL 94V-0

#### Configuration Features:

- Number of Positions = 9
- Number of Signal Positions = 9
- Number of Power Positions = 0
- Environmental Protection = With
- Reverse Numbering = Without

#### Industry Standards:

- VDE Tested = No
- RoHS/ELV Compliance = RoHS compliant, ELV compliant
- Lead Free Solder Processes = Not relevant for lead free process
- RoHS/ELV Compliance History = Always was RoHS compliant

#### Identification Marking:

- Keying = A

#### Environmental:

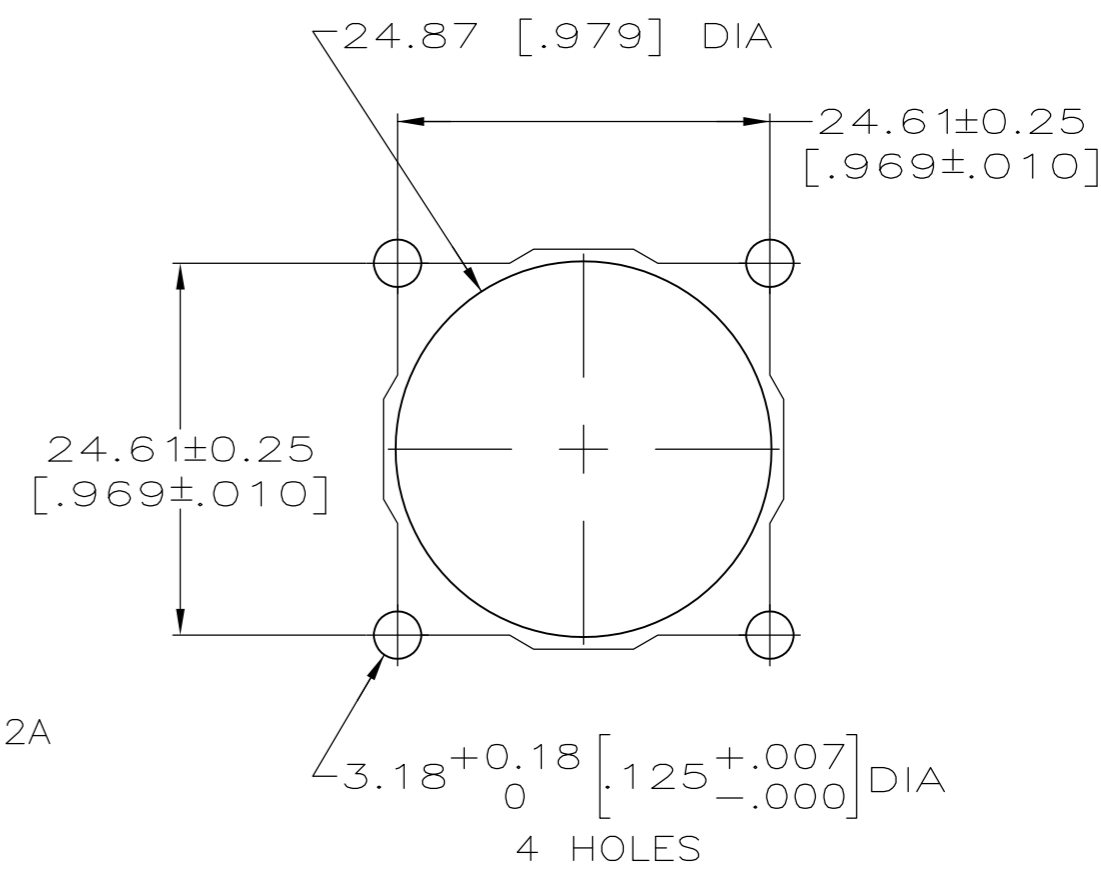
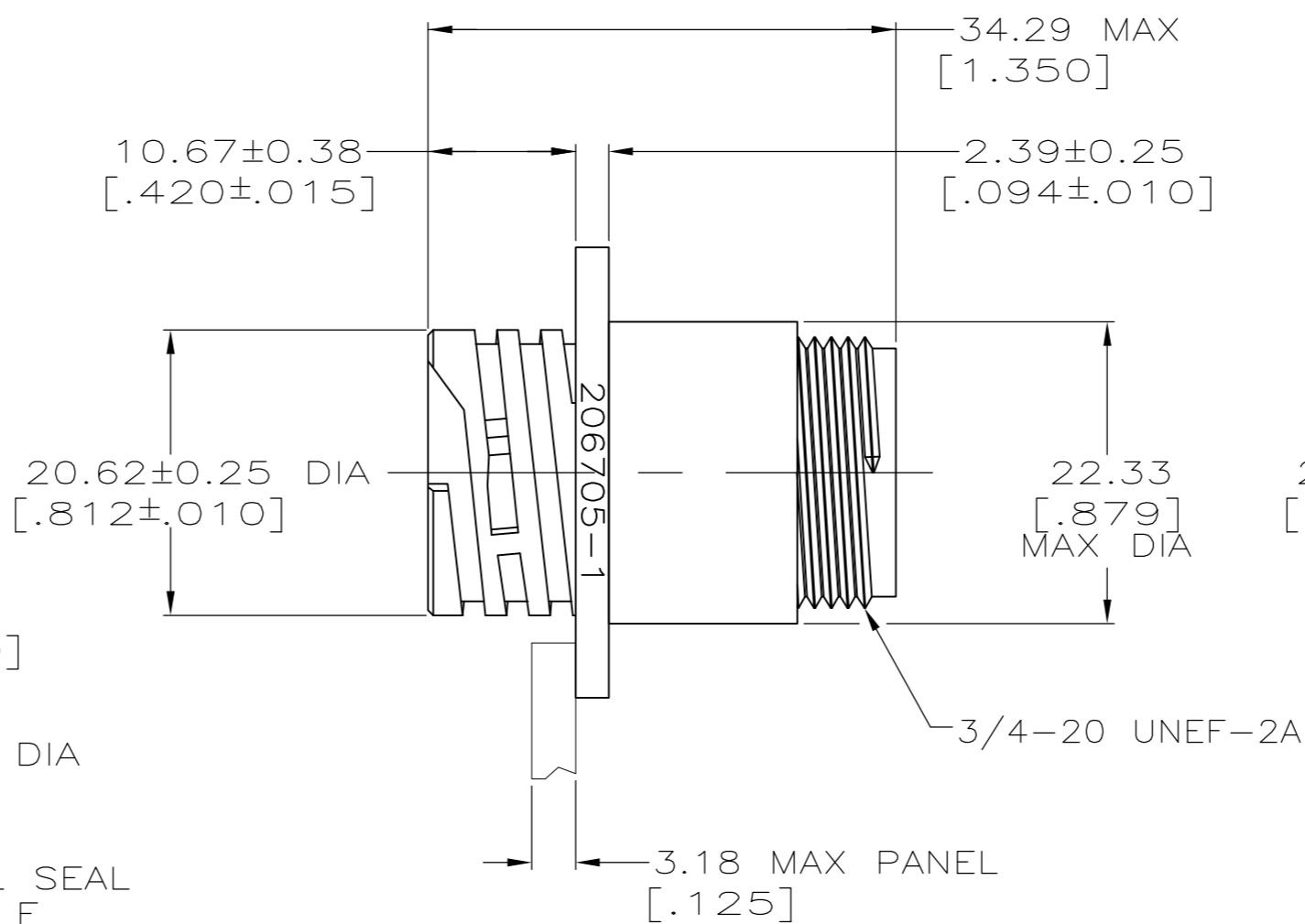
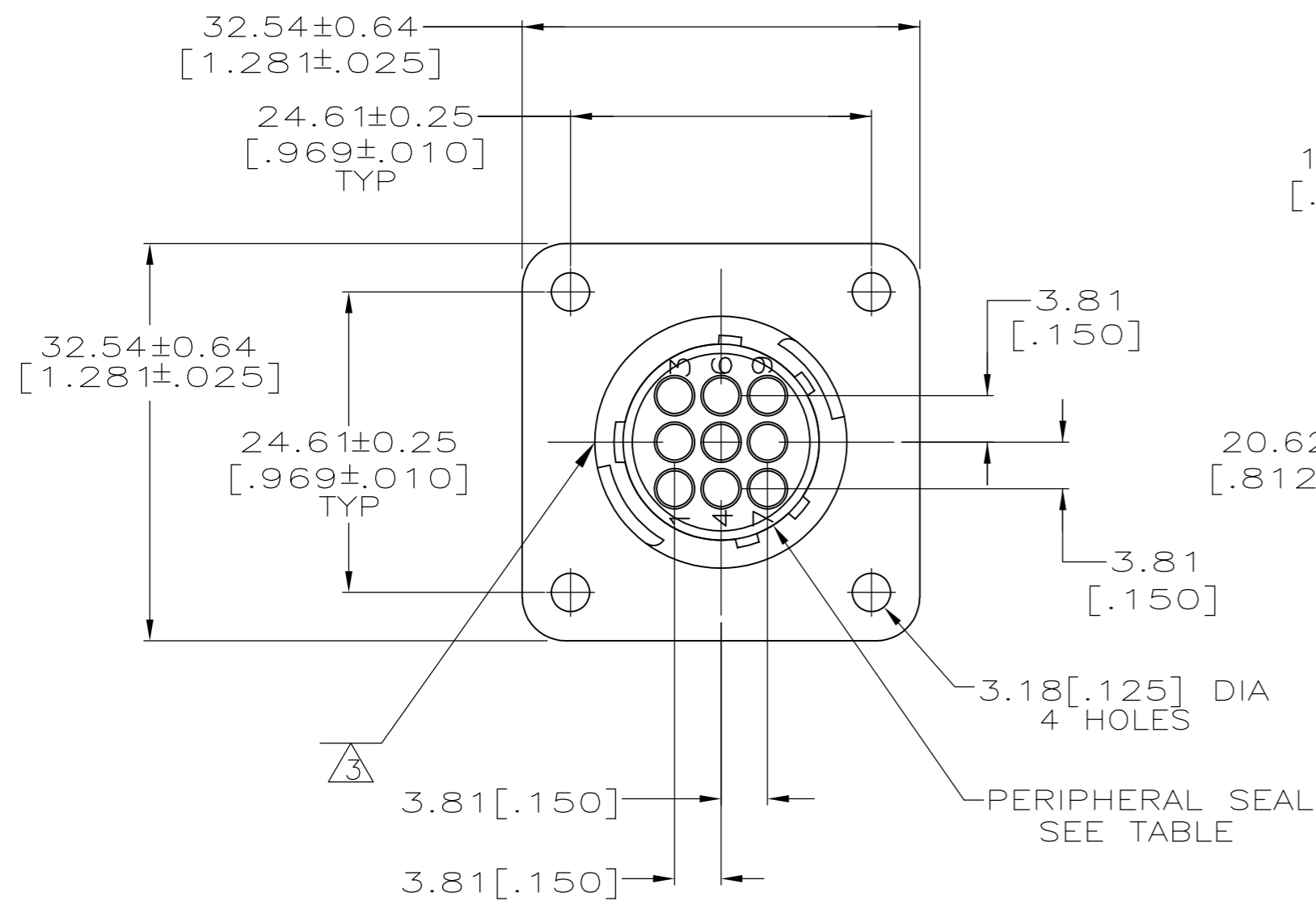
- Fluid Resistance = Immersion

#### Other:

- Brand = AMP

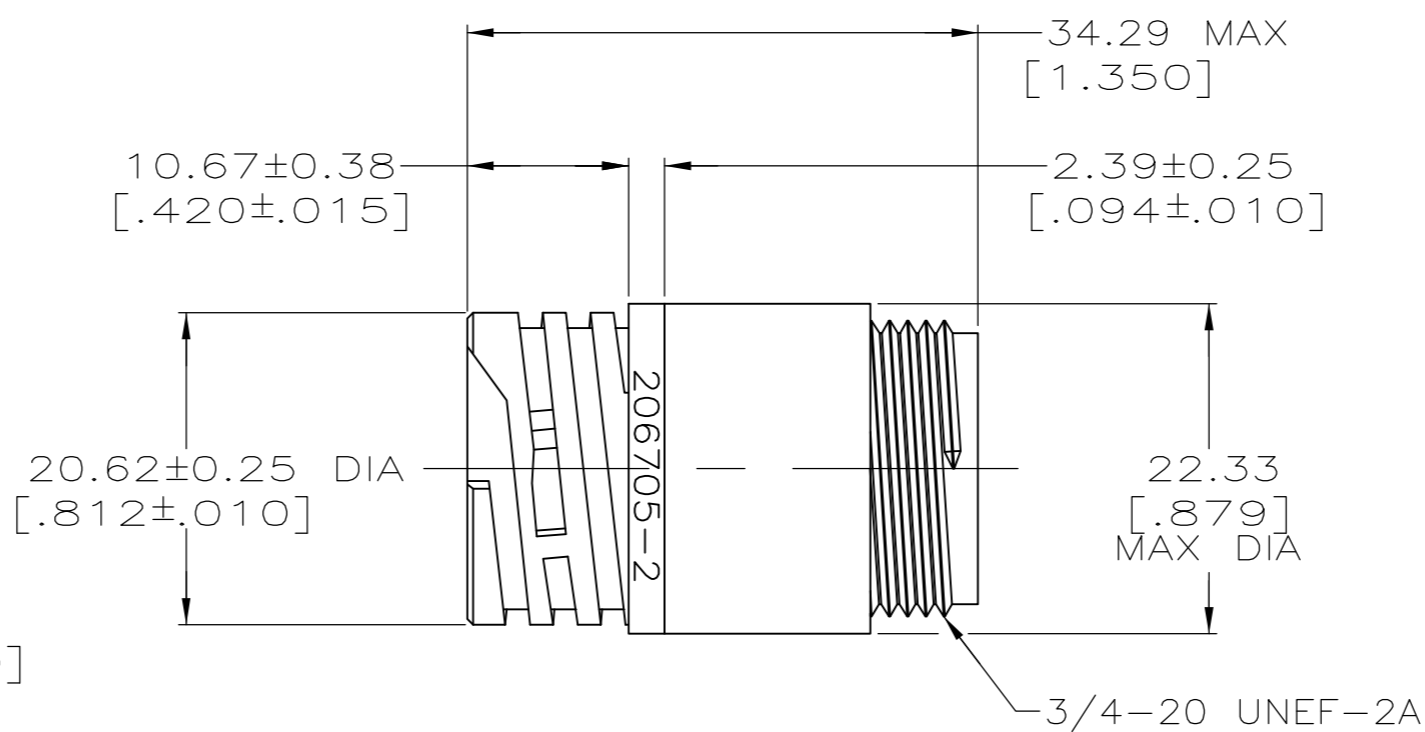
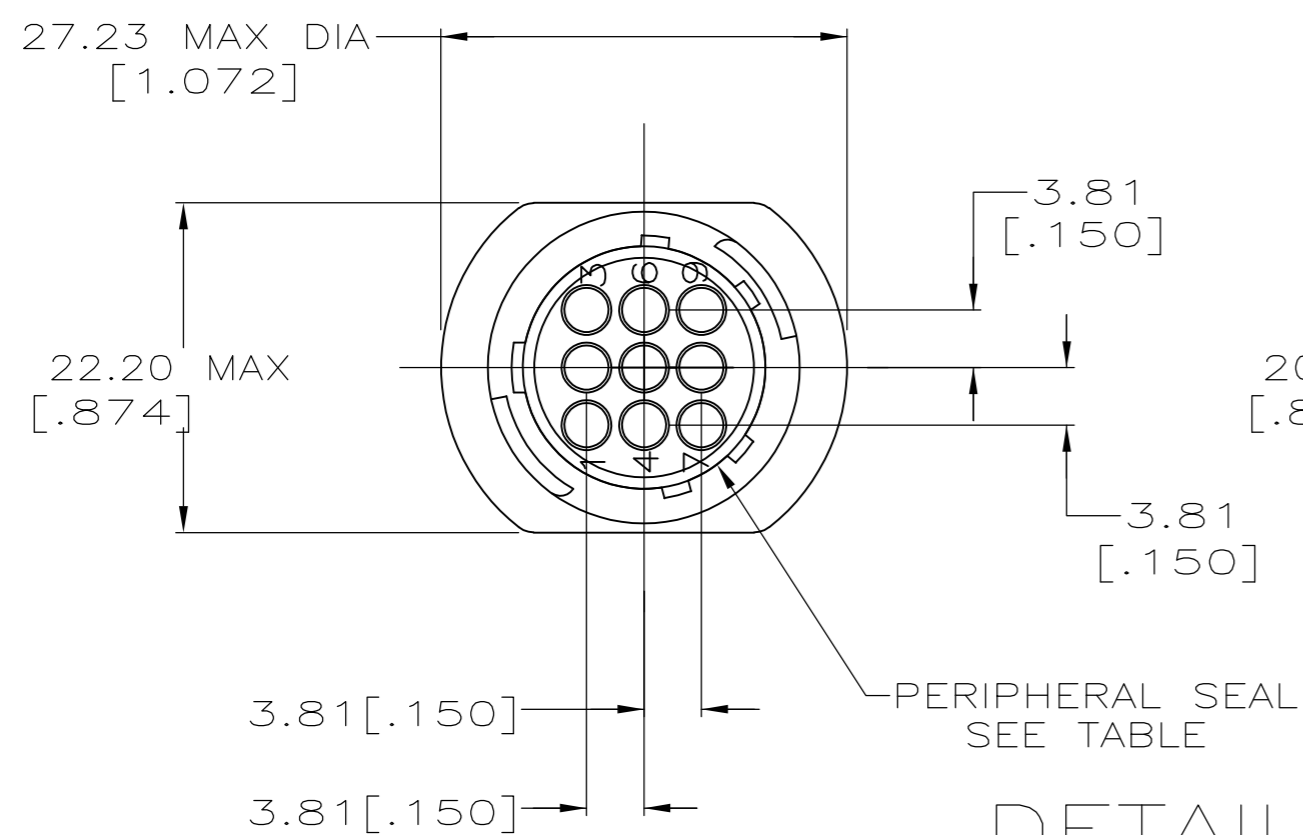
THIS DRAWING IS UNPUBLISHED. RELEASED FOR PUBLICATION  
 © COPYRIGHT - By - ALL RIGHTS RESERVED.

LOC		DIST		REVISIONS			
P	LTR	DESCRIPTION		DATE	DWN	APVD	
FT	0	M	REVISED PER ECO-12-015521	28SEP12	KH	MZ	



DETAIL A

RECOMMENDED PANEL CUTOUT



DETAIL B

4	3	NO	A	206705-5
-	-	YES	B	206705-4
-	-	YES	A	206705-3
-	-	NO	B	206705-2
-	-	NO	A	206705-1
NOTES	PERIPHERAL SEAL	SEE DETAIL	PART NUMBER	

- 1 CAVITY IDENTIFICATION ON FRONT AND REAR FACE.
- 2 RECEPTACLE WILL ACCEPT NINE (9) MULTIMATE PIN CONTACTS.
- 3 WHITE DOT OVER MAJOR KEY, APPROX WHERE SHOWN.
- 4 PRELIMINARY PART NUMBER.

THIS DRAWING IS A CONTROLLED DOCUMENT.

DWN	D.HARDY	05/19/94
CHK	R.STONE	05/20/94
APVD	-	-
PRODUCT SPEC	108-10024	
APPLICATION SPEC	-	
MATERIAL	NYLON, BLACK	FINISH
WEIGHT	-	SCALE
CUSTOMER DRAWING		SCALE 2:1

**TE** TE Connectivity

RECEPTACLE HOUSING, STANDARD  
SEX, SHELL SIZE 13, CPC

SIZE	A2	CAGE CODE	00779	DRAWING NO	C=206705	RESTRICTED TO	-
SHEET	1	OF 1	REV	M			