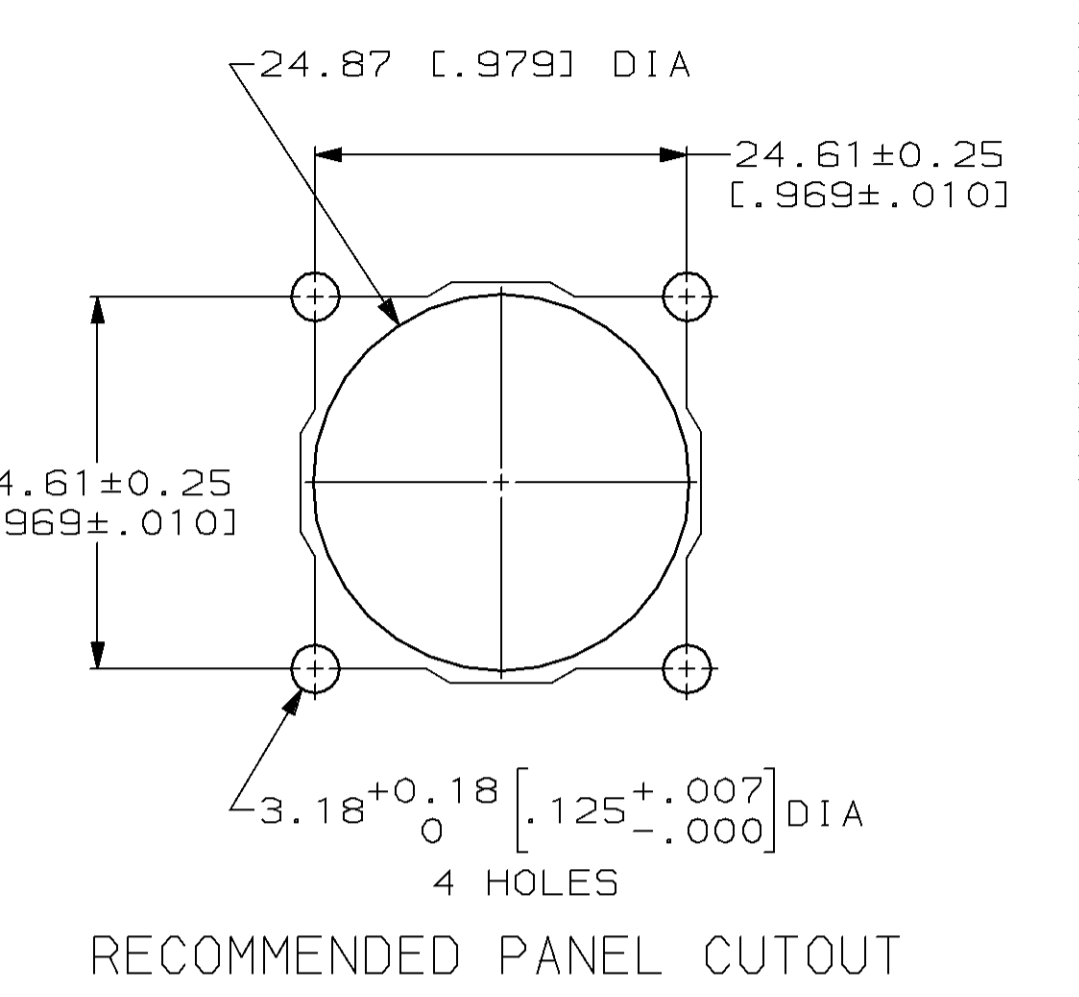
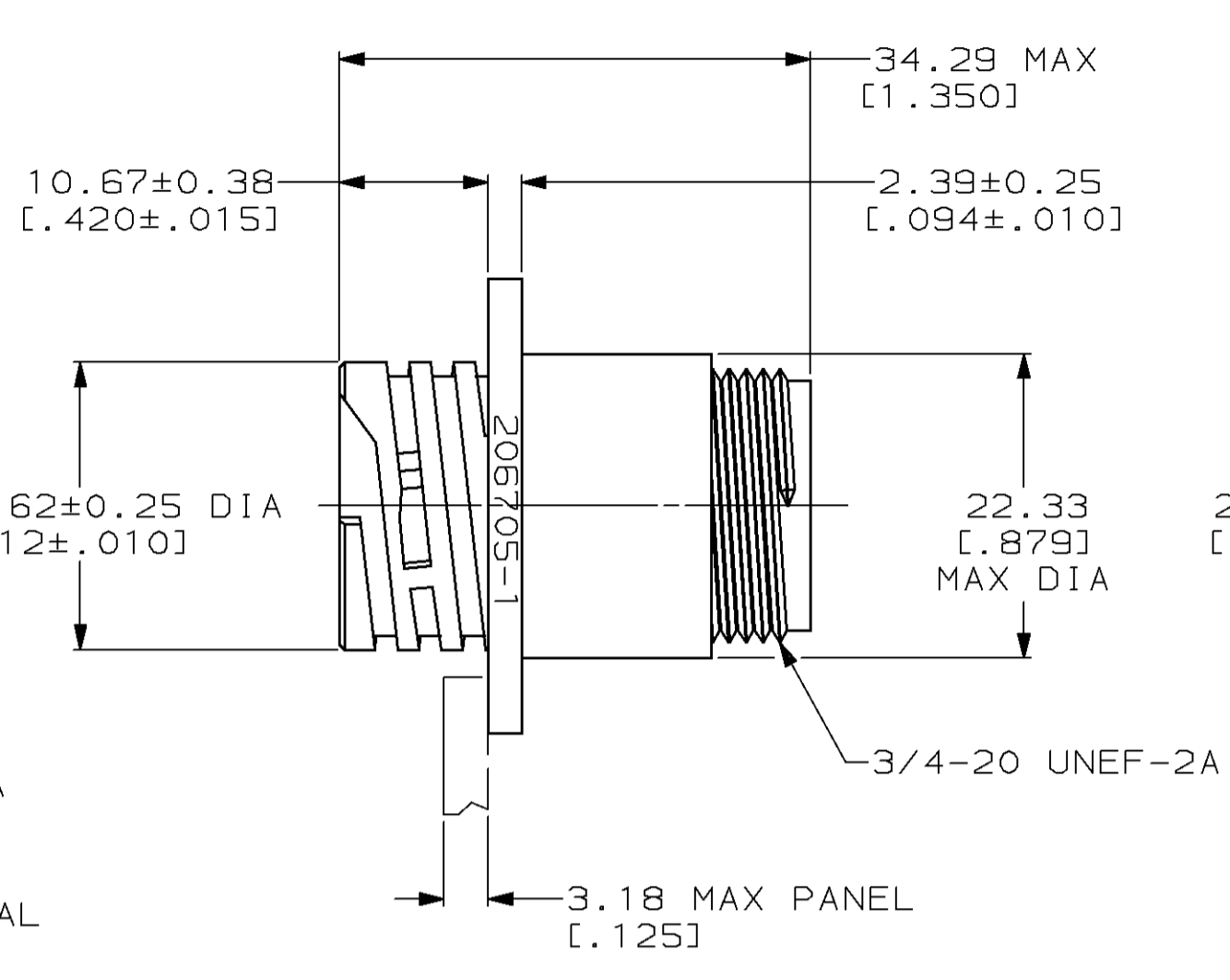
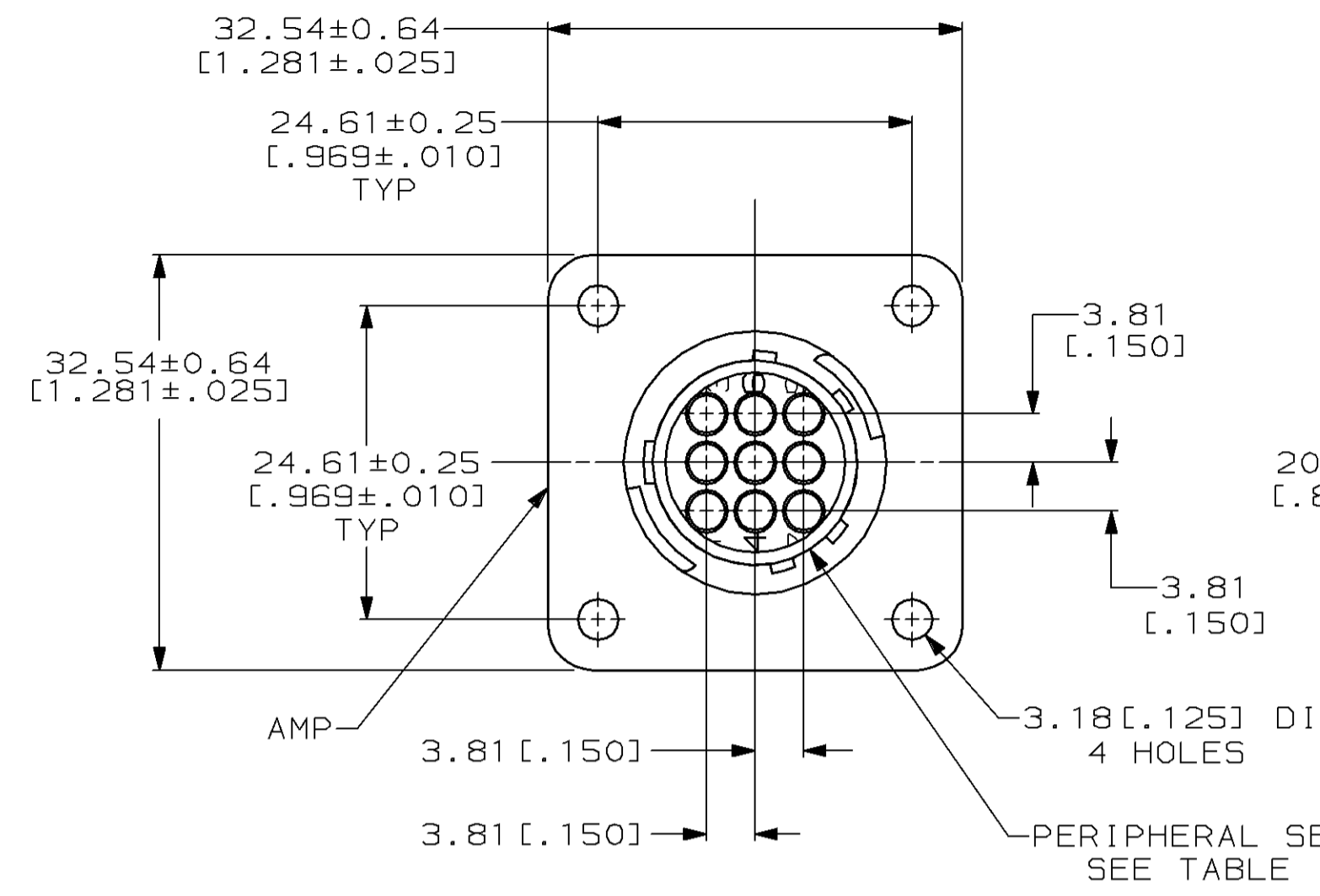
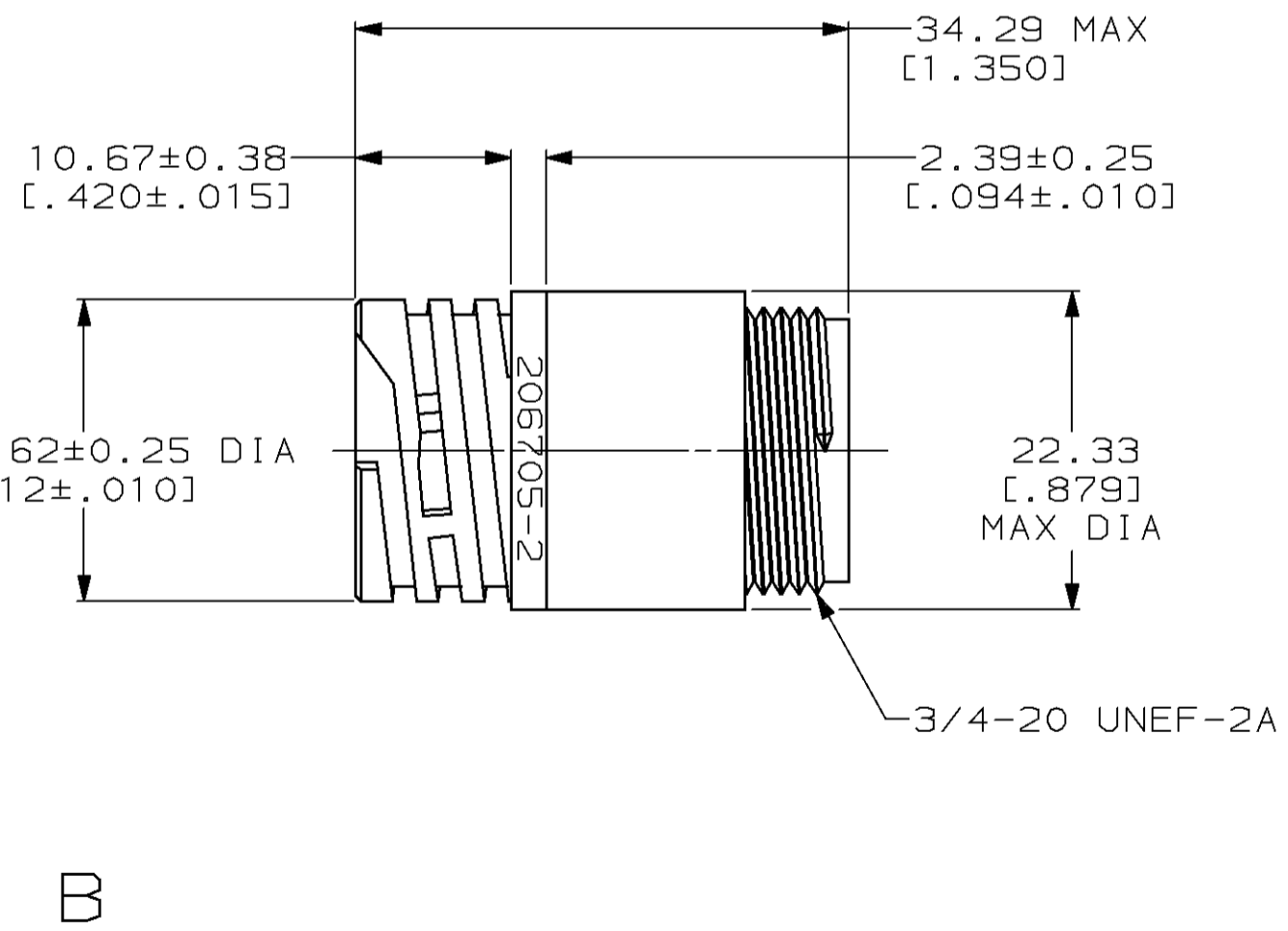
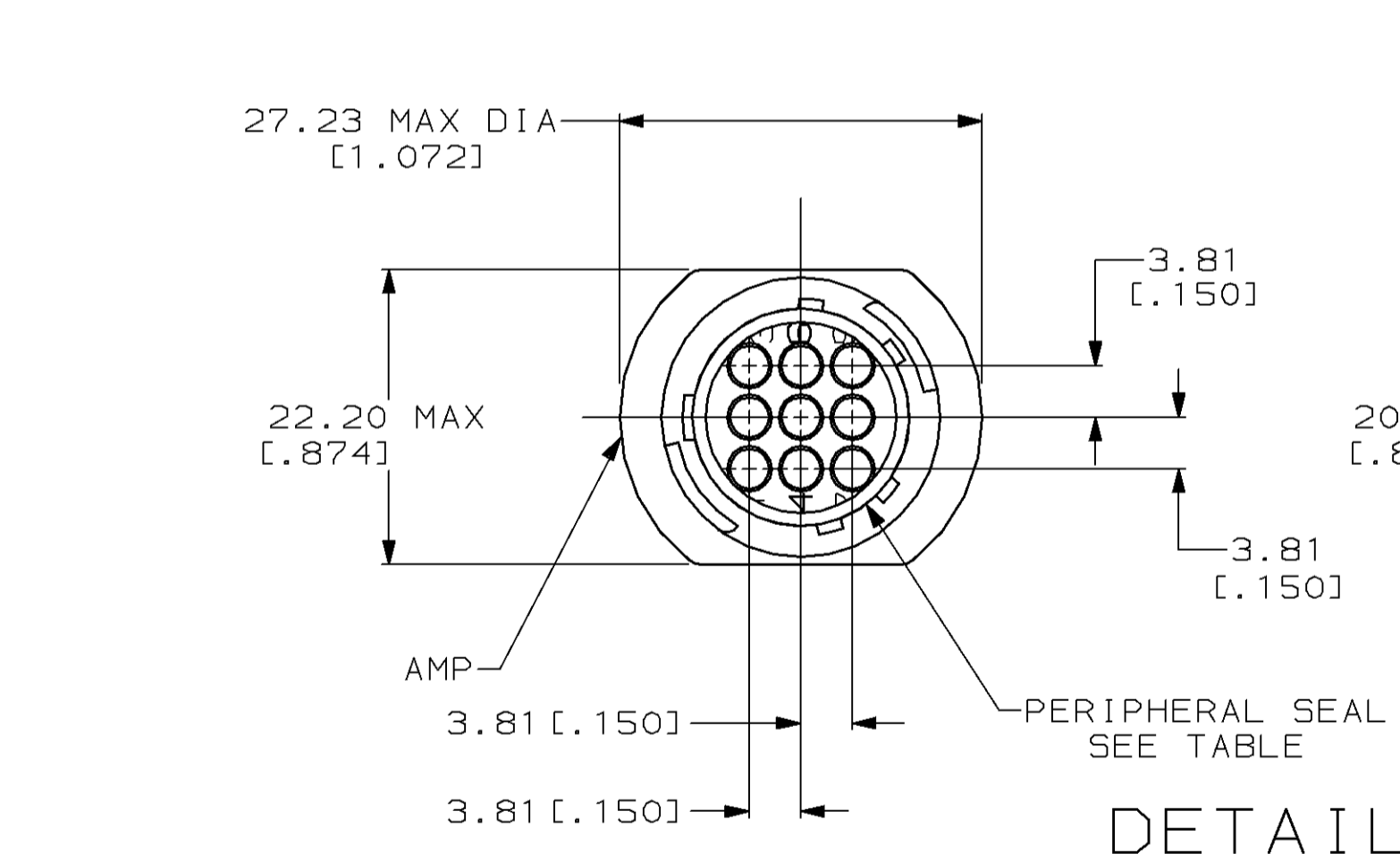


MOD		LOC		DIST		ZONE		LTR		REVISIONS		DATE	APPD
4	BD	35								K	REDRAWN W/O CHANGE PER EC 0020-569-94	05/19/94	-



DETAIL A



DETAIL B

YES	B	206705-4
YES	A	206705-3
NO	B	206705-2
NO	A	206705-1
PERIPHERAL SEAL	SEE DETAIL	PART NUMBER

- CAVITY IDENTIFICATION ON FRONT AND REAR FACE.
- RECEPTACLE WILL ACCEPT NINE (9) MULTIMATE PIN CONTACTS.

DO NOT SCALE PRINT. UNLESS SPECIFIED DIMENSIONS IN mm [INCHES] TOLERANCES ON: 2 PLC DEC ± 0.13 [.005] 3 PLC DEC ± - ANGLES ± -	DR 05/19/94 D.HARDY	AMP Incorporated Harrisburg, PA 17105-3608
	CHK 05/20/94 R.STONE	
MATERIAL NYLON, BLACK	APPD 07/13/94 A.FRANTUM	NAME
	APPD 07/13/94 A.FRANTUM	RECEPTACLE HOUSING, STANDARD SEX, SHELL SIZE 13, CPC
FINISH -	PRODUCT SPEC 108-10024	SIZE
	APPLICATION SPEC -	CAGE CODE
	WEIGHT -	DRAWING NO
		SCALE
		2:1
		SHEET
		1 OF 1

THIS DRAWING IS A CONTROLLED DOCUMENT FOR AMP INCORPORATED. IT IS SUBJECT TO CHANGE AND THE CONTROLLING ENGINEERING ORGANIZATION SHOULD BE CONTACTED FOR THE LATEST REVISION.