



Have a Question?  
Chat with a Product Information Specialist

What can we help you find?

Products Industries Resources About TE My Account Innovation Support Center

206838-1 Product Details

Share Print Email



206838-1

TE Internal Number: 206838-1

Active

View 3D PDF

CPC (Circular Plastic) and Circular Metal-Shell Connectors

Always EU RoHS/ELV Compliant (Statement of Compliance)

Product Highlights:

- Housing
- Connector Style = Receptacle
- 24 Positions
- 24 Signal Positions
- 0 Power Positions

View all Features

Quick Links

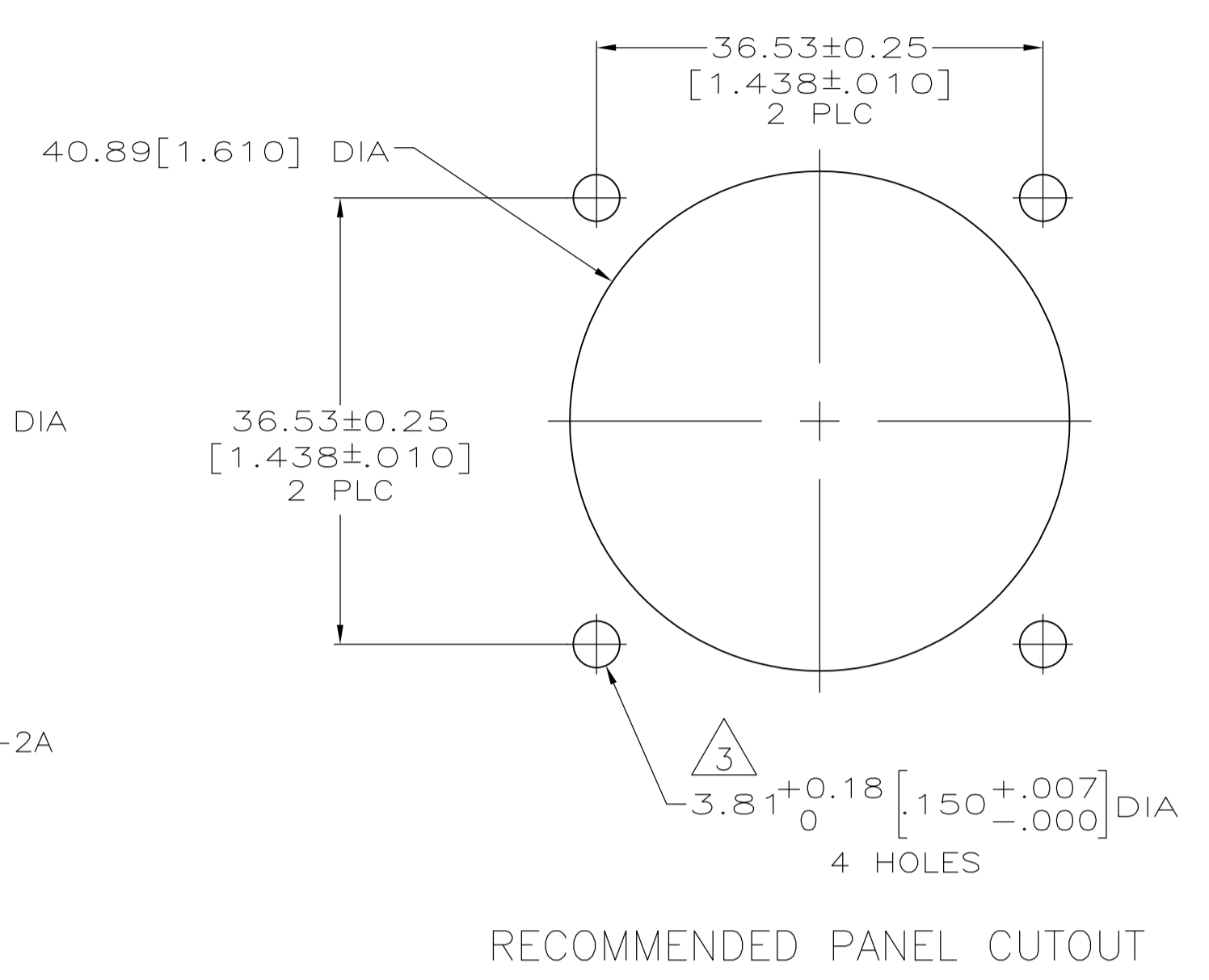
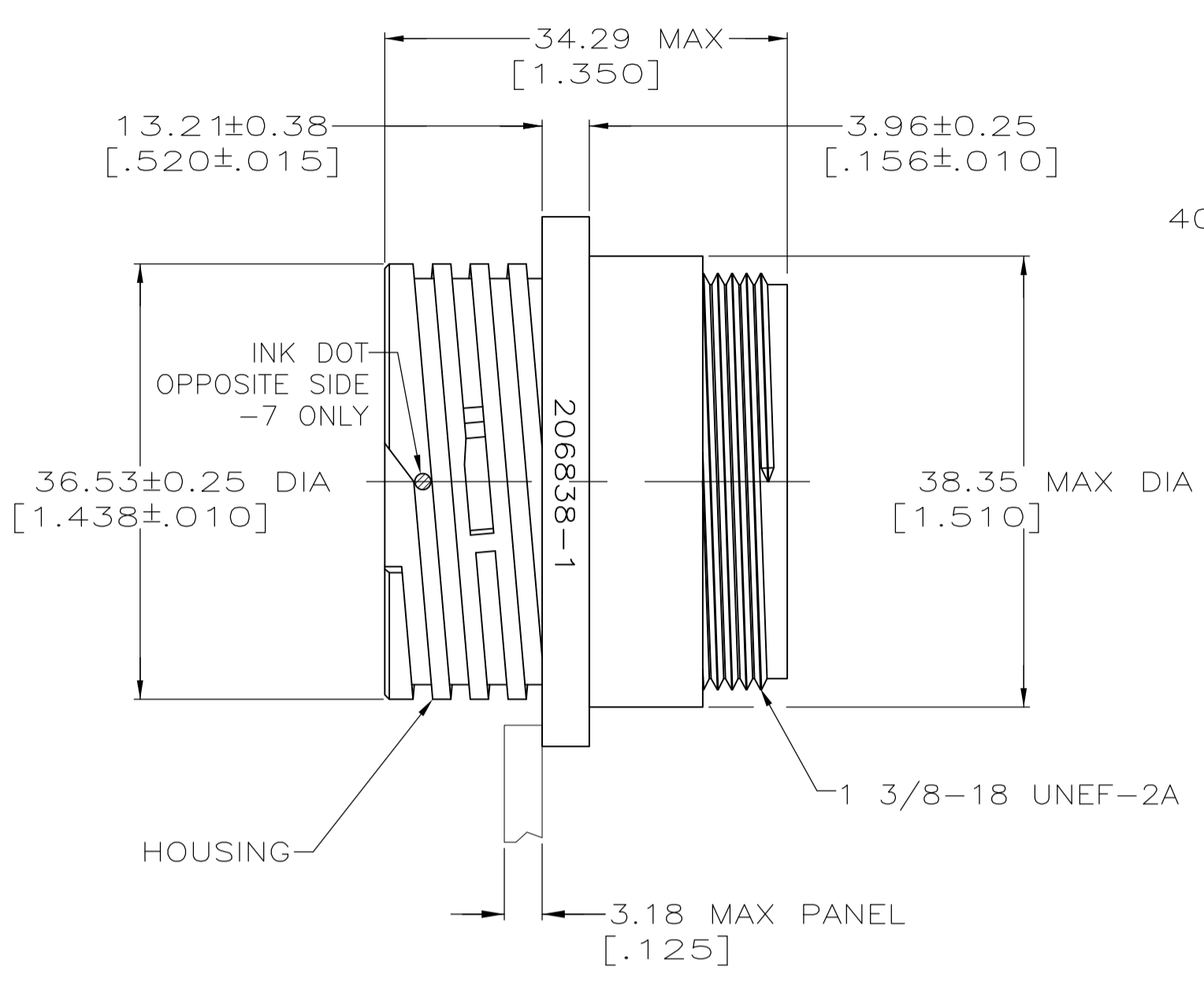
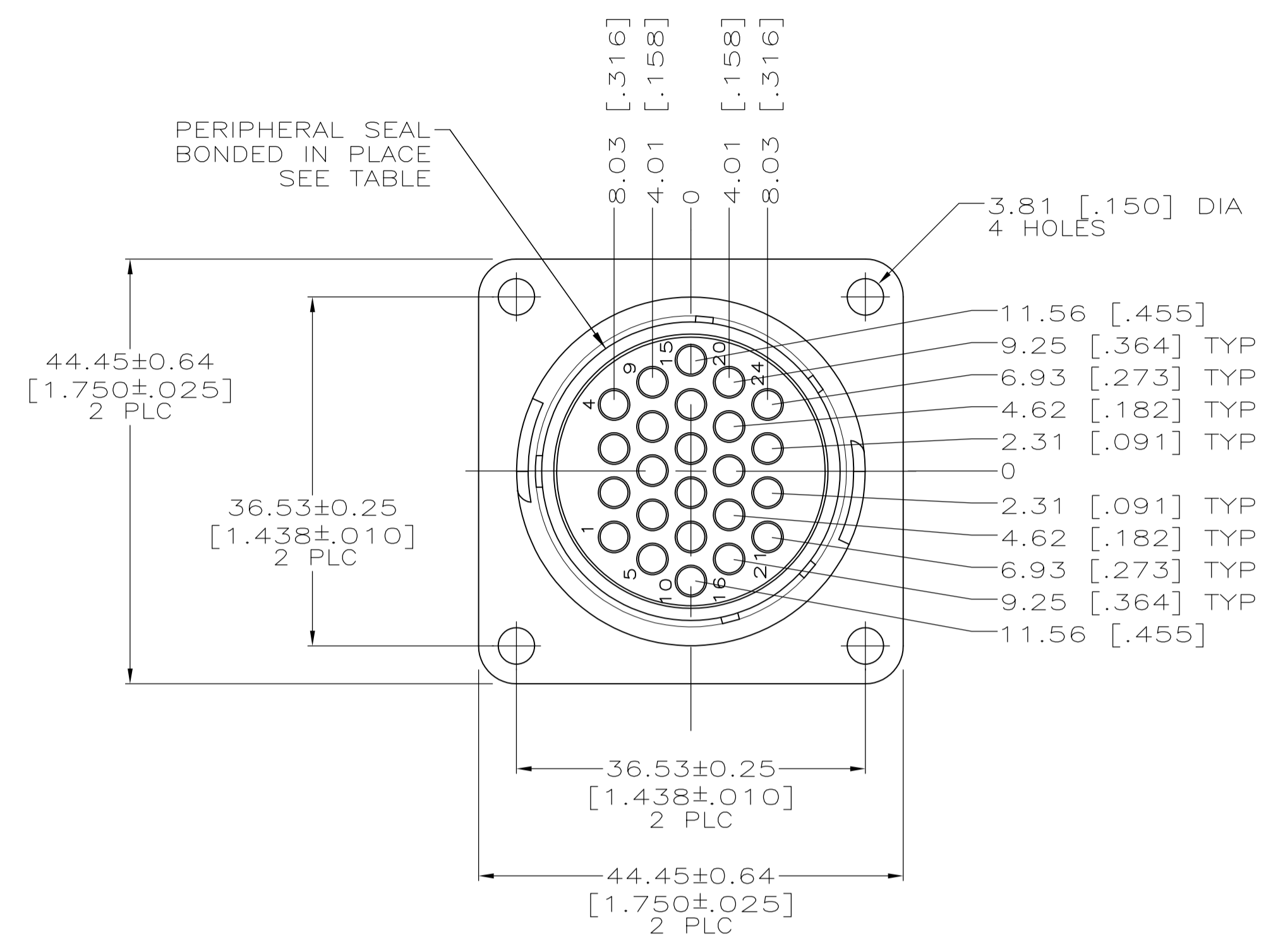
- ▶ Pricing & Availability
- ▶ Search for Tooling
- ▶ View Mating Products (3)
- ▶ Product Feature Selector
- ▶ Contact Us About This Product

Add to My Part List Request Sample Find Similar Products Buy Product

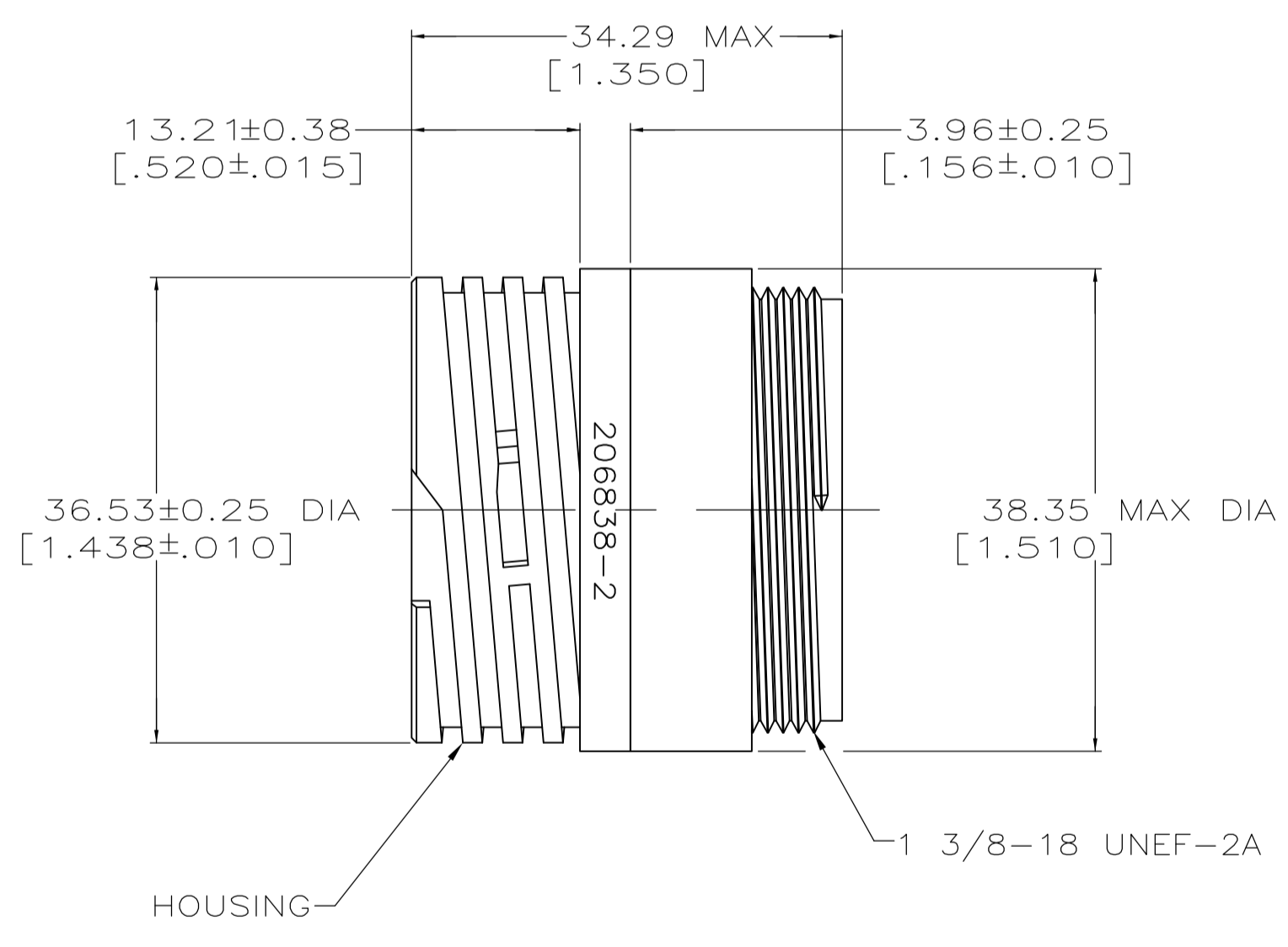
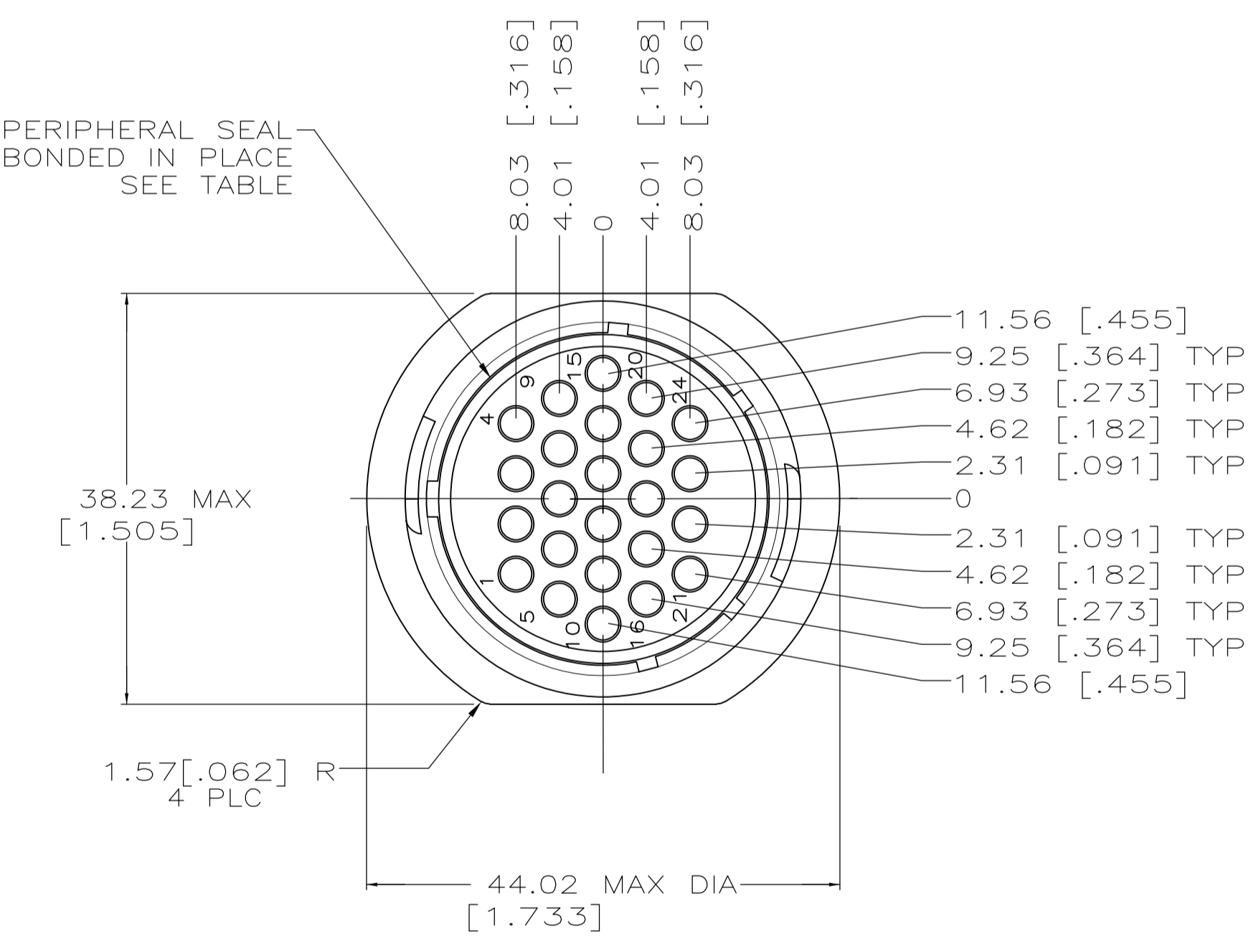
Documentation & Additional Information	
<p><b>Product Drawings:</b></p> <ul style="list-style-type: none"> <li>• RECEPTACLE HOUSING, STANDARD SEX, SHELL SIZE 23, CPC (PDF, English)</li> </ul> <p><b>Catalog Pages/Data Sheets:</b></p> <ul style="list-style-type: none"> <li>• AMP Circular Connectors for Commercial Signal &amp; Powe... (PDF, English)</li> </ul> <p><b>Product Specifications:</b></p> <ul style="list-style-type: none"> <li>• None Available</li> </ul> <p><b>Application Specifications:</b></p> <ul style="list-style-type: none"> <li>• Circular Plastic Connectors (CPC) (PDF, English)</li> </ul> <p><b>Instruction Sheets:</b></p> <ul style="list-style-type: none"> <li>• Circular Plastic Connectors (CPC) (PDF, English)</li> </ul> <p><b>CAD Files:</b> (CAD Format &amp; Compression Information)</p> <ul style="list-style-type: none"> <li>• 2D Drawing (DXF, Version AF)</li> <li>• 3D Model (IGES, Version AF)</li> <li>• 3D Model (STEP, Version AF)</li> </ul>	<p><b>Additional Product Images:</b></p> <ul style="list-style-type: none"> <li>• Contact Arrangement</li> <li>• Keying Options</li> </ul> <p><b>Related Products:</b></p> <ul style="list-style-type: none"> <li>• Tooling</li> <li>• Mating Products (3)</li> </ul>

List all Documents

Product Features (Please use the Product Drawing for all design activity)	
<p><b>Product Type Features:</b></p> <ul style="list-style-type: none"> <li>• Connector Type = Housing</li> <li>• Mount Angle = Straight</li> <li>• Shell Size = 23</li> <li>• PCB Mount Retention = Without</li> <li>• Shell Type = All Plastic</li> <li>• Product Series = Series 1</li> <li>• Thread Size = 1-3/8 - 18 UNEF-2A</li> <li>• Sealed = No</li> </ul> <p><b>Mechanical Attachment:</b></p> <ul style="list-style-type: none"> <li>• Mount = Panel</li> <li>• Mating Retention Type = Threaded Coupling</li> </ul> <p><b>Body Features:</b></p> <ul style="list-style-type: none"> <li>• Mount Style = Flange with Mounting Holes</li> </ul> <p><b>Contact Features:</b></p> <ul style="list-style-type: none"> <li>• Contact Type = Pin</li> <li>• Reverse Gender = Standard</li> </ul> <p><b>Housing Features:</b></p> <ul style="list-style-type: none"> <li>• Connector Style = Receptacle</li> <li>• Mating Alignment Type = Keyed</li> <li>• Housing Material = Thermoplastic - GF</li> <li>• Housing Color = Black</li> <li>• III Flammability Rating = III 94V-0</li> </ul>	<p><b>Configuration Features:</b></p> <ul style="list-style-type: none"> <li>• Number of Positions = 24</li> <li>• Number of Signal Positions = 24</li> <li>• Number of Power Positions = 0</li> <li>• Environmental Protection = Without</li> <li>• Reverse Numbering = Without</li> </ul> <p><b>Industry Standards:</b></p> <ul style="list-style-type: none"> <li>• VDE Tested = No</li> <li>• RoHS/ELV Compliance = RoHS compliant, ELV compliant</li> <li>• Lead Free Solder Processes = Not relevant for lead free process</li> <li>• RoHS/ELV Compliance History = Always was RoHS compliant</li> </ul> <p><b>Identification Marking:</b></p> <ul style="list-style-type: none"> <li>• Keying = A</li> </ul> <p><b>Environmental:</b></p> <ul style="list-style-type: none"> <li>• Fluid Resistance = None</li> </ul> <p><b>Conditions for Usage:</b></p> <ul style="list-style-type: none"> <li>• Accepts Wire Insulation Diameter, Range (mm [in]) = 3.81 [0.150]</li> </ul> <p><b>Other:</b></p> <ul style="list-style-type: none"> <li>• Brand = AMP</li> </ul>



DETAIL A



DETAIL B

- 1 CAVITY IDENTIFICATION ON FRONT AND REAR FACE.
- 2 WILL ACCEPT (24) MULTIMATE PIN CONTACTS.
- 3 NO 4 FASTENER RECOMMENDED FOR MOUNTING.
- 4 MAXIMUM INSULATION NOT TO EXCEED .150 DIA.
- 5 WHITE DOT NEAR POSITION 1 ON WIRE ENTRY FACE.

STANDARD	YES	A	206838-8
STANDARD	YES	A	206838-7
SMALL PACK	NO	A	206838-5
STANDARD	YES	B	206838-4
STANDARD	YES	A	206838-3
STANDARD	NO	B	206838-2
STANDARD	NO	A	206838-1
PACKAGING	PERIPHERAL SEAL	SEE DETAIL	PART NUMBER

THIS DRAWING IS A CONTROLLED DOCUMENT.

DIMENSIONS: mm [INCHES]	TOLERANCES UNLESS OTHERWISE SPECIFIED:	DIN D.GELTZ 10/29/92	TE Connectivity
0 PLC ± -	1 PLC ± -	CHK R.STONE 08/11/93	RECEPTACLE HOUSING, STANDARD SEX, SHELL SIZE 23, CPC
2 PLC ± ± 0.13 [.005]	3 PLC ± ± -	APVD -	108-10024
4 PLC ± ± -	ANGLES ± ± -	NAME	APPLICATION SPEC
MATERIAL HOUSING: NYLON, BLACK	FINISH -	SIZE	WEIGHT
		A1	00779 C=206838
		CUSTOMER DRAWING	SCALE 2:1 SHEET 1 OF 1 REV L