

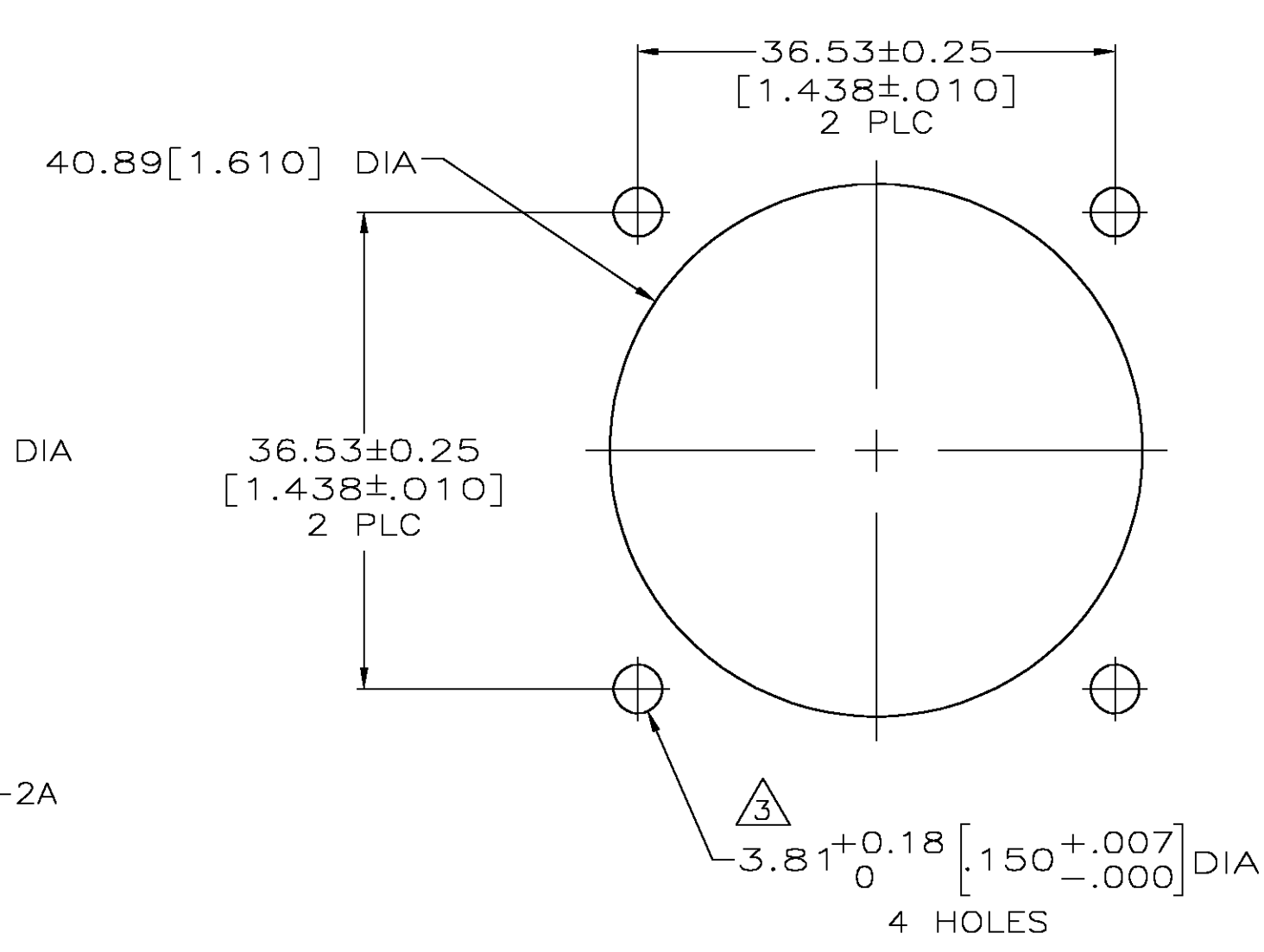
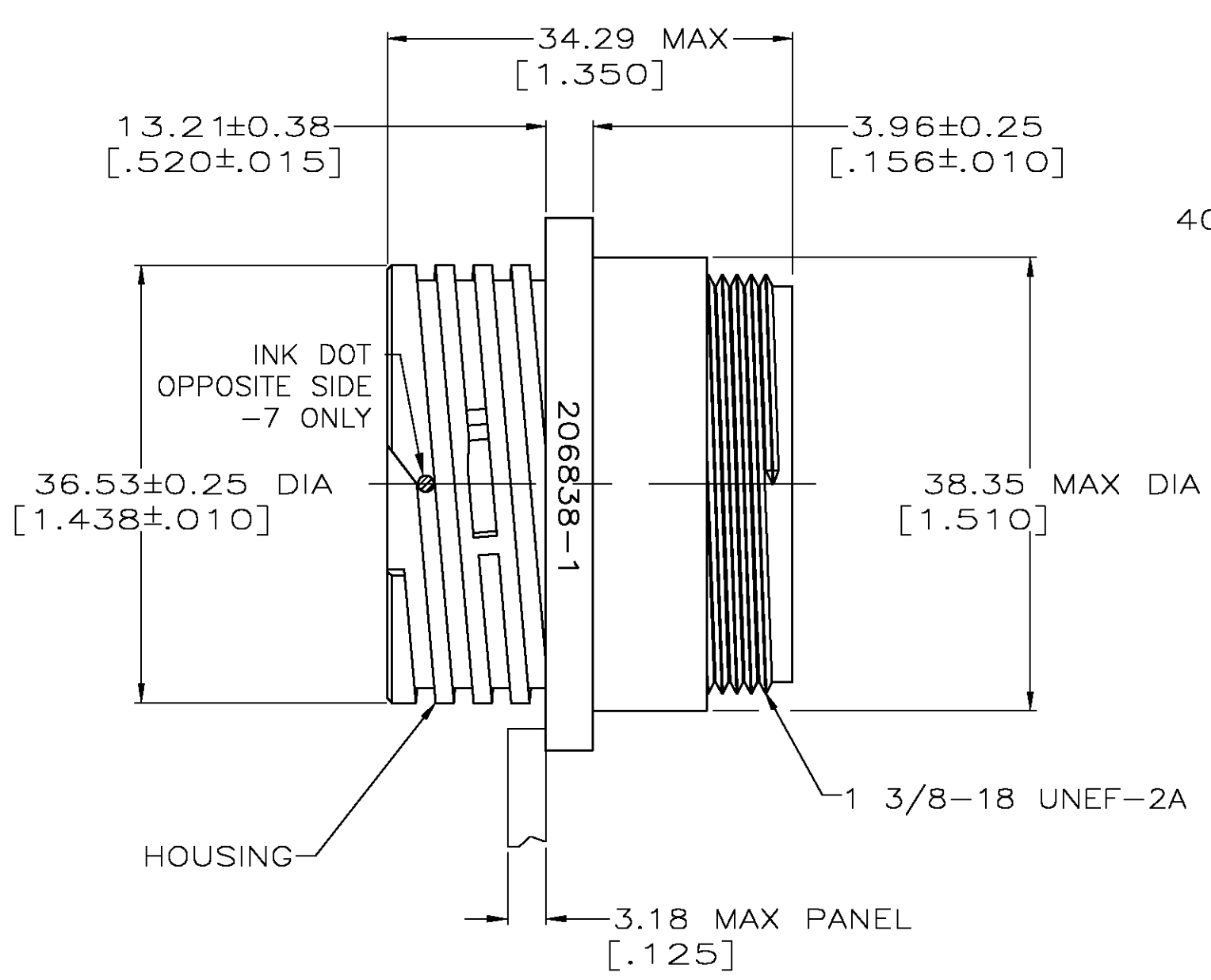
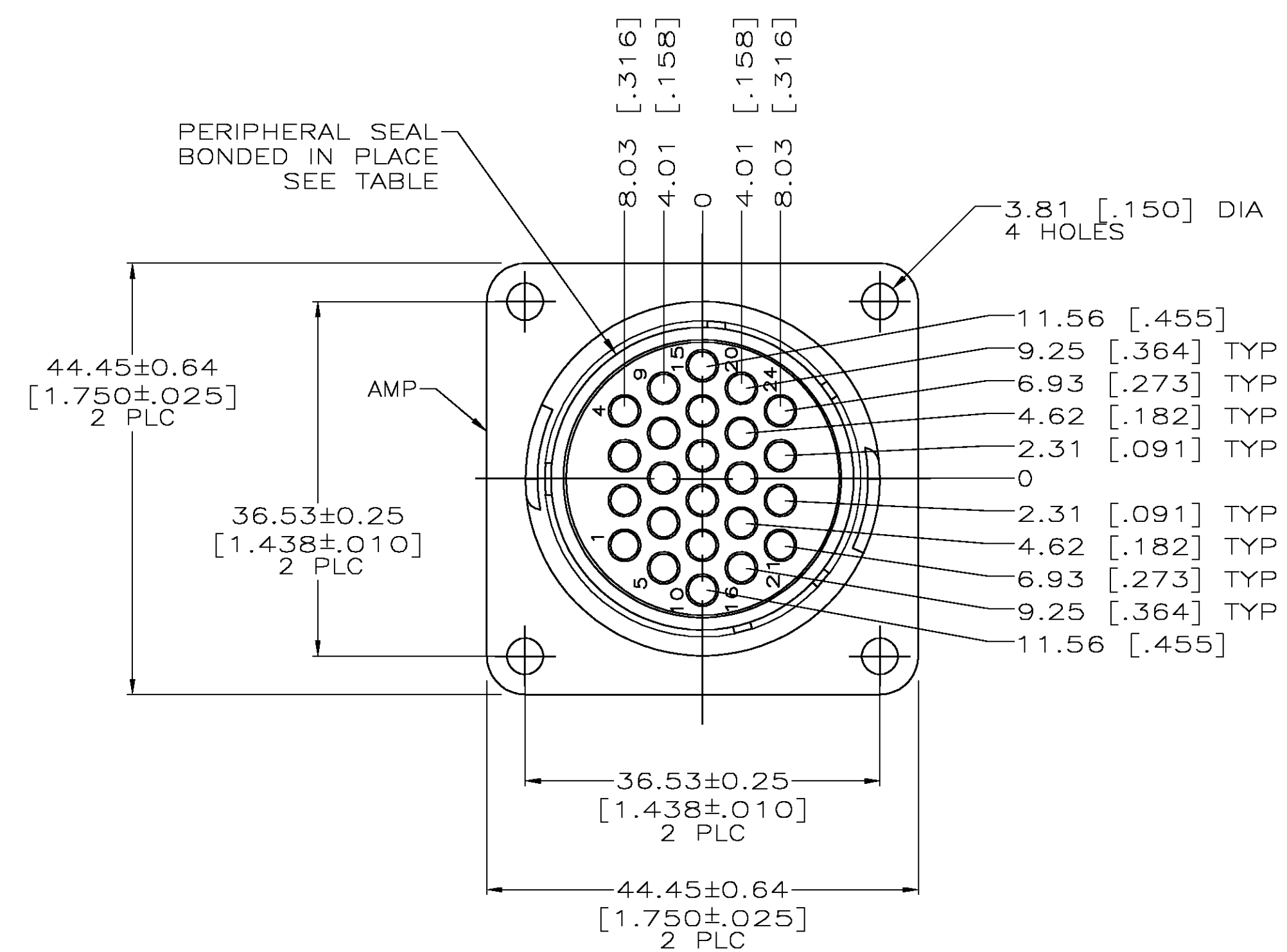
Distributed by:

JAMECO[®]
ELECTRONICS

www.Jameco.com ♦ 1-800-831-4242

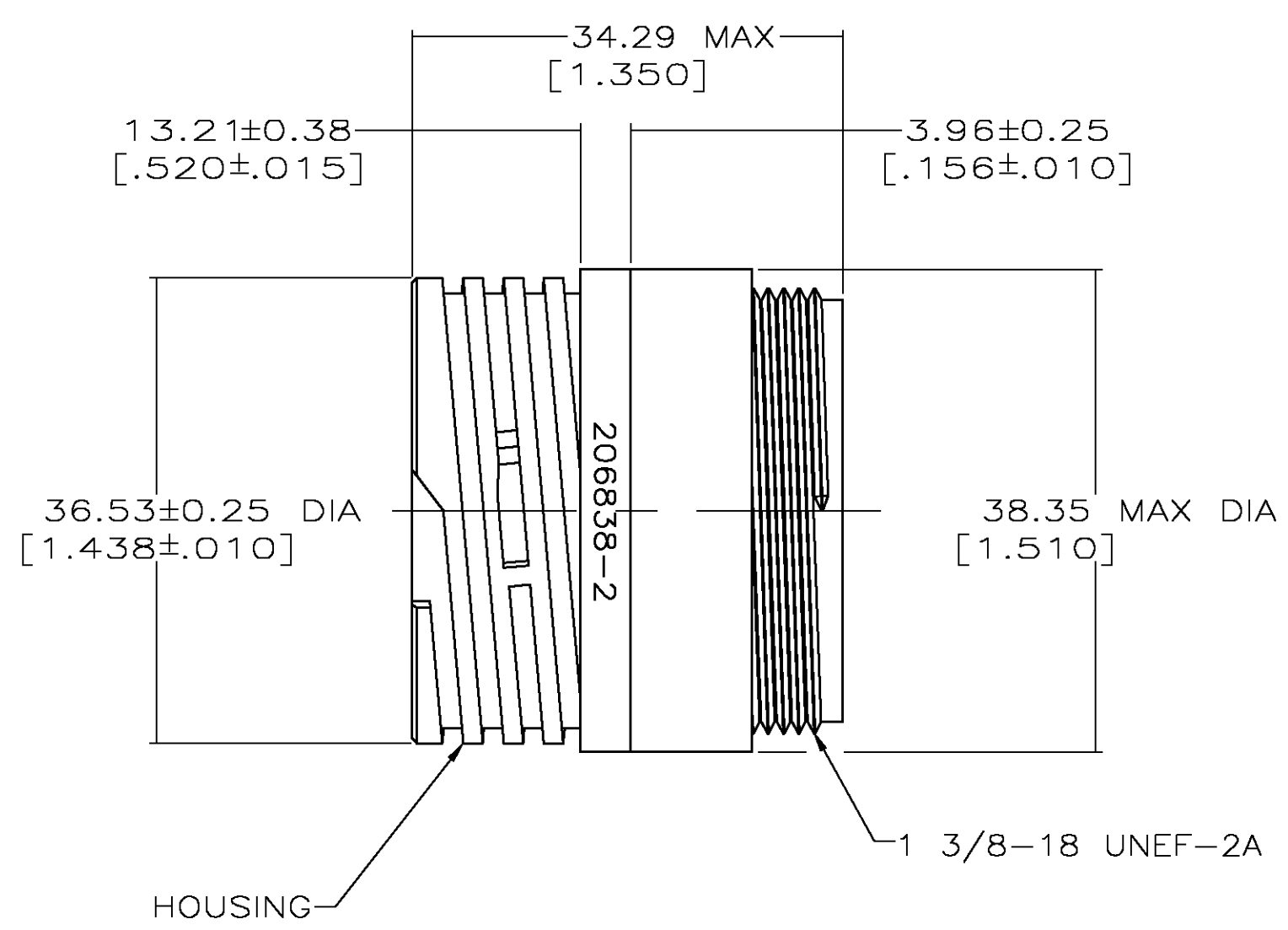
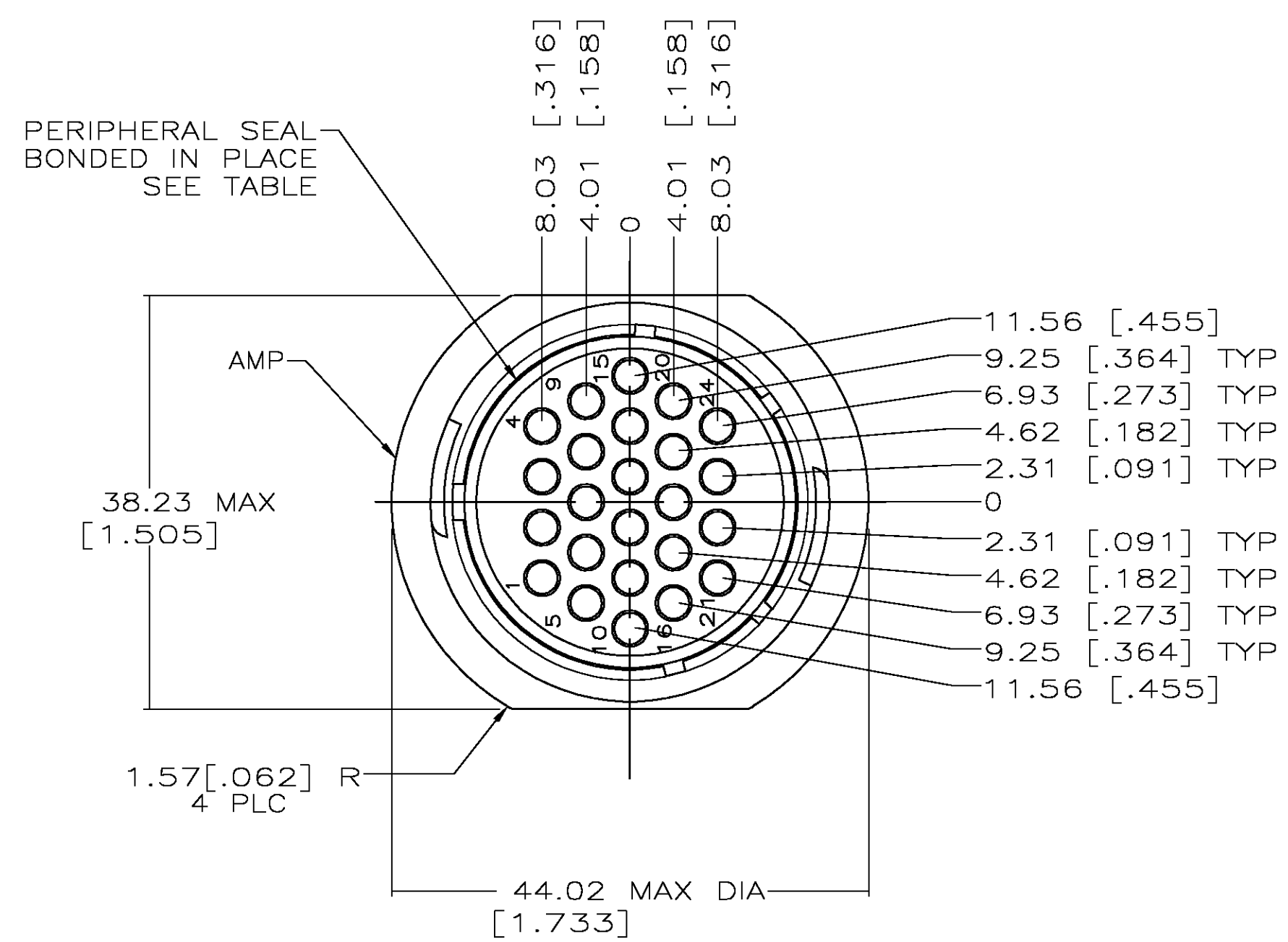
The content and copyrights of the attached
material are the property of its owner.

Jameco Part Number 495251



DETAIL A

RECOMMENDED PANEL CUTOUT



DETAIL B

1. CAVITY IDENTIFICATION ON FRONT AND REAR FACE.
2. WILL ACCEPT (24) MULTIMATE PIN CONTACTS.
3. NO 4 FASTENER RECOMMENDED FOR MOUNTING.
4. MAXIMUM INSULATION NOT TO EXCEED .150 DIA.

STANDARD	YES	A	206838-7
SMALL PACK	NO	A	206838-5
STANDARD	YES	B	206838-4
STANDARD	YES	A	206838-3
STANDARD	NO	B	206838-2
STANDARD	NO	A	206838-1
PACKAGING	PERIPHERAL SEAL	SEE DETAIL	PART NUMBER

THIS DRAWING IS A CONTROLLED DOCUMENT.		DWG D. GELTZ 10/29/92	Tyco Electronics Corporation Harrisburg, Pa 17105-3508	
DIMENSIONS: mm [INCHES]		CHK R. STONE 08/11/93	APVD -	
TOLERANCES UNLESS OTHERWISE SPECIFIED:		NAME -		
0 PLC ± -	1 PLC ± -	PRODUCT SPEC 108-10024		
2 PLC ± 0.13 [.005]	3 PLC ± -	APPLICATION SPEC -		
4 PLC ± -	ANGLES ± -	SIZE CASE CODE DRAWING NO A1 00779 C=206838		
MATERIAL HOUSING: NYLON, BLACK	FINISH -	WEIGHT -		RESTRICTED TO -
CUSTOMER DRAWING		SCALE 2:1	SHEET 1 OF 1	REV K