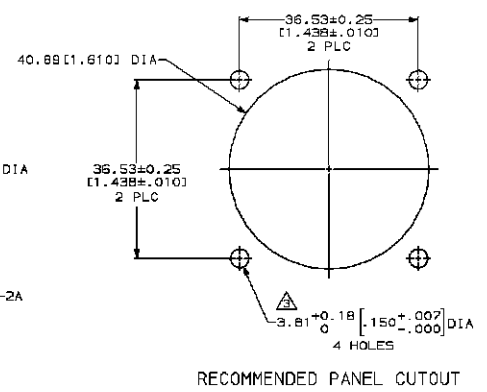
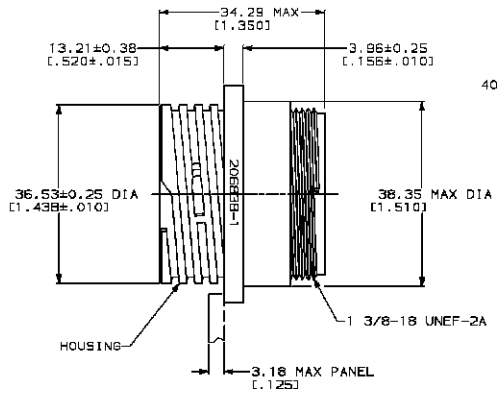
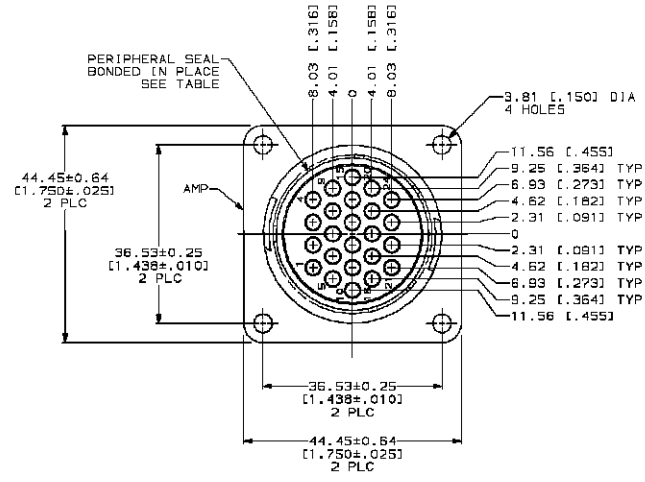
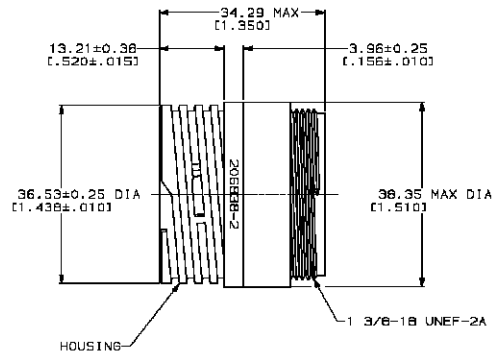
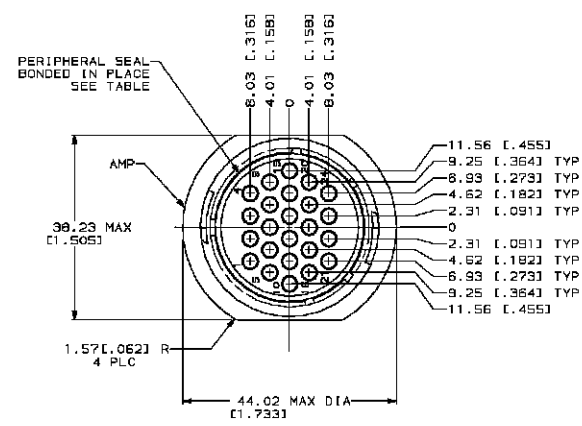


REVISED		DATE		BY		DESCRIPTION	
NO.	DATE	BY	DESCRIPTION	NO.	DATE	BY	DESCRIPTION
4	BD	35					
REVISIONS							
H			REDRAWN ON CAD & ADDED -5 NPR 4832		09/08/08		
J			REACTIVATE -4 PER EC 0020-1075-94		12/05/04		AF



DETAIL A

RECOMMENDED PANEL CUTOUT



DETAIL B

1. CAVITY IDENTIFICATION ON FRONT AND REAR FACE.
2. WILL ACCEPT (24) MULTIMATE PIN CONTACTS.
3. NO 4 FASTENER RECOMMENDED FOR MOUNTING.
4. MAXIMUM INSULATION NOT TO EXCEED .150 DIA.

PACKAGING	PERIPHERAL SEAL	SEE DETAIL	PART NO
SMALL PACK	NO	A	206838-5
STANDARD	YES	B	206838-4
STANDARD	YES	A	206838-3
STANDARD	NO	B	206838-2
STANDARD	NO	A	206838-1

DO NOT SCALE PRINT. UNLESS SPECIFIED DIMENSIONS IN # (INCHES) TOLERANCES ON + 2 PLC DEC ± 0.12 (.030) 3 PLC DEC ± - - ANGLE	DR 10/28/02 D. BELTZ	AMP Incorporated Harrisburg, PA 17105-2808
CHEK 08/11/03 R. STONE	APPD 06/13/03 A. FRANTON	
MATERIAL HOUSING: NYLON, BLACK SEAL: ELASTOMER, GREY	APPD 06/13/03 A. FRANTON	NAME RECEPTACLE HOUSING, STANDARD SEX, SHELL SIZE 23, CPC
PRODUCT SPEC 108-10024	APPLICATION SPEC	SIZE D
FINISH	SCALE 2:1	CAGE CODE 00779
		DRAWING NO C-206838
		SHEET 1 OF 1

THIS DRAWING IS A CONTROLLED DOCUMENT FOR AMP INCORPORATED. IT IS SUBJECT TO CHANGE AND THE CONTROLLING ENGINEERING ORGANIZATION SHOULD BE CONTACTED FOR THE LATEST REVISION.