



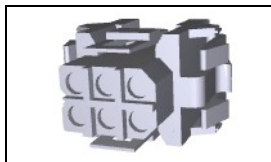
**Have a Question?**  
 Chat with a Product  
 Information Specialist

What can we help you find?

[Products](#) | 
 [Industries](#) | 
 [Resources](#) | 
 [About TE](#) | 
 [My Account](#) | 
 [Innovation](#) | 
 [Support Center](#)

## 207152-1 Product Details

[Share](#) | 
 [Print](#) | 
 [Email](#)



**207152-1**

TE Internal Number: 207152-1

Active

[View 3D PDF](#)

### 5mm (.197") Centerline, 600 V, 14 A max. (Metrimate)

Always EU RoHS/ELV Compliant (Statement of Compliance)

**Product Highlights:**

- Metrimate Product Line
- Wire-to-Board / Wire-to-Panel / Wire-to-Wire
- Applies To Panel, Applies To Printed Circuit Board, Applies To Wire/Cable
- Connector
- Housing

[View all Features](#)

### Quick Links

- ▶ [Pricing & Availability](#)
- ▶ [Search for Tooling](#)
- ▶ [Product Feature Selector](#)
- ▶ [Contact Us About This Product](#)

[Add to My Part List](#) | 
 [Request Sample](#) | 
 [Find Similar Products](#) | 
 [Buy Product](#)

Documentation & Additional Information	
<p><b>Product Drawings:</b></p> <ul style="list-style-type: none"> <li>• <a href="#">HOUSING, PLUG, 6 POSITION, METRIMATE</a> (PDF, English)</li> </ul> <p><b>Catalog Pages/Data Sheets:</b></p> <ul style="list-style-type: none"> <li>• <a href="#">METRIMATE_PIN_SOCKET_CATALOG</a> (PDF, English)</li> </ul> <p><b>Product Specifications:</b></p> <ul style="list-style-type: none"> <li>• None Available</li> </ul> <p><b>Application Specifications:</b></p> <ul style="list-style-type: none"> <li>• <a href="#">APPLICATION SPECIFICATION, METRIMATE DRAWER CONNECTORS</a> (PDF, English)</li> <li>• <a href="#">Metrimate Self-Locking Connectors</a> (PDF, English)</li> <li>• <a href="#">METRIMATE Self-Locking Connectors</a> (PDF, Japanese)</li> </ul> <p><b>Instruction Sheets:</b></p> <ul style="list-style-type: none"> <li>• <a href="#">Self-Locking Metrimate Connectors</a> (PDF, English)</li> </ul> <p><b>CAD Files:</b> (CAD Format &amp; Compression Information)</p> <ul style="list-style-type: none"> <li>• <a href="#">2D Drawing</a> (DXF, Version U)</li> <li>• <a href="#">3D Model</a> (IGES, Version U)</li> <li>• <a href="#">3D Model</a> (STEP, Version U)</li> </ul> <p style="text-align: right;"><a href="#">List all Documents</a></p>	<p><b>Additional Information:</b></p> <ul style="list-style-type: none"> <li>• <a href="#">Product Line Information</a></li> </ul> <p><b>Related Products:</b></p> <ul style="list-style-type: none"> <li>• <a href="#">Tooling</a></li> </ul>

Product Features (Please use the Product Drawing for all design activity)	
<p><b>Product Type Features:</b></p> <ul style="list-style-type: none"> <li>• Product Line = Metrimate</li> <li>• Product Type = Connector</li> <li>• Connector Type = Housing</li> <li>• Wire/Cable Type = Discrete Wire</li> <li>• Termination Method to Wire/Cable = Crimp, Solder</li> <li>• UL File Number = E28476</li> <li>• CSA File Number = LR 16455</li> </ul> <p><b>Mechanical Attachment:</b></p> <ul style="list-style-type: none"> <li>• Mating Retention Type = Locking Latch</li> <li>• Panel Mount Retention = With</li> <li>• Panel Mount Retention Type = Latch(es)</li> </ul> <p><b>Electrical Characteristics:</b></p> <ul style="list-style-type: none"> <li>• Operating Voltage Reference = AC/DC</li> <li>• Operating Voltage (VAC) = 600</li> <li>• Operating Voltage (VDC) = 600</li> </ul> <p><b>Dimensions:</b></p> <ul style="list-style-type: none"> <li>• Panel Thickness (mm [in]) = 0.76 - 2.29 [0.030 - 0.090]</li> </ul> <p><b>Body Features:</b></p> <ul style="list-style-type: none"> <li>• Wire Type = Stranded</li> </ul>	<p><b>Configuration Features:</b></p> <ul style="list-style-type: none"> <li>• <a href="#">Connector Configuration</a> = Square Grid</li> <li>• <a href="#">Number of Positions</a> = 6</li> <li>• <a href="#">Number of Rows</a> = 3</li> </ul> <p><b>Industry Standards:</b></p> <ul style="list-style-type: none"> <li>• <a href="#">RoHS/ELV Compliance</a> = RoHS compliant, ELV compliant</li> <li>• <a href="#">Lead Free Solder Processes</a> = Not relevant for lead free process</li> <li>• <a href="#">RoHS/ELV Compliance History</a> = Always was RoHS compliant</li> <li>• <a href="#">VDE Tested</a> = Yes</li> <li>• <a href="#">Agency/Standard</a> = CSA, UL</li> <li>• <a href="#">UL Rating</a> = Certified, Recognized</li> </ul> <p><b>Environmental:</b></p> <ul style="list-style-type: none"> <li>• <a href="#">Operating Temperature</a> (°C [°F]) = -55 - +130 [-67 - +266]</li> </ul> <p><b>Conditions for Usage:</b></p> <ul style="list-style-type: none"> <li>• <a href="#">Applies To</a> = Panel, Printed Circuit Board, Wire/Cable</li> <li>• <a href="#">For Use With</a> = Receptacle Housing, Pin Header</li> </ul> <p><b>Operation/Application:</b></p> <ul style="list-style-type: none"> <li>• <a href="#">Application Use</a> = Wire-to-Board / Wire-to-Panel / Wire-to-Wire</li> </ul> <p><b>Packaging Features:</b></p>

<ul style="list-style-type: none"> <li>Mating Retention = With</li> <li>Row-to-Row Spacing (mm [in]) = 5.00 [0.197]</li> </ul> <p><b>Contact Features:</b></p> <ul style="list-style-type: none"> <li>Contact Type = Socket</li> <li>Contact Layout = Matrix</li> </ul> <p><b>Housing Features:</b></p> <ul style="list-style-type: none"> <li>Connector Style = Plug</li> <li>Housing Material = Nylon</li> <li>Housing Color = Red</li> <li>Mating Alignment = With</li> <li>Mating Alignment Type = Polarization</li> <li>Centerline (mm [in]) = 5.00 [0.197]</li> <li>UL Flammability Rating = UL 94V-0</li> </ul>	<p><b>Mating Features:</b></p> <ul style="list-style-type: none"> <li>Packaging Method = Package</li> <li>Packaging Quantity = 1</li> </ul> <p><b>Other:</b></p> <ul style="list-style-type: none"> <li>Brand = AMP</li> </ul>
--	--

**Corporate Information**

- [About TE](#)
- [Investors](#)
- [News Room](#)
- [Supplier Portal](#)
- [Careers](#)
- [Terms & Conditions](#)
- [Privacy Policy](#)

**Quick Links**

- [Distributor Inventory](#)
- [Product Cross Reference](#)
- [Documents & Drawings](#)
- [Product Compliance Support Center](#)
- [Site Map](#)

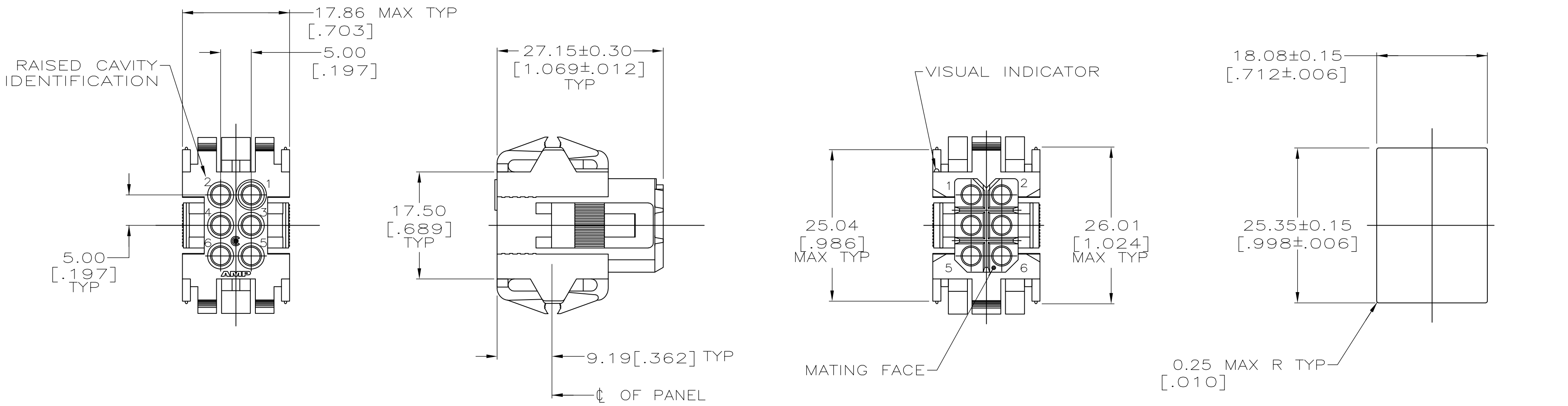
**Customer Support**

- [Email or Chat With Us](#)
- [Find a Phone Number](#)
- [Knowledge Base](#)
- [Manage Your Account](#)

**Keep Me Informed**



LOC	DIST	P	F	ZONE	LTR	DESCRIPTION	DATE	APPD
FT	0				U	REVISE PER ECN 0G3B-0002-01	25JAN01	SU/HS
					U1	REVISED PER ECO-09-021826	11SEP09	KK/AEG



PANEL CUTOUT

- 1. PANEL RETENTION MECHANISM ACCOMMODATES PANEL THICKNESSES FROM 0.76[.030] TO 2.29[.090].
- 2 SAME AS 207152-1 EXCEPT: ROUNDED EDGES ON THE OUTSIDE OF THE HOUSING AND A 45° ANGLE ON THE OUTSIDE OF THE HOUSING BY THE LOCKING LATCHES, REF 927674.
- 3 OBSOLETE PARTS: OBSOLETE CIS STREAMLINING PER D.RENAUD/D.SINISI

3	OBSOLETE	2	207152-2
			207152-1
PART NUMBER			

DO NOT SCALE PRINT. UNLESS SPECIFIED DIMENSIONS IN mm [INCHES] TOLERANCES ON :		DR 08/26/92 W.LENKER		AMP Incorporated Harrisburg, PA 17105-3608	
2 PLC DEC ± 0.25 [.010]		CHK 8-31-92 R.STONE			
3 PLC DEC ± -		APPD 9-2-92 A.TRAVIS		NAME	
ANGLES ± -		APPD 9-3-92 C.ROHDE		HOUSING, PLUG, 6 POSITION, METRIMATE	
MATERIAL		PRODUCT SPEC			
NYLON, COLOR: RED		108-10033		SIZE	
FINISH		APPLICATION SPEC		CAGE CODE	
-		-		00779	
WEIGHT		-		DRAWING NO	
-		-		C-207152	
		SCALE 2:1		SHEET 1 OF 1	

THIS DRAWING IS A CONTROLLED DOCUMENT FOR AMP INCORPORATED. IT IS SUBJECT TO CHANGE AND THE CONTROLLING ENGINEERING ORGANIZATION SHOULD BE CONTACTED FOR THE LATEST REVISION.