

Distributed by:

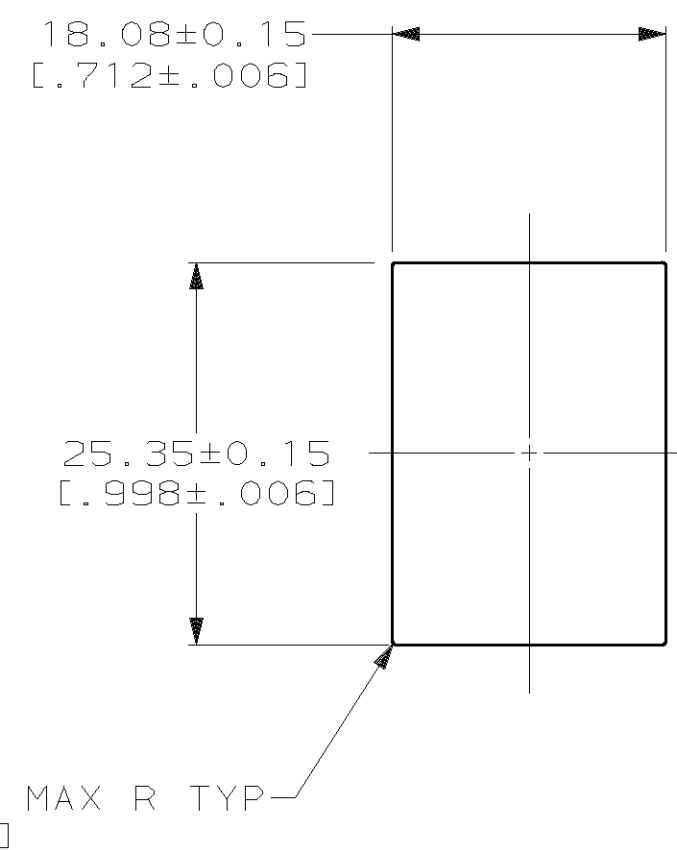
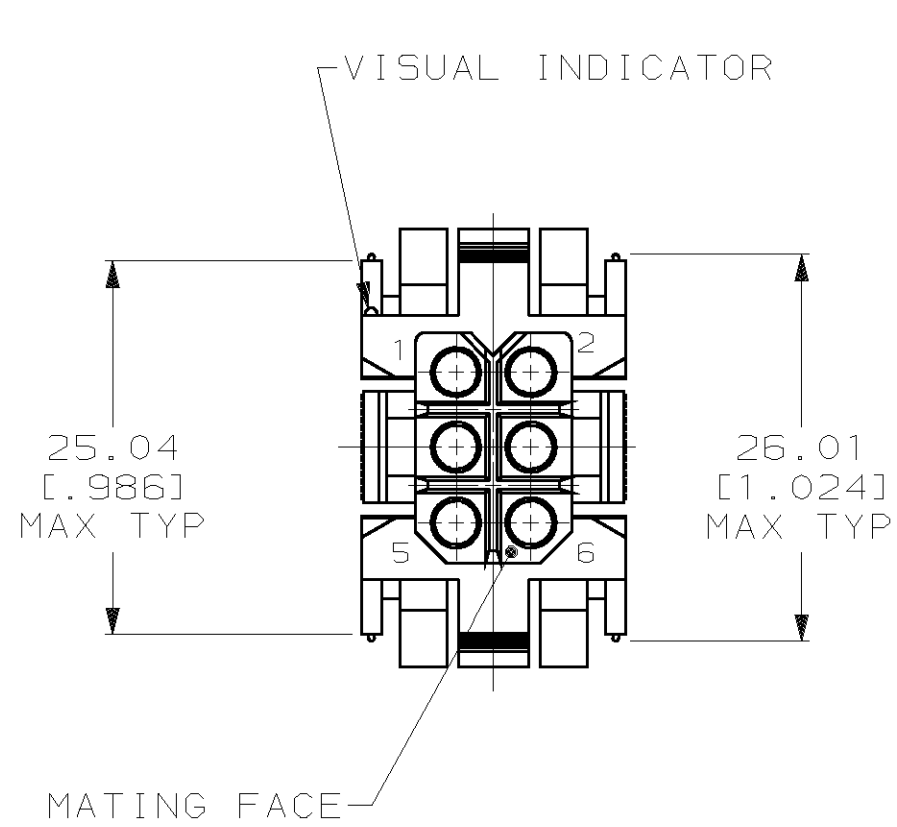
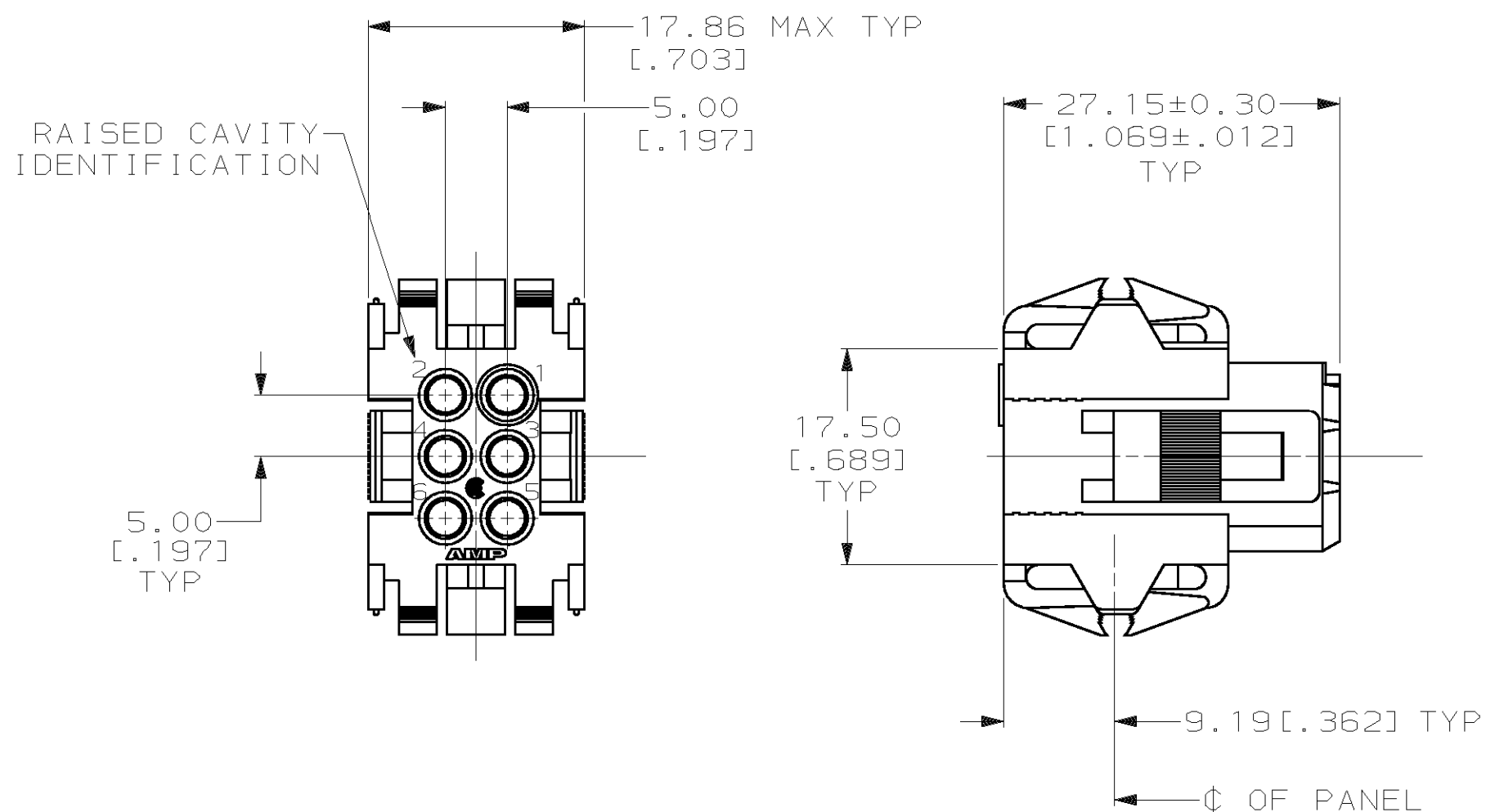
JAMECO[®]
ELECTRONICS

www.Jameco.com ♦ 1-800-831-4242

The content and copyrights of the attached
material are the property of its owner.

Jameco Part Number 744456

LOC	DIST	P	F	ZONE	LTR	REVISIONS	DATE	APPD
FT	0				U	REVISE PER ECN 063B-0002-01	25JAN01	SU/H5



PANEL CUTOUT

- PANEL RETENTION MECHANISM ACCOMMODATES PANEL THICKNESSES FROM 0.76 [.030] TO 2.29 [.090].
- SAME AS 207152-1 EXCEPT: ROUNDED EDGES ON THE OUTSIDE OF THE HOUSING AND A 45° ANGLE ON THE OUTSIDE OF THE HOUSING BY THE LOCKING LATCHES, REF 927674.

2	207152-2
	207152-1
	PART NUMBER

DO NOT SCALE PRINT. UNLESS SPECIFIED DIMENSIONS IN mm [INCHES] TOLERANCES ON : 2 PLC DEC ± 0.25 [.010] 3 PLC DEC ± - ANGLES ± -		DR 08/26/92 W.LENKER CHK 8-31-92 R.STONE APPD 9-2-92 A.TRAVIS APPD 9-3-92 C.ROHDE		AMP Incorporated Harrisburg, PA 17105-3608 NAME HOUSING, PLUG, 6 POSITION, METRIMATE	
MATERIAL NYLON, COLOR: RED		PRODUCT SPEC 108-10033		SIZE C 00779 C=207152	
FINISH -		APPLICATION SPEC -		SCALE 2:1	
WEIGHT -				SHEET 1 OF 1	

THIS DRAWING IS A CONTROLLED DOCUMENT FOR AMP INCORPORATED. IT IS SUBJECT TO CHANGE AND THE CONTROLLING ENGINEERING ORGANIZATION SHOULD BE CONTACTED FOR THE LATEST REVISION.