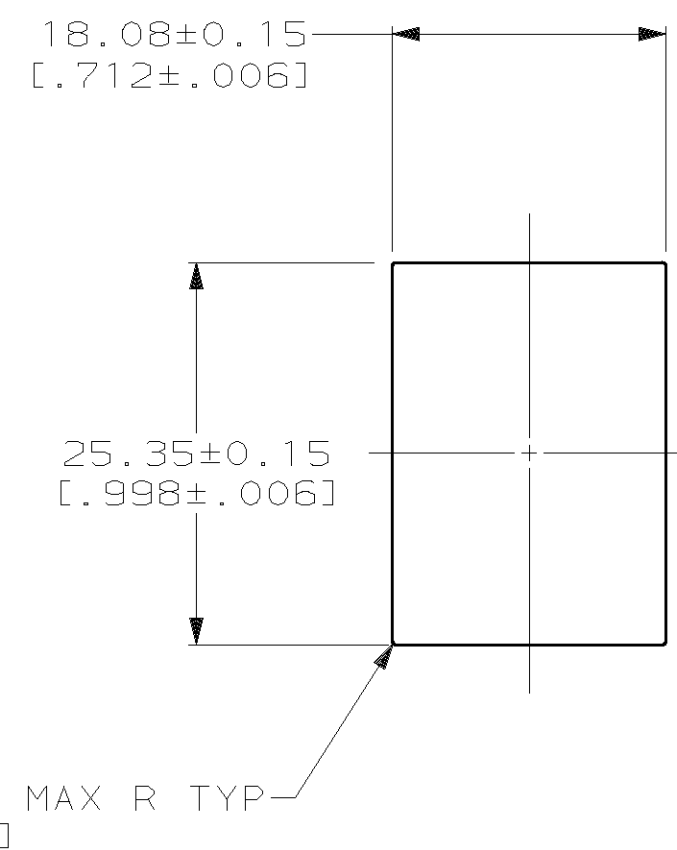
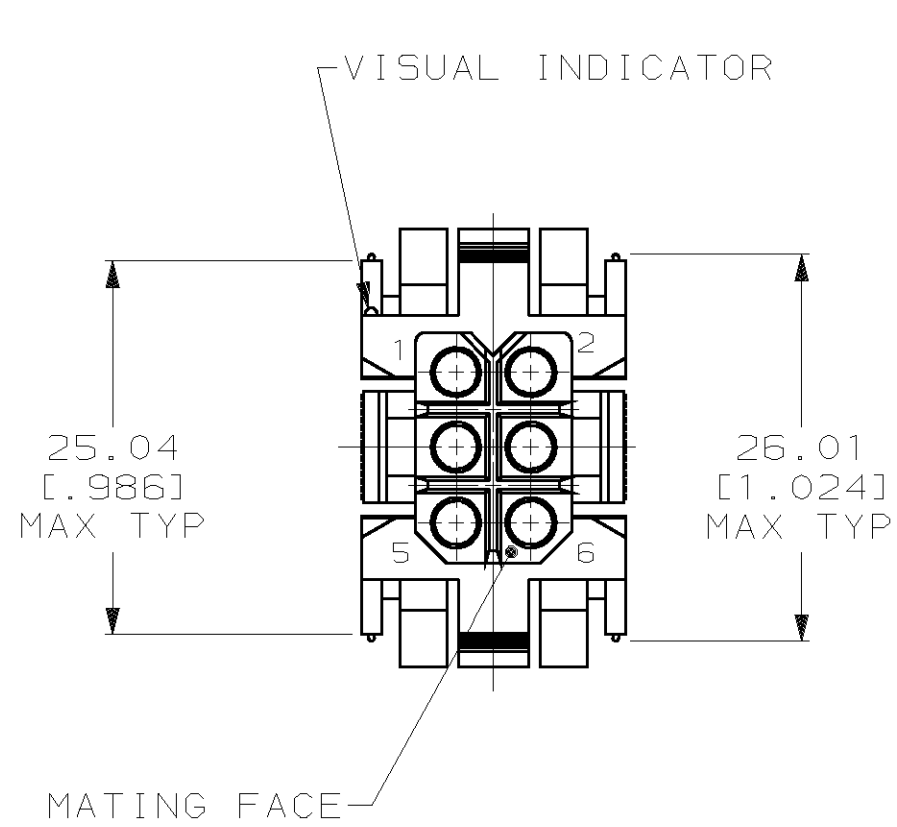
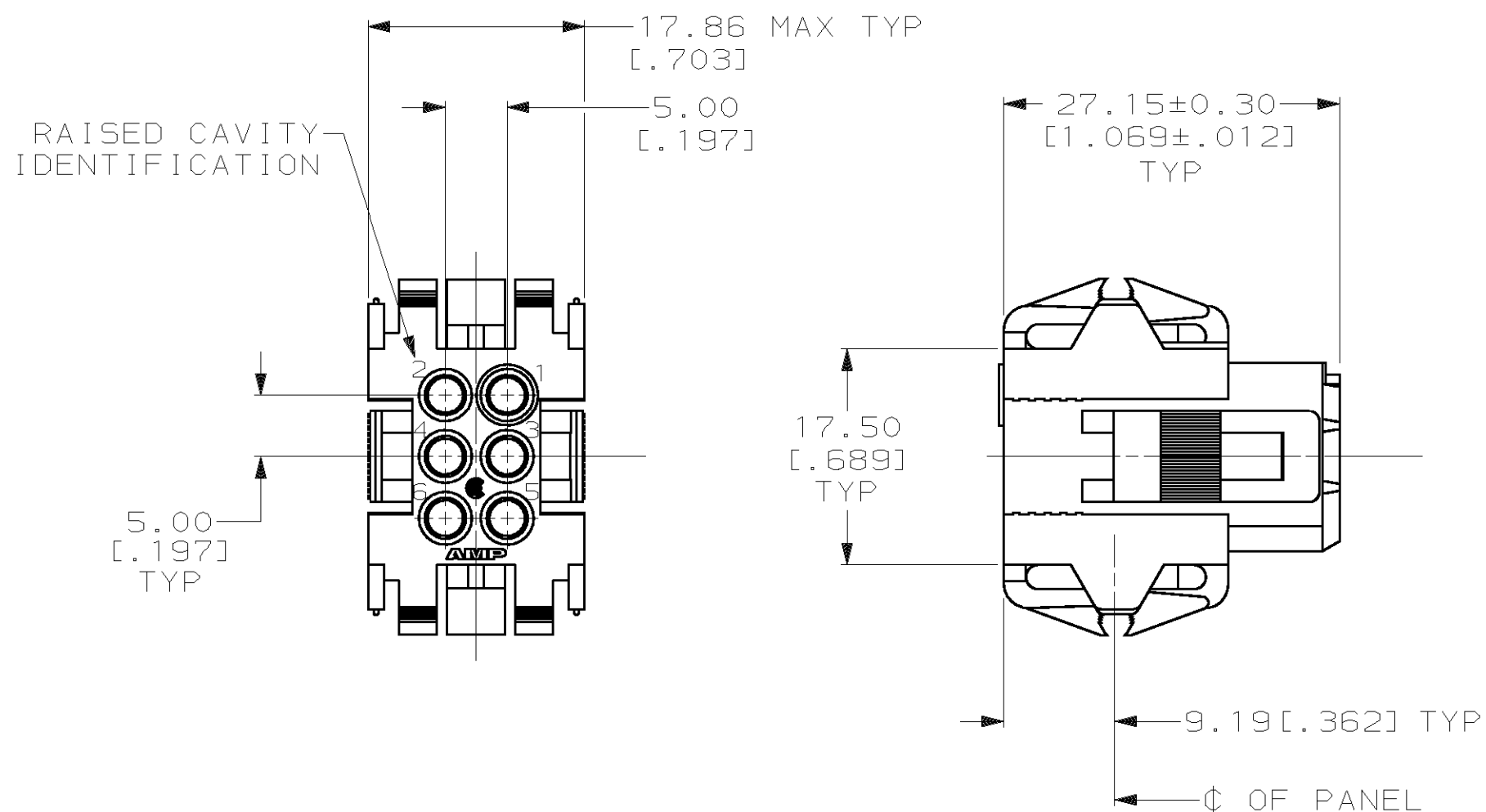


LOC	DIST	P	F	ZONE	LTR	REVISIONS	DATE	APPD
FT	0				U	REVISE PER ECN 063B-0002-01	25JAN01	SU/H5



PANEL CUTOUT

- PANEL RETENTION MECHANISM ACCOMMODATES PANEL THICKNESSES FROM 0.76 [0.030] TO 2.29 [0.090].
- SAME AS 207152-1 EXCEPT: ROUNDED EDGES ON THE OUTSIDE OF THE HOUSING AND A 45° ANGLE ON THE OUTSIDE OF THE HOUSING BY THE LOCKING LATCHES, REF 927674.

2	207152-2
	207152-1
	PART NUMBER

DO NOT SCALE PRINT. UNLESS SPECIFIED DIMENSIONS IN mm [INCHES] TOLERANCES ON:		DR 08/26/92 W.LENKER		AMP Incorporated Harrisburg, PA 17105-3608	
2 PLC DEC ± 0.25 [0.010]		CHK 8-31-92 R.STONE			
3 PLC DEC ± -		APPD 9-2-92 A.TRAVIS		NAME	
ANGLES ± -		APPD 9-3-92 C.ROHDE		HOUSING, PLUG, 6 POSITION, METRIMATE	
MATERIAL		PRODUCT SPEC			
NYLON, COLOR: RED		108-10033		SIZE	
FINISH		APPLICATION SPEC		CAGE CODE	
-		-		00779	
-		WEIGHT		DRAWING NO	
-		-		C-207152	
		SCALE		SHEET	
		2:1		1 OF 1	

THIS DRAWING IS A CONTROLLED DOCUMENT FOR AMP INCORPORATED. IT IS SUBJECT TO CHANGE AND THE CONTROLLING ENGINEERING ORGANIZATION SHOULD BE CONTACTED FOR THE LATEST REVISION.