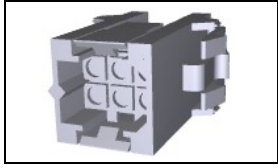


207153-1 Product Details



207153-1

TE Internal Number: 207153-1



5mm (.197") Centerline, 600 V, 14 A max. (Metrimate)

 Always EU RoHS/ELV Compliant (Statement of Compliance)

Product Highlights:

- Metrimate Product Line
- Wire-to-Board / Wire-to-Panel / Wire-to-Wire
- Applies To Panel, Applies To Printed Circuit Board, Applies To Wire/Cable
- Connector
- Housing

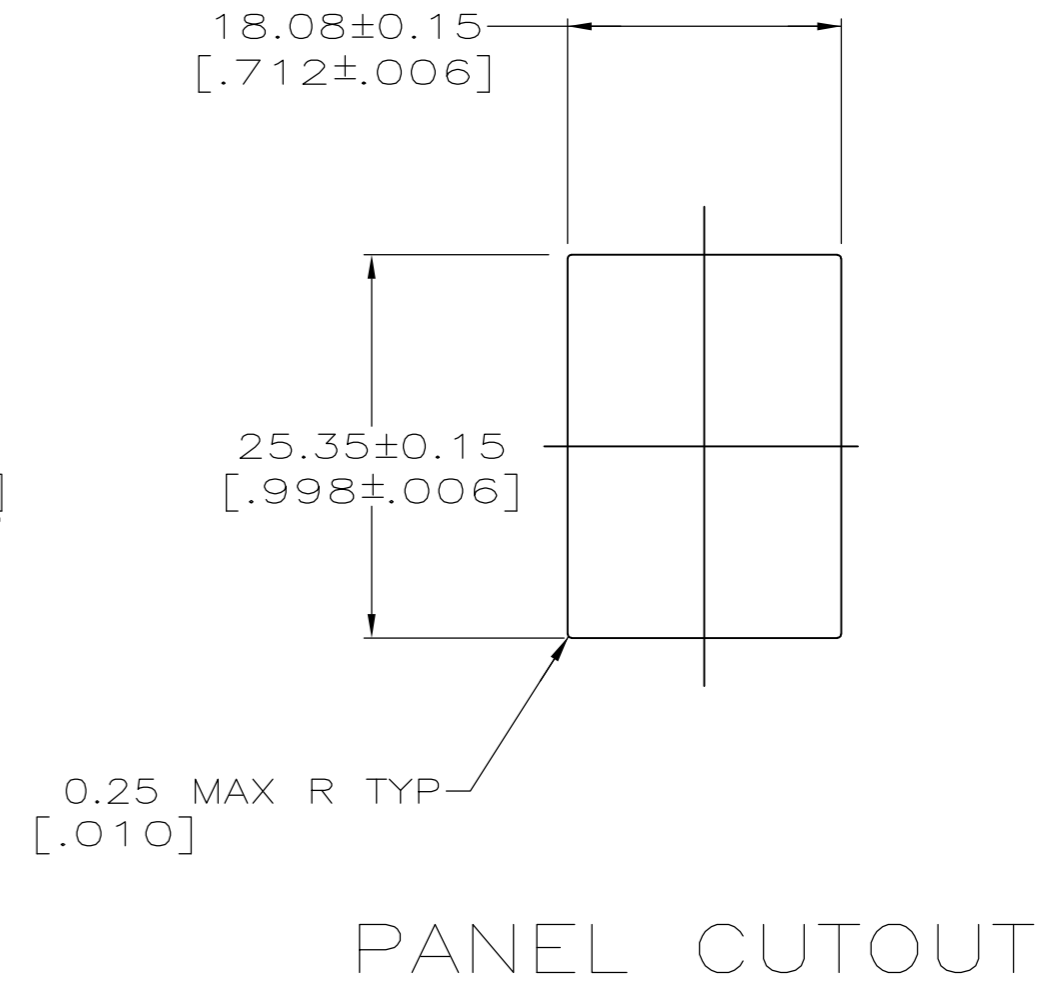
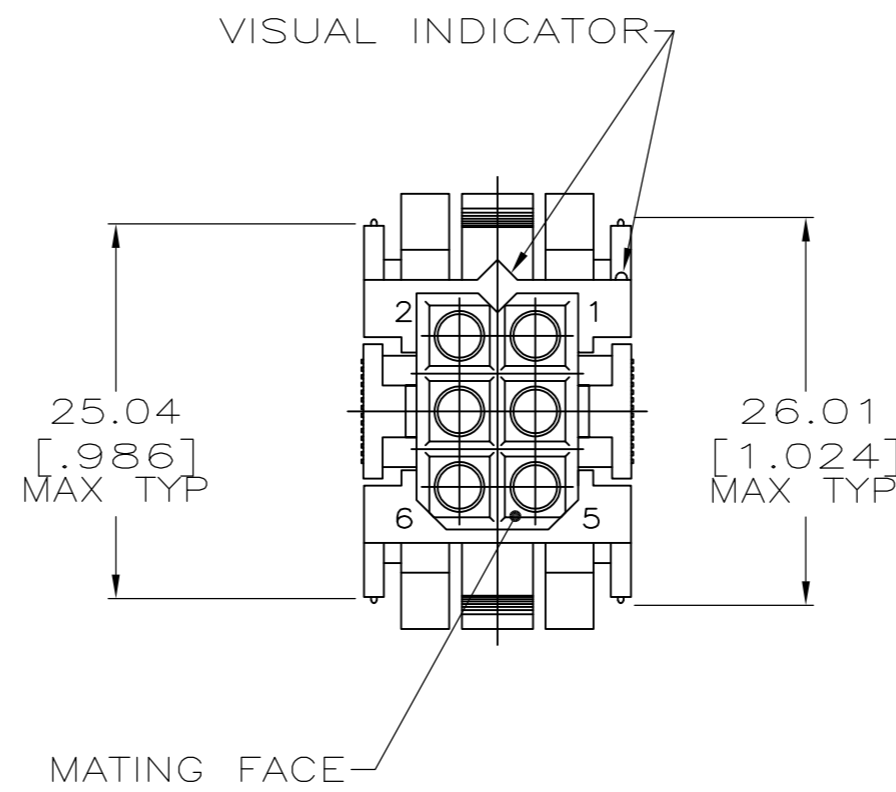
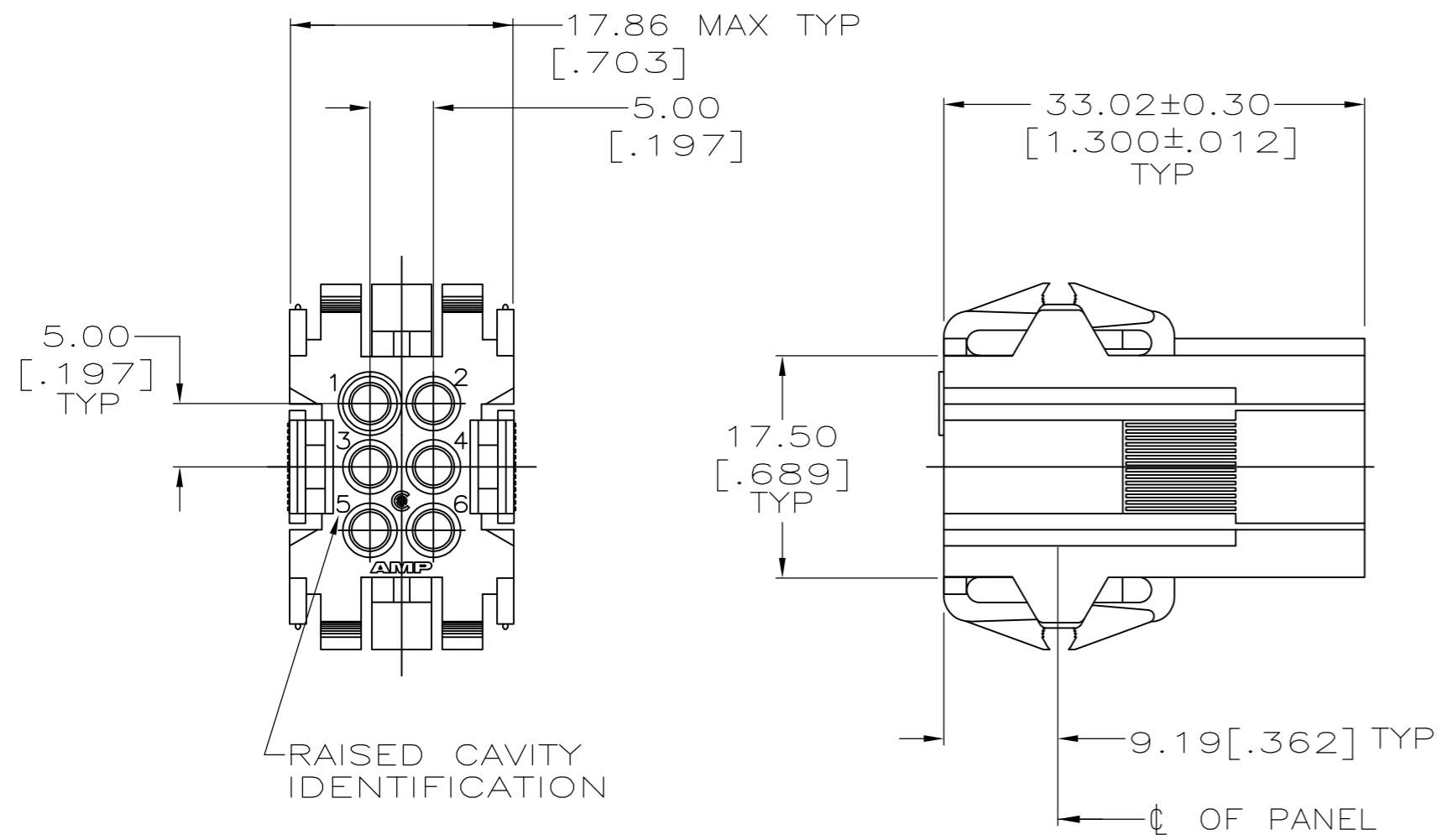
Documentation & Additional Information	
<p>Product Drawings:</p> <ul style="list-style-type: none"> • HOUSING, RECEPTACLE, 6 POSITION, METRIMATE (PDF, English) <p>Catalog Pages/Data Sheets:</p> <ul style="list-style-type: none"> • METRIMATE_PIN_SOCKET_CATALOG (PDF, English) <p>Product Specifications:</p> <ul style="list-style-type: none"> • None Available <p>Application Specifications:</p> <ul style="list-style-type: none"> • APPLICATION SPECIFICATION, METRIMATE DRAWER CONNECTORS (PDF, English) • Metrimate Self-Locking Connectors (PDF, English) • METRIMATE Self-Locking Connectors (PDF, Japanese) <p>Instruction Sheets:</p> <ul style="list-style-type: none"> • Self-Locking Metrimate Connectors (PDF, English) <p>CAD Files: (CAD Format & Compression Information)</p> <ul style="list-style-type: none"> • 2D Drawing (DXF, Version R1) • 3D Model (IGES, Version R1) • 3D Model (STEP, Version R1) 	<p>Additional Information:</p> <ul style="list-style-type: none"> • Product Line Information <p>Related Products:</p> <ul style="list-style-type: none"> • Tooling

Product Features (Please use the Product Drawing for all design activity)	
<p>Product Type Features:</p> <ul style="list-style-type: none"> • Product Line = Metrimate • Product Type = Connector • Connector Type = Housing • Wire/Cable Type = Discrete Wire • Termination Method to Wire/Cable = Crimp, Solder • UL File Number = E28476 • CSA File Number = LR 16455 <p>Mechanical Attachment:</p> <ul style="list-style-type: none"> • Mating Retention Type = Locking Tab • Panel Mount Retention = With • Panel Mount Retention Type = Latch(es) <p>Electrical Characteristics:</p> <ul style="list-style-type: none"> • Operating Voltage Reference = AC/DC • Operating Voltage (VAC) = 600 • Operating Voltage (VDC) = 600 <p>Dimensions:</p> <ul style="list-style-type: none"> • Panel Thickness (mm [in]) = 0.76 - 2.29 [0.030 - 0.090] <p>Body Features:</p> <ul style="list-style-type: none"> • Wire Type = Stranded • Mating Retention = With • Row-to-Row Spacing (mm [in]) = 5.00 [0.197] <p>Contact Features:</p> <ul style="list-style-type: none"> • Contact Type = Pin • Contact Layout = Matrix <p>Housina Features:</p>	<p>Configuration Features:</p> <ul style="list-style-type: none"> • Connector Configuration = Square Grid • Number of Positions = 6 • Number of Rows = 3 <p>Industry Standards:</p> <ul style="list-style-type: none"> • RoHS/ELV Compliance = RoHS compliant, ELV compliant • Lead Free Solder Processes = Not relevant for lead free process • RoHS/ELV Compliance History = Always was RoHS compliant • VDE Tested = Yes • Agency/Standard = UL, CSA • UL Rating = Recognized, Certified <p>Environmental:</p> <ul style="list-style-type: none"> • Operating Temperature (°C [°F]) = -55 - +130 [-67 - +266] <p>Conditions for Usage:</p> <ul style="list-style-type: none"> • Applies To = Panel, Printed Circuit Board, Wire/Cable • For Use With = Plug Housing, Socket Header <p>Operation/Application:</p> <ul style="list-style-type: none"> • Application Use = Wire-to-Board / Wire-to-Panel / Wire-to-Wire <p>Packaging Features:</p> <ul style="list-style-type: none"> • Packaging Method = Package • Packaging Quantity = 1 <p>Other:</p> <ul style="list-style-type: none"> • Brand = AMP

- Connector Style = Receptacle
- Housing Material = Nylon
- Housing Color = Red
- Mating Alignment = With
- Mating Alignment Type = Polarization
- Centerline (mm [in]) = 5.00 [0.197]
- UL Flammability Rating = UL 94V-0

THIS DRAWING IS UNPUBLISHED. RELEASED FOR PUBLICATION
 © COPYRIGHT - By - ALL RIGHTS RESERVED.

LOC		DIST		REVISIONS			
P	LTR	DESCRIPTION		DATE	DWN	APVD	
FT	0	R2	REVISED PER ECO-11-005027		11MAR11	RK	HMR



- 1. PANEL RETENTION MECHANISM ACCOMMODATES PANEL THICKNESSES FROM 0.76[.030] TO 2.29[.090].
- 2 SAME AS 207153-1 EXCEPT: ROUNDED EDGES ON THE OUTSIDE OF THE HOUSING AND A 45° ANGLE ON THE OUTSIDE OF THE HOUSING BY THE LOCKING LATCHES, REF 927673.
- 3 OBSOLETE PART NUMBER.

3	2	207153-2
		207153-1
PART NUMBER		

THIS DRAWING IS A CONTROLLED DOCUMENT.		DWN W.LENKER 08/26/92	TE TE Connectivity	
DIMENSIONS: mm [INCHES]		CHK R.STONE 8-31-92		
TOLERANCES UNLESS OTHERWISE SPECIFIED:		APVD -	NAME	
0 PLC ± -		PRODUCT SPEC	HOUSING, RECEPTACLE, 6 POSITION, METRIMATE	
1 PLC ± -		APPLICATION SPEC	-	
2 PLC ± 0.25 [.010]		SIZE	CAGE CODE	DRAWING NO
3 PLC ± -		A2	00779	C=207153
4 PLC ± -		WEIGHT	RESTRICTED TO	
ANGLES ± -		-	-	
FINISH		CUSTOMER DRAWING	SCALE	SHEET
NYLON, COLOR: RED		-	2:1	1 of 1
			REV	R2