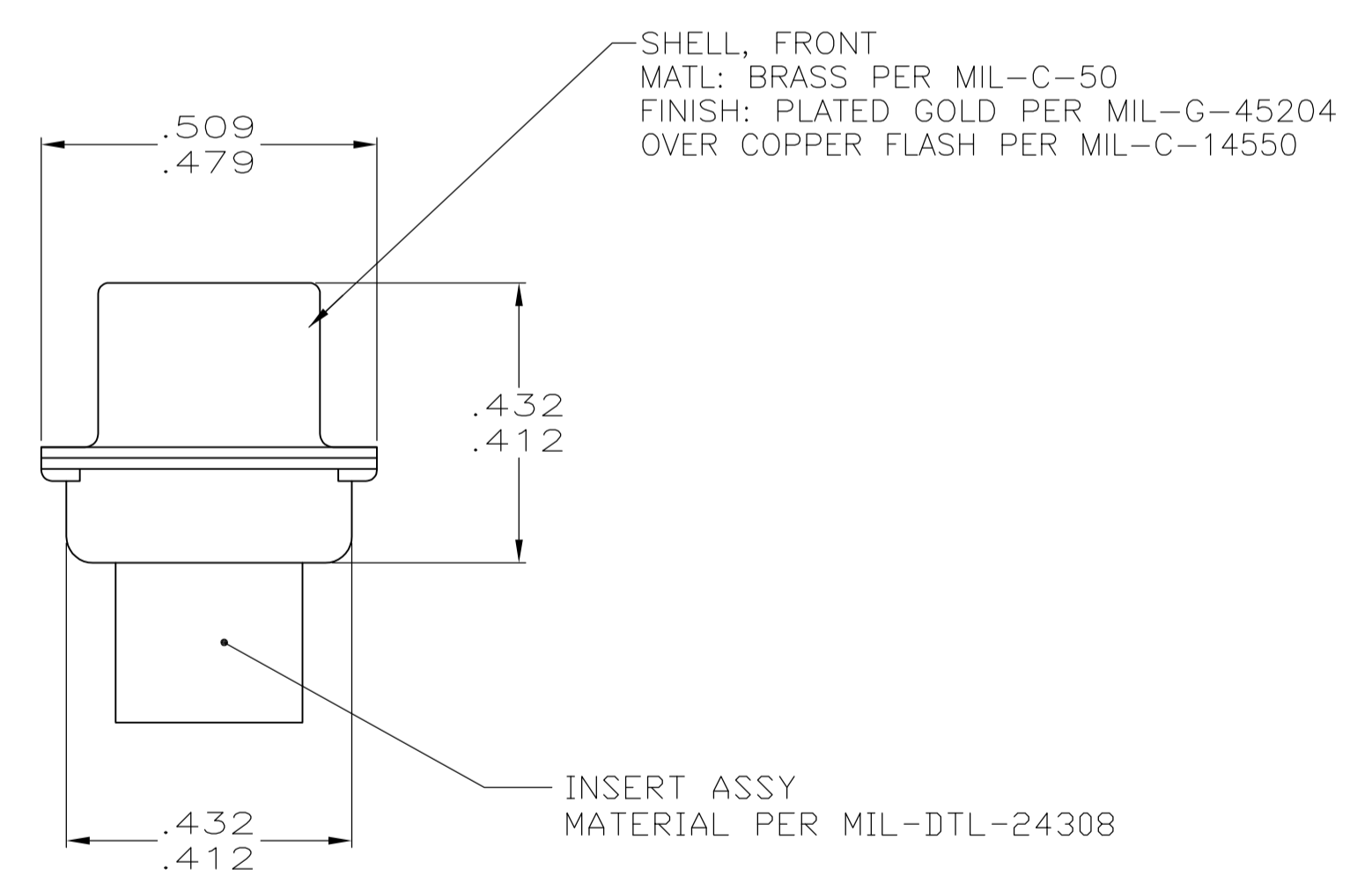
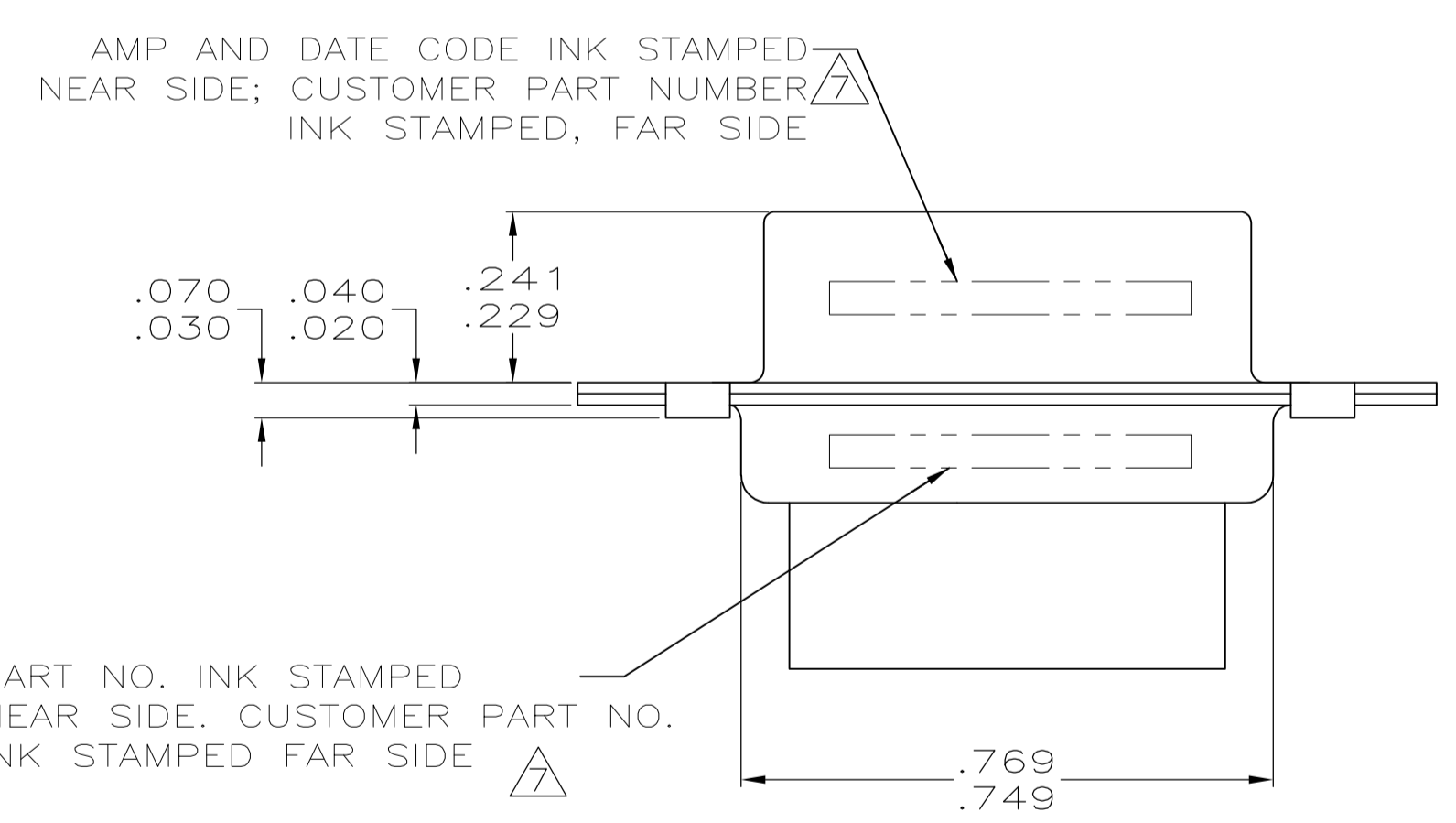
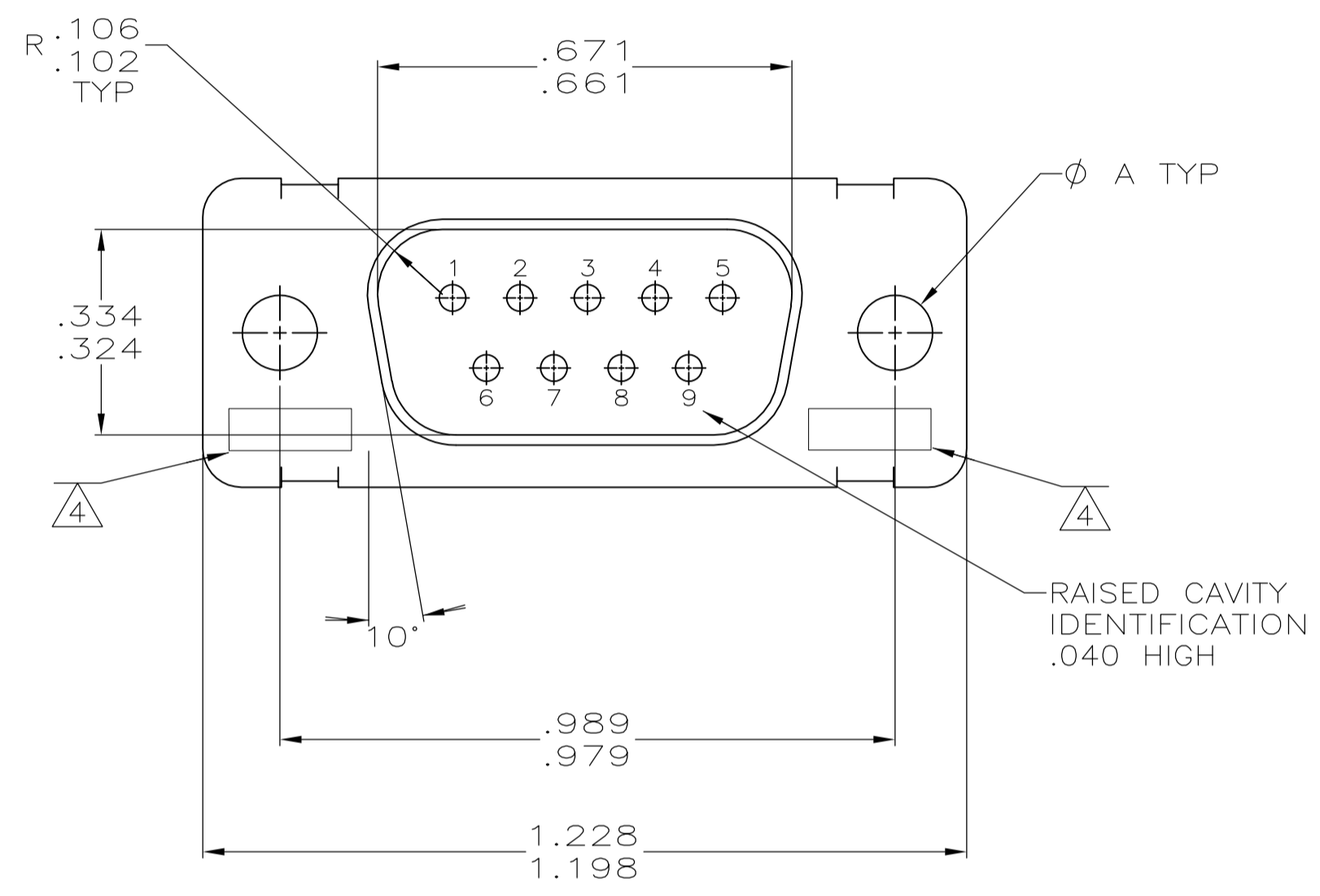


LOC		DIST		REVISIONS			
P	LTR	DESCRIPTION	DATE	DNW	APVD	CT	CD
N	REV PER ECO	15-016064	11-9-15	CT	CD		



1. THIS PLUG WILL MATE WITH ANY RECEPTACLE CONNECTOR WITH THE SAME INSERT ARRANGEMENT AS DEFINED BY MS18273-1.
  2. MAXIMUM WIRE INSULATION USED WITH THIS PLUG IS .072 DIA.
  3. BE CU RETENTION CLIPS ARE INCLUDED IN INSERTS.
  4. UL/CSA DESIGNATION STAMPED IN THIS AREA.
  5. THESE CONNECTORS ARE QUALIFIED TO GODDARD SPACE FLIGHT CENTER SPECIFICATION S-311-P-4.
  6. CONNECTOR SUPPLIED WITHOUT CONTACTS; SHOWN FOR DIMENSIONAL REFERENCE ONLY.
- △ CUSTOMER PART NUMBER MAY BE SPLIT BETWEEN FRONT AND REAR SHELLS, SAME SIDE. FAR SIDE REFERS TO WIDE SIDE OF KEYSTONE, NEAR SIDE REFERS TO NARROW SIDE OF KEYSTONE.
- △ RESTRICTED TO CAE ELECTRONICS ONLY.

		.120	570513-6	207252-6	207252-6
	5 8	.120	311P409-1P-B-12	207252-2	207252-5
OBS		.120	2A014-001V-001	207252-4	207252-4
OBS		.120	---	207252-3	207252-3
	5	.120	311P409-1P-B-12	207252-2	207252-2
	5	.154	311P409-1P-B-15	207252-1	207252-1
	REMARKS	A	INK STAMP CUSTOMER P/N	INK STAMP PART NUMBER	PART NUMBER

THIS DRAWING IS A CONTROLLED DOCUMENT.

THOMPSON 08-12-93  
 THOMPSON 08-19-93  
 F. KINSEY 08-19-93  
 F. KINSEY 08-19-93

TE Connectivity

PLUG FOR PIN CONTACTS  
 SERIES 109, SIZE 1, NONMAGNETIC  
 9 POSITION

SIZE: A1 00779 C=207252  
 SCALE: 4:1 SHEET 1 OF 1 REV N