

Distributed by:

JAMECO[®]
ELECTRONICS

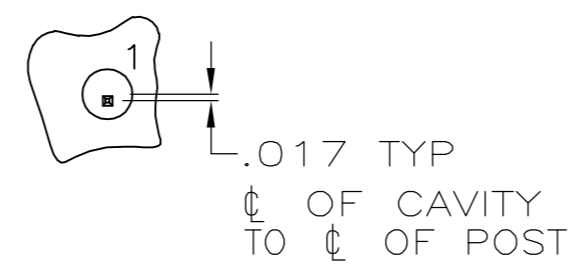
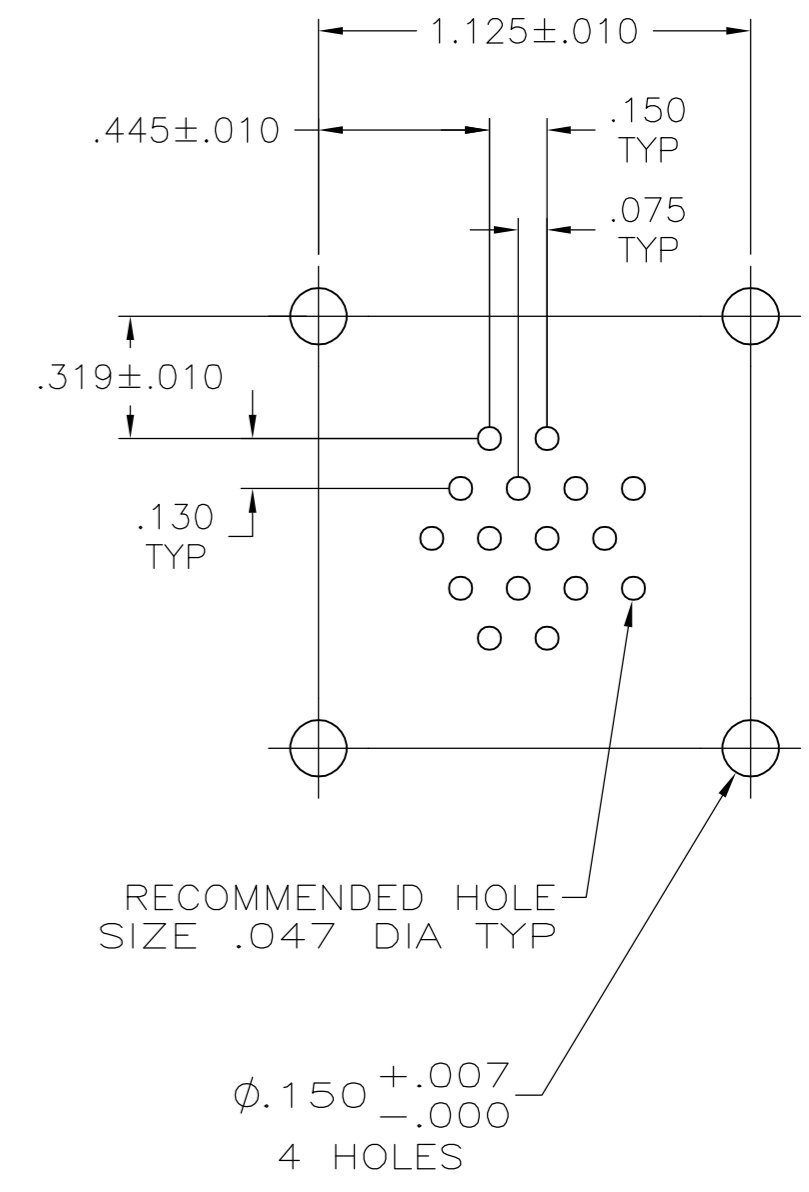
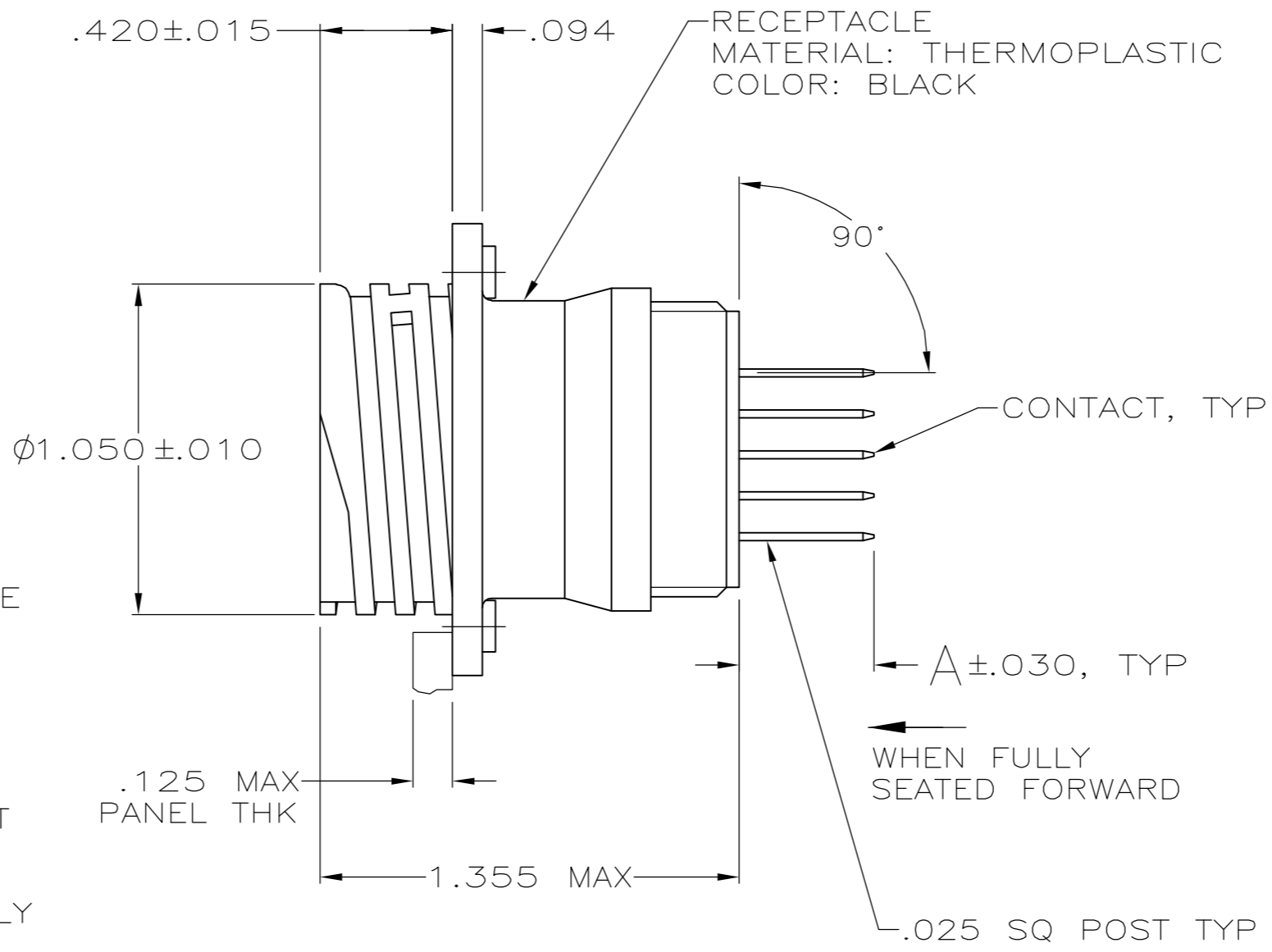
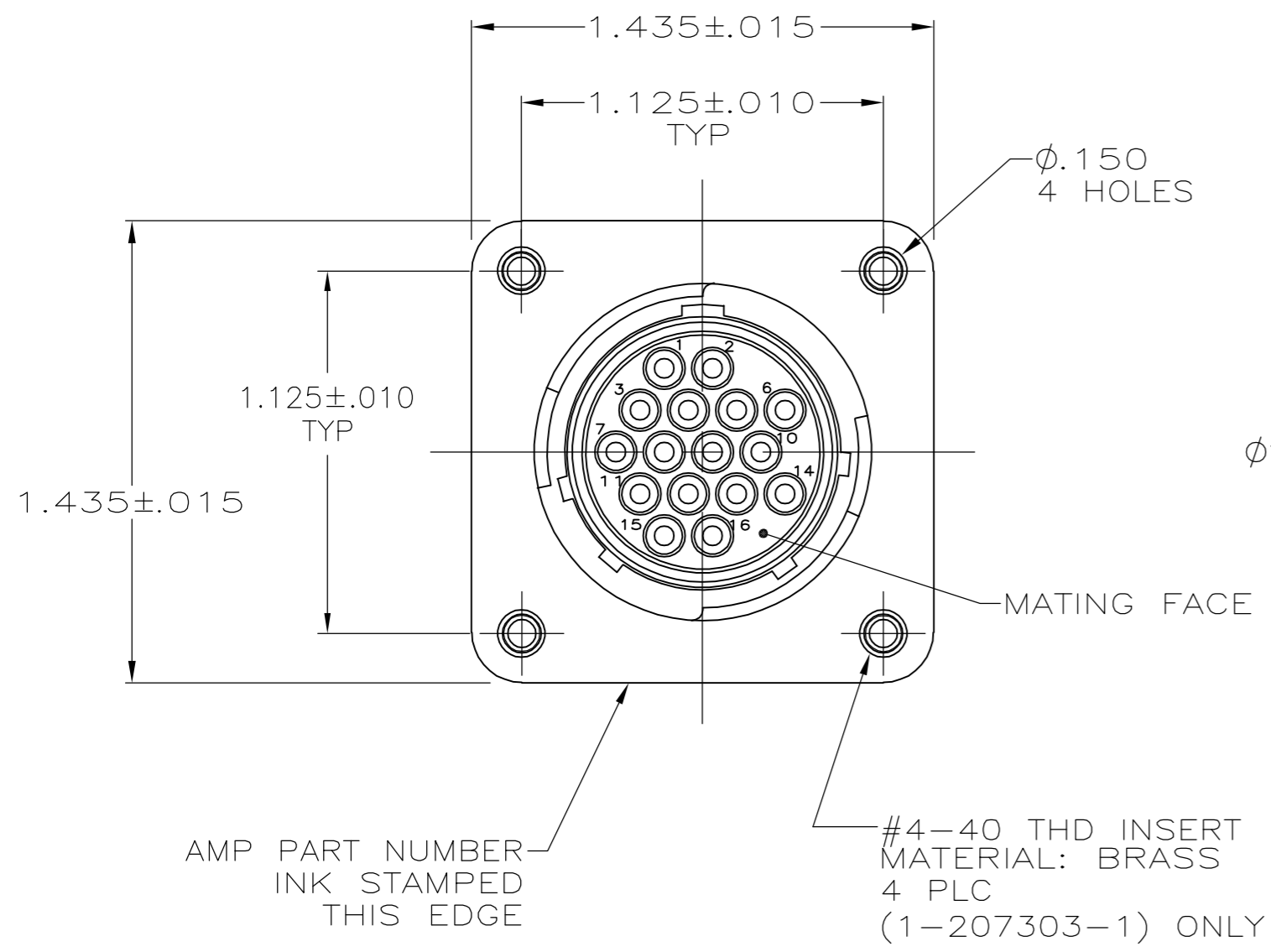
www.Jameco.com ♦ 1-800-831-4242

The content and copyrights of the attached
material are the property of its owner.

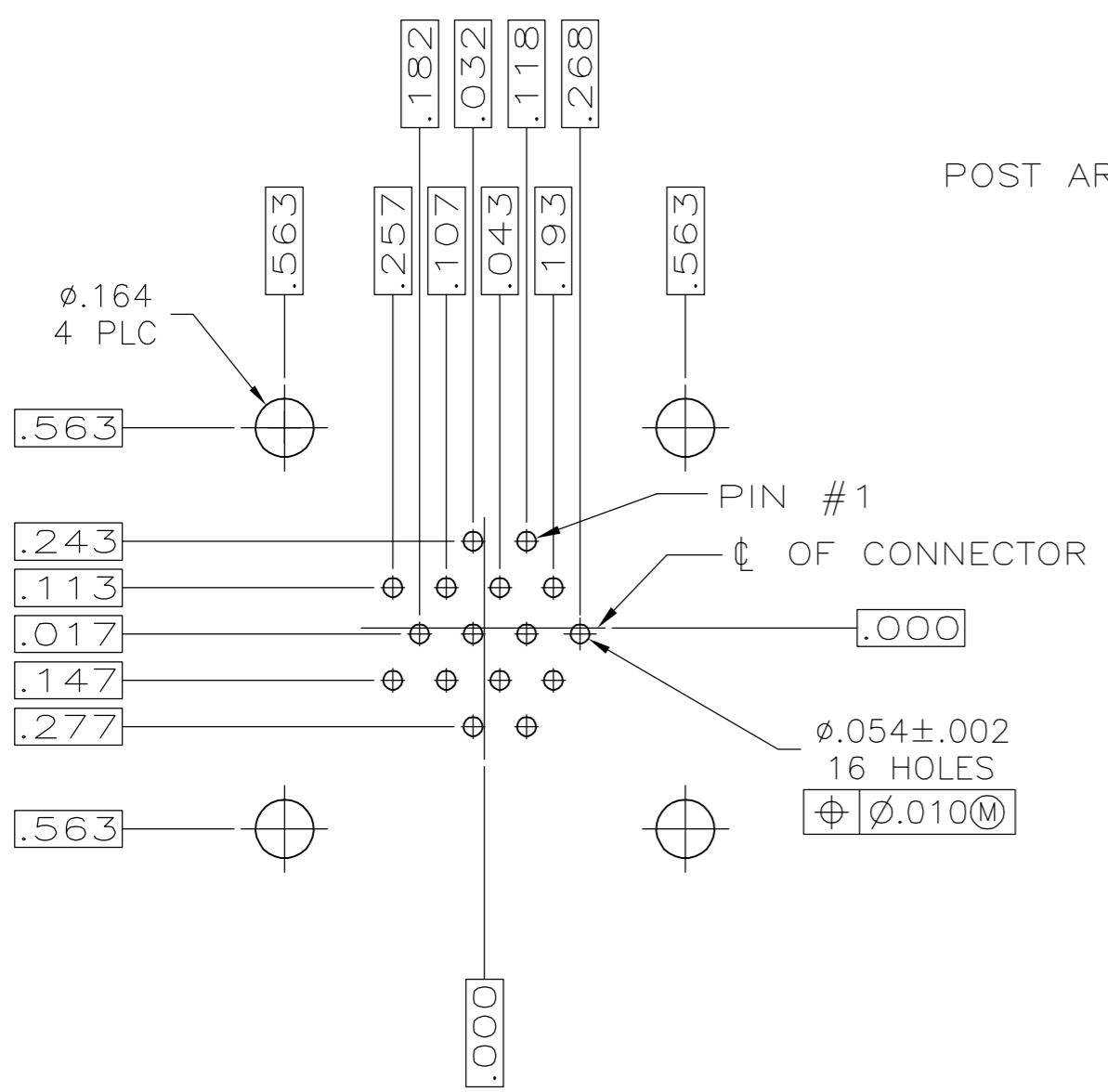
Jameco Part Number 1965074

THIS DRAWING IS UNPUBLISHED. RELEASED FOR PUBLICATION
 © COPYRIGHT BY TYCO ELECTRONICS CORPORATION. ALL RIGHTS RESERVED.

LOC		DIST		REVISIONS			
P	LTR	DESCRIPTION	DATE	DWN	APVD		
FT	0						
S		REVISED PER ECO-05-16901	1/5/06	SS	SH		



POST ARRANGEMENT ON REAR FACE



RECOMMENDED P.C. BOARD LAYOUT
 BOTTOM NON-COMPONENT SIDE

1. CONNECTOR WILL ACCEPT POSTED TYPE III+ PIN CONTACTS.

NO	NO	TIN	TIN	.220	1-207303-5
NO	YES	TIN	GOLD	.220	1-207303-4
NO	NO	TIN	GOLD	.220	1-207303-3
YES	NO	TIN-LEAD	GOLD	.220	1-207303-2
NO	YES	TIN-LEAD	GOLD	.220	1-207303-1
NO	NO	TIN-LEAD	GOLD	.220	207303-3
NO	NO	TIN-LEAD	TIN	.220	207303-1
PERIPHERAL SEAL	THREADED INSERTS	CONTACT POST FINISH	CONTACT BODY FINISH	A	PART NUMBER

THIS DRAWING IS A CONTROLLED DOCUMENT.		DWN	7-2-91	tyco Electronics		Tyco Electronics Corporation Harrisburg, PA 17105-3608	
DIMENSIONS: INCHES		CHK	4-14-92	NAME		RECEPTACLE ASSEMBLY, POSTED, STD SEX, SERIES 1, 17-16, CPC	
TOLERANCES UNLESS OTHERWISE SPECIFIED:		APVD	-	PRODUCT SPEC		RESTRICTED TO	
0 PLC ± -		W.G.LENKER		108-10024		SIZE CAGE CODE DRAWING NO	
1 PLC ± -		-		APPLICATION SPEC		A2 00779 C=207303	
2 PLC ± -		-		-		SCALE 2:1 SHEET 1 of 1	
3 PLC ± .005		-		WEIGHT -		REV S	
4 PLC ± -		-		CUSTOMER DRAWING		-	
ANGLES ± 2°		-		-		-	
FINISH		-		-		-	
SEE CALLOUT		SEE TABLE		-		-	