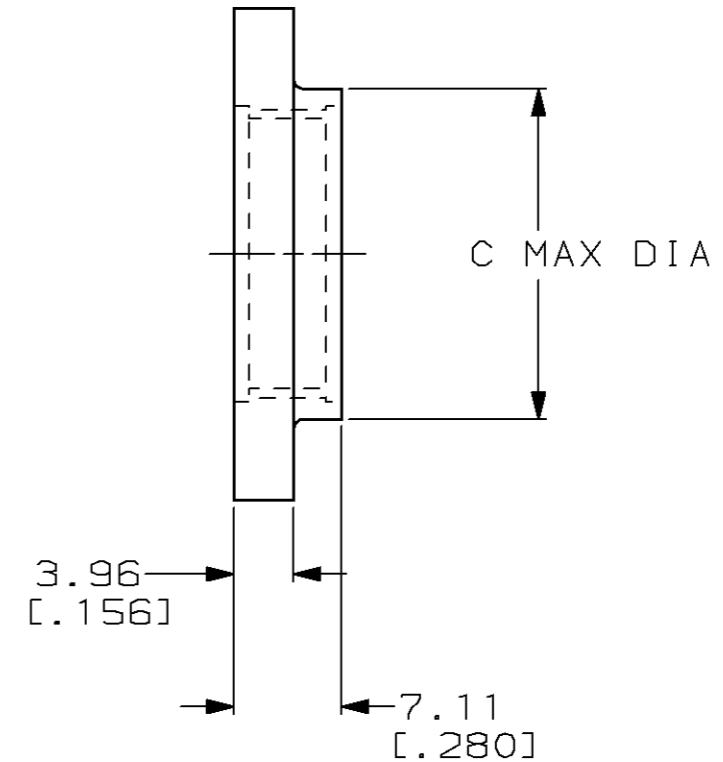
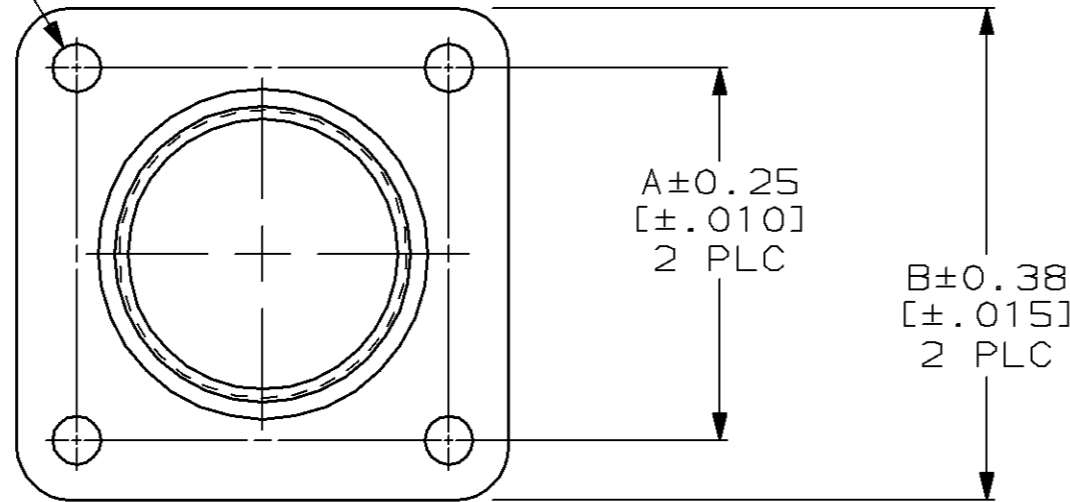


THIS DRAWING IS UNPUBLISHED. RELEASED FOR PUBLICATION, 19 .
 © COPYRIGHT 19 BY AMP INCORPORATED. ALL INTERNATIONAL RIGHTS RESERVED.

MOD	LOC	DIST	P	F	ZONE	LTR	DESCRIPTION	DATE	APPD
4	BD	35				A	REDRAWN W/O CHANGE PER EC 0020-569-94	05/20/94	-

D±0.08 DIA
 [±.003]
 4 HOLES



23	3.81 [.150]	38.35 [1.510]	44.45 [1.750]	36.53 [1.438]	207299-4
17	3.81 [.150]	28.19 [1.110]	36.45 [1.435]	28.58 [1.125]	207299-3
13	3.18 [.125]	22.22 [.875]	32.51 [1.280]	24.61 [.969]	207299-2
11	3.18 [.125]	19.05 [.750]	28.58 [1.125]	21.44 [.844]	207299-1
SIZE	D	C	B	A	PART NO

DO NOT SCALE PRINT. UNLESS SPECIFIED DIMENSIONS IN mm [INCHES] TOLERANCES ON: 2 PLC DEC ± 0.13 [.005] 3 PLC DEC ± - ANGLES ± -	DR 05/20/94 D.HARDY	AMP AMP Incorporated Harrisburg, PA 17105-3608
	CHK 05/20/94 R.STONE	
	APPD 07/13/94 A.FRANTUM	
	APPD 07/13/94 A.FRANTUM	
MATERIAL NYLON, BLACK	PRODUCT SPEC -	NAME FLANGE, PLUG, CPC
FINISH -	APPLICATION SPEC -	SIZE B
THIS DRAWING IS A CONTROLLED DOCUMENT FOR AMP INCORPORATED. IT IS SUBJECT TO CHANGE AND THE CONTROLLING ENGINEERING ORGANIZATION SHOULD BE CONTACTED FOR THE LATEST REVISION.	WEIGHT -	CAGE CODE 00779
		DRAWING NO C-207299
		SCALE 2:1
		SHEET 1 OF 1