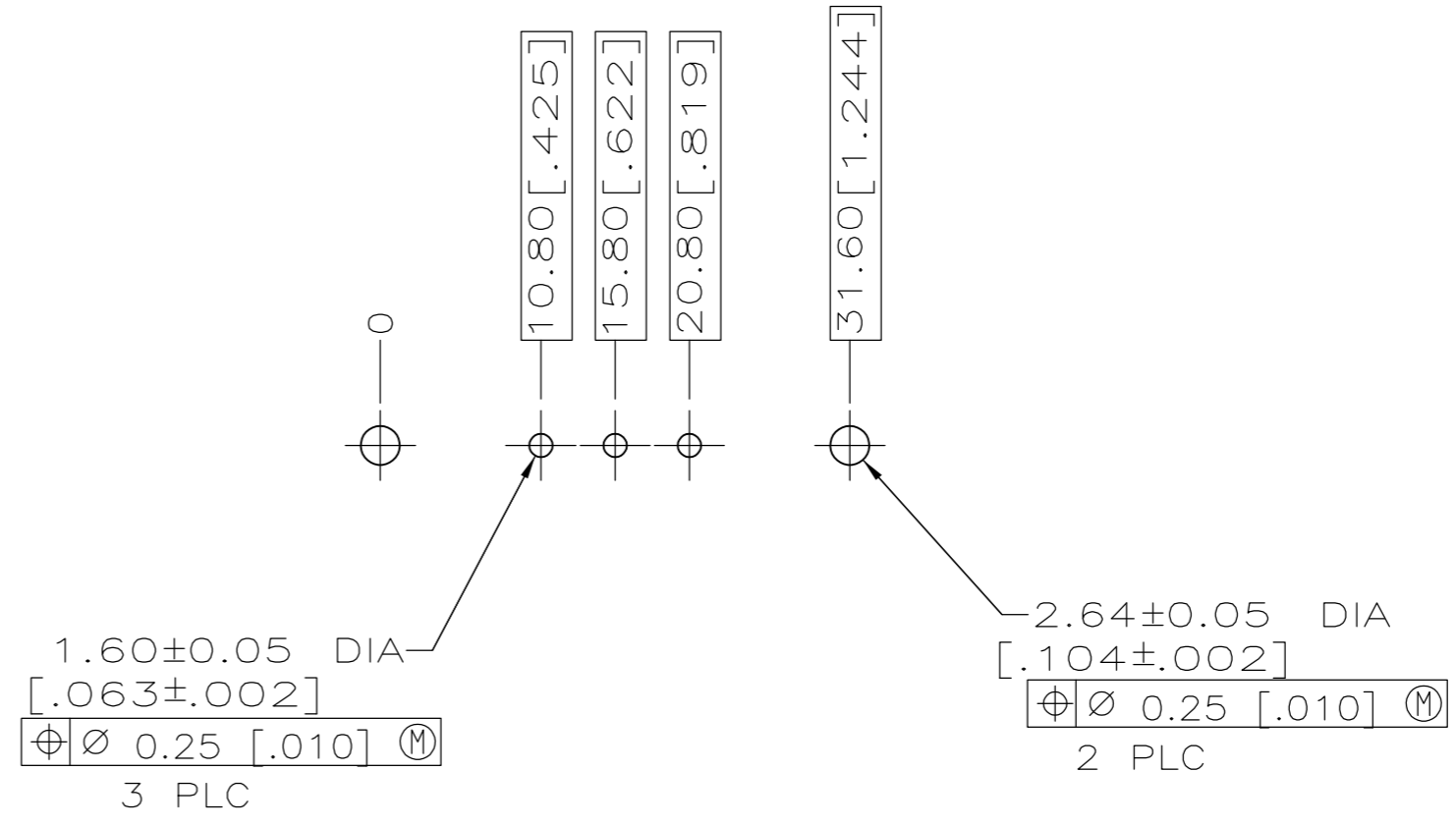
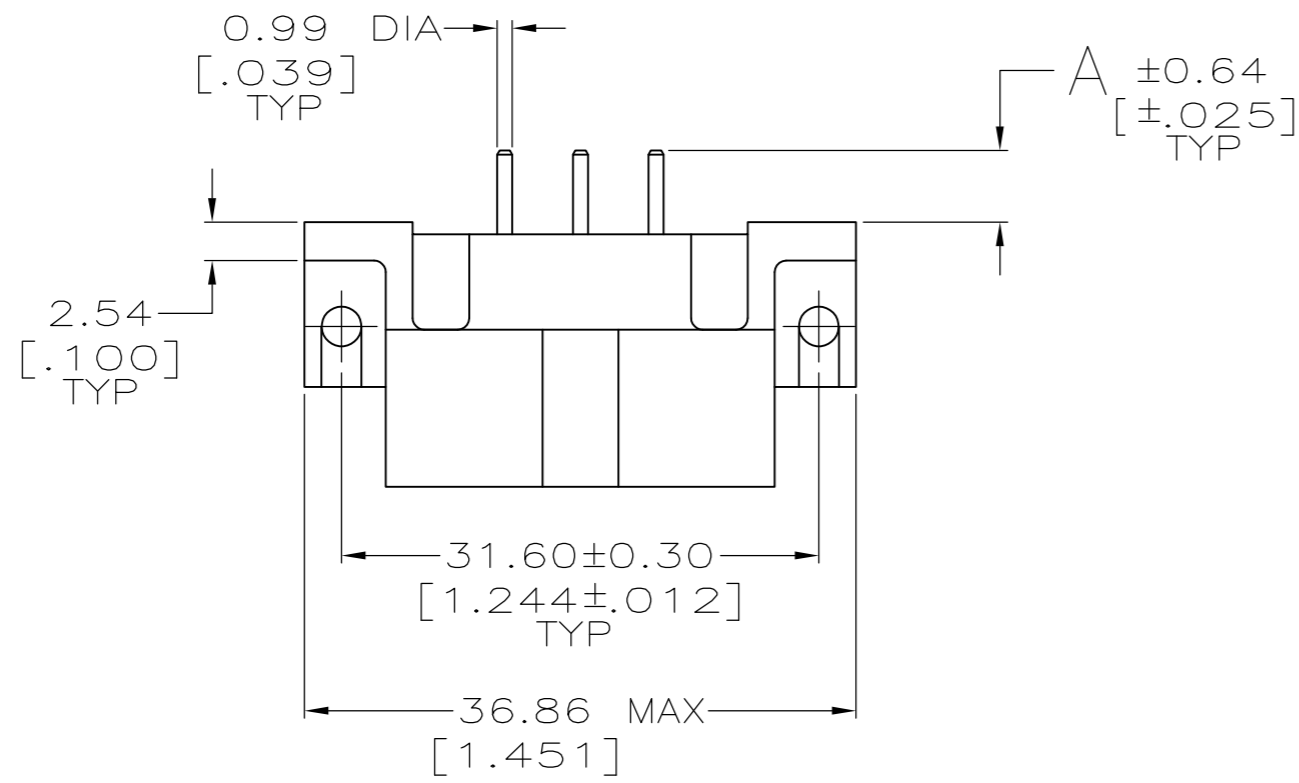
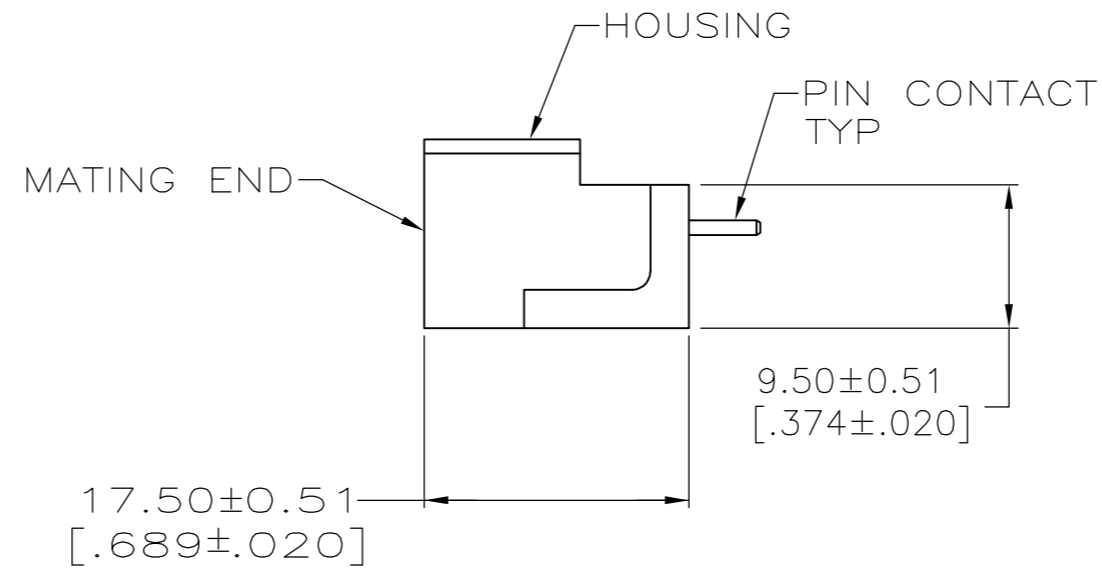
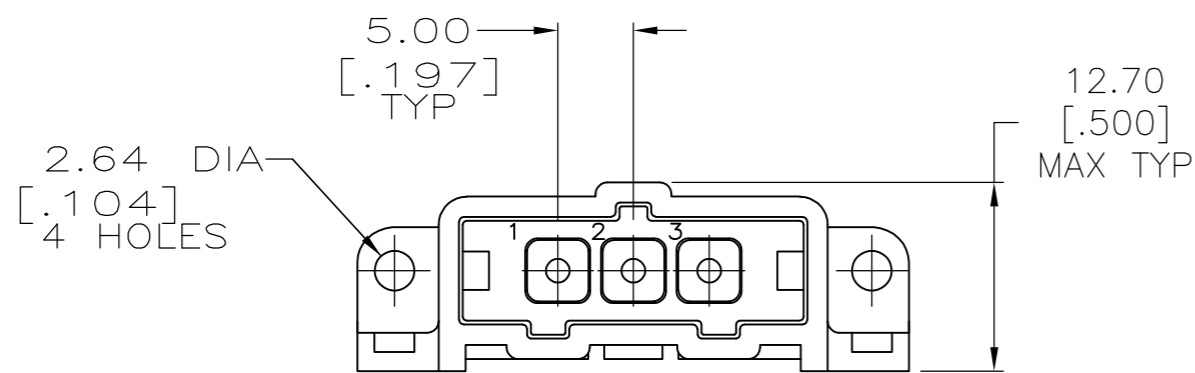


THIS DRAWING IS UNPUBLISHED. RELEASED FOR PUBLICATION
 © COPYRIGHT BY TYCO ELECTRONICS CORPORATION. ALL RIGHTS RESERVED.

LOC	DIST	REVISIONS			
P	LTR	DESCRIPTION	DATE	DWN	APVD
FT	0	L1	REVISED PER ECO-08-029974	03DEC08	HMR GS



RECOMMENDED PC BOARD LAYOUT



- 1 NYLON, RED.
- 2 BRASS PER ASTM B36.
- 3 3.81um [.000150] MIN TIN-LEAD OVER 2.54um [.000100] MIN COPPER OR 1.27um [.000050] MIN NICKEL.
- 4 0.76um [.000030] MIN GOLD FOR A LENGTH OF 5.08 [.200] MIN FROM MATING END 3.81um [.000150] MIN TIN-LEAD FOR A LENGTH OF 5.36 [.211] MIN FROM OPPOSITE END, BOTH OVER 1.27um [.000050] MIN NICKEL.
- 5 .000150 MIN TIN OVER .000100 MIN CU, OR .000050 MIN NICKEL.
- 6 0.76um [.000030] MIN GOLD FOR A LENGTH OF 5.08 [.200] MIN FROM MATING END 3.81um [.000150] MIN TIN FOR A LENGTH OF 5.36 [.211] MIN FROM OPPOSITE END, BOTH OVER 1.27um [.000050] MIN NICKEL.
- 7 PRELIMINARY PART NUMBER.

7	3.50 [.137]	6	1-207365-0
	7.52 [.296]	6	207365-9
	4.72 [.186]	6	207365-8
	4.72 [.186]	5	207365-7
	7.52 [.296]	4	207365-6
	4.72 [.186]	4	207365-3
	4.72 [.186]	3	207365-1
	A	FINISH	PART NUMBER

THIS DRAWING IS A CONTROLLED DOCUMENT.		DWN L.SIPE 07/20/92	Tyco Electronics Corporation Harrisburg, Pa 17105-3608	
DIMENSIONS: mm [INCHES]		CHK R.STONE 7-24-92	NAME	
TOLERANCES UNLESS OTHERWISE SPECIFIED:		APVD A.TRAVIS 7-24-92	PIN HEADER ASSEMBLY, 3 POSN, IN-LINE, SMALL METRIC CONNECTOR, METRIMATE	
0 PLC ± - 1 PLC ± - 2 PLC ± 0.25 [.010] 3 PLC ± - 4 PLC ± - ANGLES ± -		PRODUCT SPEC -	SIZE A2	CAGE CODE 00779
MATERIAL HOUSING: 1 CONTACTS: 2		APPLICATION SPEC -	DRAWING NO C=207365	RESTRICTED TO -
FINISH CONTACTS: SEE TABLE		WEIGHT -	SCALE 2:1	SHEET 1 OF 1
CUSTOMER DRAWING		REV L1		